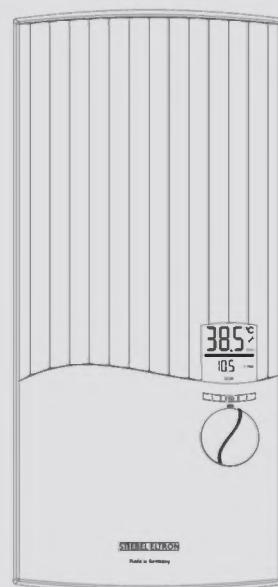


OPERATION AND INSTALLATION
OBSLUHA A INSTALACE
OBSŁUGA I INSTALACJA
PËRDORIMI DHE INSTALIMI
РАКУВАЊЕ И ИНСТАЛАЦИЈА
ОБСЛУЖВАНЕ И ИНСТАЛИРАНЕ
ЭКСПЛУАТАЦИЈА И УСТАНОВКА

Fully electronically controlled comfort instantaneous water heater with Mini FFB wireless remote control | Plně elektronicky regulovaný komfortní průtokový ohřivač s tlačítkem bezdrátového ovládání Mini-FFB | Całkowicie elektronicznie regulowany komfortowy przepływowy ogrzewacz wody ze zdalnym sterowaniem Mini-FFB | Nxehësi i rrjedhjes komode i kontrolluar në mënyrë të plotë nga sistemi elektronik me butonin me valë Mini-FFB | Електронски регулиран удобен проточен грејач со радиотастер Mini-FFB | Изцяло електронно регулиран комфортен проточен бойлер с безжичен превключвател Mini-FFB | Проточный нагреватель повышенной комфортности с электронной системой полного регулирования и пультом дистанционного управления Mini-FFB

» PER 18/21/24



STIEBEL ELTRON

SPECIAL INFORMATION

OPERATION

1. General information	3
1.1 Safety instructions	3
1.2 Other symbols in this documentation	3
1.3 Units of measurement	4
2. Safety	4
2.1 Intended use	4
2.2 General safety instructions	4
2.3 Test symbols	4
3. Appliance description	4
4. Settings	5
4.1 Settings and displays on the appliance	5
4.2 Settings in the INFO menu	6
4.3 Settings on the wireless remote control	8
4.4 Further functions	8
4.5 Recommended settings	8
5. Cleaning, care and maintenance	8
6. Troubleshooting	8

INSTALLATION

7. Safety	9
7.1 General safety instructions	9
7.2 Shower operation	9
7.3 Instructions, standards and regulations	9
8. Appliance description	10
8.1 Standard delivery	10
9. Preparation	10
9.1 Installation location	10
9.2 Water installation	10
10. Installation	11
10.1 Standard installation	11
10.2 Alternative installation methods	13
10.3 Completing the installation	14
10.4 Installation of wireless remote control	15
11. Commissioning	15
11.1 Initial start-up	15
11.2 Recommissioning	15
12. Appliance shutdown	15
13. Troubleshooting	16
13.1 Customer service mode	16
14. Maintenance	17
15. Specification	17
15.1 Dimensions and connections	17
15.2 Wiring diagrams	18
15.3 Factory settings	18
15.4 DHW output	18
15.5 Application areas / Conversion table	18
15.6 Pressure drop	18
15.7 Fault conditions	18
15.8 Energy consumption data	19
15.9 Data tables	19

GUARANTEE

ENVIRONMENT AND RECYCLING

SPECIAL INFORMATION

- The appliance may be used by children aged 3 and older and persons with reduced physical, sensory or mental capabilities or a lack of experience and know-how, provided that they are supervised or they have been instructed on how to use the appliance safely and have understood the potential risks. Children must never play with the appliance. Children must never clean the appliance or perform user maintenance unless they are supervised.
- The tap can reach temperatures of up to 60 °C. There is a risk of scalding at outlet temperatures in excess of 43 °C.
- The appliance is suitable for supplying a shower (shower operation). If the appliance is also or exclusively used for shower operation, the qualified contractor must limit the temperature setting range using the temperature limit (55 °C or lower) in the appliance. When using preheated water, it must be ensured that the inlet temperature does not exceed 55 °C.
- Ensure the appliance can be separated from the power supply by an isolator that disconnects all poles with at least 3 mm contact separation.
- The specified voltage must match the power supply.
- The appliance must be connected to the earth conductor.
- The appliance must be permanently connected to fixed wiring.
- Secure the appliance as described in chapter "Installation / Installation".
- Observe the maximum permissible pressure (see chapter "Installation / Specification / Data table").

- The specific water resistivity of the mains water supply must not be undershot (see chapter "Installation / Specification / Data table").
- Drain the appliance as described in chapter "Installation / Maintenance / Draining the appliance".

OPERATION

1. General information

The chapters "Special information" and "Operation" are intended for both users and qualified contractors.

The chapter "Installation" is intended for qualified contractors.



Note

Read these instructions carefully before using the appliance and retain them for future reference. Pass on the instructions to a new user if required.

1.1 Safety instructions

1.1.1 Structure of safety instructions



KEYWORD Type of risk

Here, possible consequences are listed that may result from failure to observe the safety instructions.

► Steps to prevent the risk are listed.

1.1.2 Symbols, type of risk

Symbol	Type of risk
	Injury
	Electrocution
	Burns (burns, scalding)

1.1.3 Keywords



KEYWORD	Meaning
DANGER	Failure to observe this information will result in serious injury or death.
WARNING	Failure to observe this information may result in serious injury or death.
CAUTION	Failure to observe this information may result in non-serious or minor injury.

1.2 Other symbols in this documentation




Note

General information is identified by the adjacent symbol. ► Read these texts carefully.

Symbol	Meaning
	Material losses (appliance damage, consequential losses and environmental pollution)
	Appliance disposal

► This symbol indicates that you have to do something. The action you need to take is described step by step.

1.3 Units of measurement

 **Note**
All measurements are given in mm unless stated otherwise.

2. Safety


2.1 Intended use

This pressurised appliance is suitable for heating domestic hot water or for reheating preheated water. The appliance can supply one or more draw-off points.


The appliance is intended for domestic use. It can be used safely by untrained persons. The appliance can also be used in non-domestic environments, e.g. in small businesses, as long as it is used in the same way.


Any other use beyond that described shall be deemed inappropriate. Observation of these instructions and of the instructions for any accessories used is also part of the correct use of this appliance.

2.2 General safety instructions


 **Note**
The remote temperature control has a lithium button cell as a battery for the power supply.
Remove spent batteries. Leaking batteries cause damage which is excluded from any warranty. Do not charge non-rechargeable batteries.
Never use rechargeable batteries.
If the appliance is not used for a prolonged period, remove the battery (see chapter "Troubleshooting / Replacing the battery in the remote temperature control").

 **CAUTION Burns**
The tap can reach temperatures of up to 60 °C. There is a risk of scalding at outlet temperatures in excess of 43 °C.

 **CAUTION Burns**
If operating with preheated water, e.g. from a solar thermal system, the DHW temperature may vary from the selected set temperature.

 **WARNING Injury**
The appliance may be used by children aged 3 and older and persons with reduced physical, sensory or mental capabilities or a lack of experience and know-how, provided that they are supervised or they have been instructed on how to use the appliance safely and have understood the potential risks. Children must never play with the appliance. Children must never clean the appliance or perform user maintenance unless they are supervised.

Where children or persons with limited physical, sensory or mental abilities are allowed to use this appliance, we recommend a permanent temperature limit. A qualified contractor can set the limit for you.

 **Material losses**
The user should protect the appliance and its tap against frost.

2.3 Test symbols

See type plate on the appliance.

3. Appliance description


The appliance heats water as it flows through it. The DHW outlet temperature can be variably adjusted at the temperature selector. From a certain flow rate, the control unit regulates the correct heating output, subject to the temperature selected and the current cold water temperature.

The flow rate is automatically reduced by the flow regulator valve when inlet temperatures are low and the required outlet temperature is high. This ensures that the required temperature is reliably achieved. If operating the appliance with preheated water, "Error" will appear on the display at temperatures of 45 °C and above.

Two different temperatures can be saved and called up quickly. The ECO function limits the flow rate to the ECO flow rate and sets a pre-defined ECO temperature. The appliance also has child-proofing functions, a Wellness program, automatic water volume control, dynamic anti-scalding protection and a permanent temperature limiting feature. The background lighting on the appliance's display can also be used as an orientation light.

Heating system

The bare wire heating system has a pressure-tested plastic casing. The heating system is suitable for hard and soft water areas and is largely insusceptible to scale build-up. This heating system ensures rapid and efficient DHW availability.

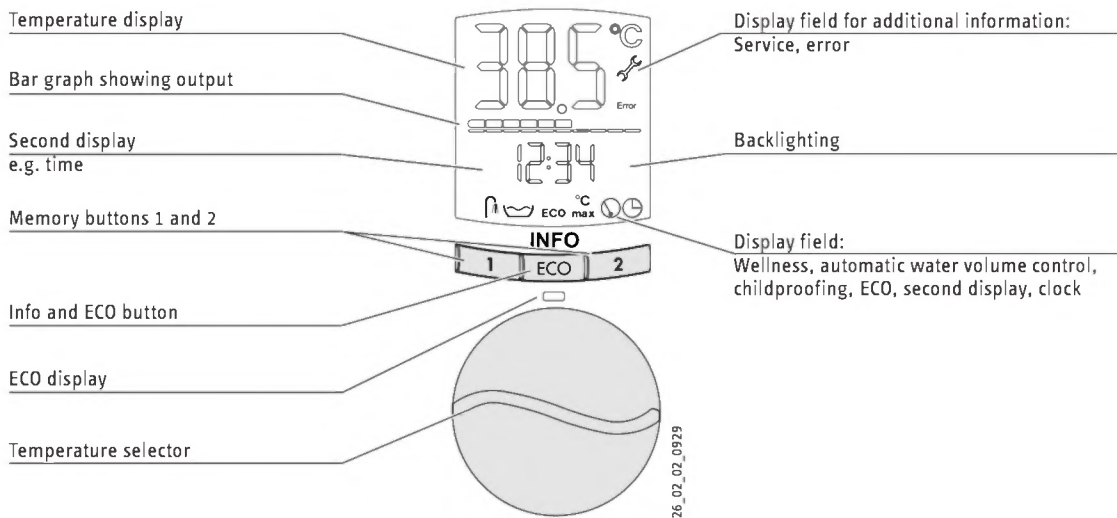
 **Note**
The appliance is equipped with an air detector that largely prevents damage to the heating system. If, during operation, air is drawn into the appliance, the appliance shuts down for one minute, thereby protecting the heating system.

OPERATION

Settings

4. Settings

4.1 Settings and displays on the appliance



Display field

	Wellness		Second line
	Automatic water volume control		Time
ECO	ECO mode		Orientation light
°C max	Childproofing		

Display field for additional information

► Please contact your qualified contractor if the following symbols are displayed:

Error	Error
	Service

4.1.1 Setting the temperature

The desired temperature can be variably adjusted by turning the rotary selector. The set temperature is displayed.

	Operation	Display
	Select a temperature between 30 and 60 °C via stepless setting	e.g. 43 °C
		OFF = heating switched off

4.1.2 Memory buttons

Using the memory buttons, you can quickly call up two preferred temperatures. These temperatures can be selected by you.

Allocating memory buttons

	Select the temperature between 30 and 60 °C that you wish to save	e.g. 38 °C.
	Press button 1 or button 2 for 3 seconds	e.g. 38 °C and 43 °C Display flashes once briefly, temperature is stored

Calling up memory buttons

	Press button 1 or button 2	e.g. 38 °C and 43 °C
--	----------------------------	----------------------

4.1.3 Selecting/deselecting ECO

The ECO function is activated and deactivated with the ECO button. If you have activated the ECO function, a green LED below the button lights up. The ECO symbol is also displayed.

The ECO function limits the flow rate to the ECO flow rate and sets a pre-defined ECO temperature. Both values can be adjusted via the INFO menu.

Note The ECO function is deactivated each time you adjust the temperature on the appliance (with the temperature selector or via the memory buttons). You must then re-activate the ECO function if required.

If you have selected the temperature via the wireless remote control, the ECO function is re-activated automatically after water has been drawn off.

	Press the ECO button: Selecting ECO	ECO	Green LED illuminates.
	Press the ECO button: Deselecting ECO	ECO	LED is not lit.

OPERATION

Settings


4.2 Settings in the INFO menu

Use the ECO button to access the INFO menu, where you can set comfort functions to individual preferences and/or call up values: ECO temperature/flow rate adjustment, childproofing, Wellness program, automatic water volume control. The ECO button can also be used to set the brightness of the display and the orientation light.

You can access the setting options by pressing the ECO button for longer than three seconds.

Then press the ECO button again repeatedly to access each function.

When you have reached the required function, you can change the settings for that function by turning the temperature selector.

	Operation	Display
Accessing the menu		
	Press the ECO button for 3 seconds	ECO 38 °C



All settings in the INFO menu are saved immediately.

Exiting the menu		
	Press the ECO button for 3 seconds.	Selected settings




If no button is pressed for approx. 40 seconds, the INFO menu is exited.

4.2.1 ECO function

Setting the ECO temperature

	Press the ECO button for 3 seconds	ECO 38 °C
	Set the temperature, range: 30-60 °C	e.g. 40 °C

Setting the ECO flow rate

	Press the ECO button for 3 seconds	ECO 38 °C
	Briefly press the ECO button	ECO 8.0 l/min
	Set the flow rate 4-15 l/min	ECO e.g. 6.0 l/min.

4.2.2 Setting the brightness of blue and red backlighting




The display on the appliance is equipped with background lighting. When you set a temperature up to 42.5 °C, the background lighting lights up blue; at temperatures of 43.0 °C and above, the display switches to red.

The display background lights up when you press a button, turn the temperature selector or if water flows through the appliance at a flow rate greater than the starting flow rate.

If no water is drawn off or the appliance is not operated for 30 seconds, the background lighting switches off (only if a deactivated orientation light has been selected).




If water is drawn off for more than 15 minutes, brightness will be reduced (reduction only with setting > 20 %).

The brightness of both the red and blue light can be individually adjusted in 5 stages.

	Press the ECO button for 3 seconds	ECO 38 °C
	Press the ECO button briefly several times	Blue Red
	Select the brightness for the red and blue lighting	100 % 20 %






4.2.3 Activating/deactivating the orientation light

The backlighting helps you find your way in dark rooms. For this purpose, you can set the lighting so it is constantly on. The orientation light then lights up with the intensity of the set background lighting.

	Press the ECO button for 3 seconds	ECO 38 °C
	Press the ECO button briefly several times	OFF
	Select "OFF"/"ON"	OFF: deactivated ON: activated

4.2.4 Activating/deactivating/adjusting the childproofing function

You can set the appliance to a maximum temperature.

	Press the ECO button for 3 seconds	ECO 38 °C
	Press the ECO button briefly several times	°C max OFF
	Select "OFF"/"ON".	OFF: deactivated ON: activated
	Briefly press the ECO button	°C max 43 °C
	Setting the temperature	°C max e.g. 36 °C

OPERATION

Settings

4.2.5 Activating/deactivating the Wellness comfort function

You can permanently program a Wellness comfort function which, after water has been drawn for three minutes, reduces the temperature by 10 °C and then increases it again after 10 seconds. After a further 10 seconds, the temperature is lowered again by 10 °C and then raised again after 10 seconds. This temperature change continues for the entire period that water is being drawn.

	Press the ECO button for 3 seconds	ECO 38 °C
	Press the ECO button briefly several times	OFF
	Select "OFF"/"ON"	OFF: deactivated ON: activated

4.2.6 Activating/deactivating/adjusting the automatic water volume control

You can set the automatic water volume control function so that the flow rate is reduced to approx. 4 l/min once a specified volume has been drawn off. This enables you to influence the amount of water drawn as well as the duration of a shower. The selected automatic water volume control only applies to the next draw-off.

	Press the ECO button for 3 seconds.	ECO 38 °C
	Press the ECO button briefly several times.	OFF
	Select "OFF"/"ON"	OFF: deactivated ON: activated
	When set to "ON", briefly press the ECO button	80 l
	Adjust the water volume	e.g. 150 l 5-200 l

4.2.7 Selecting the second line on the display

You can select what additional information is displayed in the second line:

- l/min Flow rate
- kWh Energy consumption (you can set the values of these consumption indicators to zero)
- m³ Water volume (you can set the values of these consumption indicators to zero)
- Time Time (if the power supply has been interrupted you will need to reset the clock)

	Press the ECO button for 3 seconds	ECO 38 °C
	Press the ECO button briefly several times	
	Select the display value for the second line	Selected display

Setting the "energy consumption and water volume" consumption indicator to zero.

	In the INFO menu, press button 1 and button 2 simultaneously when the corresponding consumption value appears on the display	0
--	--	---

4.2.8 Setting the time

	Press the ECO button for 3 seconds	ECO 38 °C
	Press the ECO button briefly several times	
	Set the time	e.g. 12:15 Note: Reset the time after a power interruption.

4.2.9 Wireless remote control – checking, pairing, unpairing

The appliance can be controlled remotely by means of a wireless remote control. The transmitter is waterproof and can also be used whilst showering or bathing. Up to four wireless remote controls can be combined. The wireless remote control enables you to control the temperature of the appliance remotely from another location (e.g. from the kitchen sink).

The wireless remote control has four buttons for selecting the temperature (38 °C and 55 °C are fixed settings; plus and minus button for changing the temperature in 0.5 °C stages). When a signal is being sent to the appliance, the red LED on the wireless remote control lights up.

If you press any button on the wireless remote control while the appliance is in ECO mode, the ECO function is cancelled for the next draw-off. ECO mode is resumed two minutes after the draw-off.

If the appliance is in standard mode, a constant temperature can be selected via the wireless programming unit.

Wireless remote control check on the appliance

	Press the ECO button for 3 seconds	ECO 38 °C
	Press the ECO button briefly several times	rc 1-4 Number of registered wireless remote controls (rc: remote control)

Pairing a wireless remote control with the appliance

	Press the ECO button for 3 seconds	ECO 38 °C
	Press the ECO button briefly several times	rc 1
	Press button 1: Pairing phase is activated. Press any button on the wireless remote control.	Bar graph is shown. Green LED flashes. rc 2 Bar graph display goes off. Wireless remote control is recognised

Unpairing a wireless remote control from the appliance

	Press the ECO button for 3 seconds	ECO 38 °C
	Press the ECO button briefly several times	rc 2
	In "rc" mode, press button 2	rc 0: All wireless remote controls are deregistered

Cleaning, care and maintenance

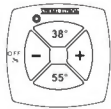
4.2.10 Resetting to factory defaults



Press button 1 and button 2 simultaneously for 2 seconds. Display flashes to confirm.

Anti-scalding protection and registered wireless remote controls are not reset (for factory defaults, see chapter "Specification").

4.3 Settings on the wireless remote control



Press 38°	38 °C
Press 55°	55 °C
Press +	Press 1x: Set value raised by 0.5 °C.
Press -	Press 1x: Set value lowered by 0.5 °C.

You can switch the appliance heater to OFF using the wireless remote control. To do this, press the minus button for at least 3 seconds. Press any button to switch it back on.

4.4 Further functions

4.4.1 Dynamic anti-scalding protection

The appliance is equipped with dynamic anti-scalding protection. The user who is first to select a temperature on the appliance or via the wireless remote control sets the temperature for the next draw-off. No other user can increase the temperature above 43 °C in the following two minutes or during a draw-off or for two minutes following the end of a draw-off.

4.4.2 Anti-scalding protection

The qualified contractor can permanently limit the temperature (see chapter "Troubleshooting / Customer service mode"). This prevents water from flowing out of the appliance at temperatures which could cause injury.

4.5 Recommended settings

Saving energy

The following recommended settings will result in the lowest energy consumption:

- 38 °C for hand washbasins, showers, bath
- 55 °C for kitchen sinks

Thermostatic valve

If the appliance is being operated with a thermostatic valve, we recommend setting the temperature on the appliance to maximum (temperature selector set to 60 °C). You can then select the required temperature at the thermostatic valve.

Following an interruption to the water supply



Material losses

Following an interruption of the water supply the appliance must be recommissioned by carrying out the following steps, in order to prevent the destruction of the bare wire heating system.

- ▶ Disconnect the appliance from the power supply by removing the fuses/tripping the MCBs.
- ▶ Open the tap for one minute until the appliance and its upstream cold water inlet line are free of air.
- ▶ Switch the mains power back on again.

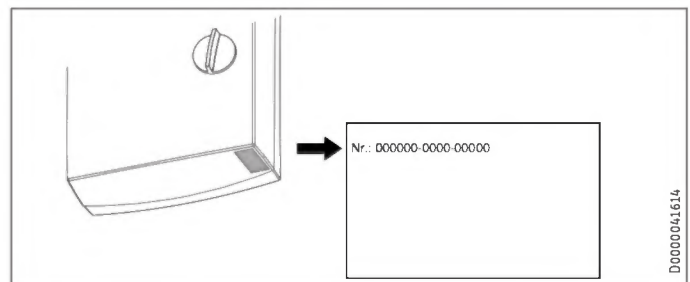
5. Cleaning, care and maintenance

- ▶ Never use abrasive or corrosive cleaning agents. A damp cloth is sufficient for cleaning the appliance.
- ▶ Check the taps regularly. Limescale deposits at the tap outlets can be removed using commercially available descaling agents.

6. Troubleshooting

Problem	Cause	Remedy
The appliance will not start despite the DHW valve being fully open.	There is no power.	Check the fuses/MCBs in your fuse box/distribution board.
	The aerator in the tap or the shower head is scaled up or dirty.	Clean and/or descale the aerator or shower head.
Required temperature > 45 °C is not achieved.	The water supply has been interrupted.	Vent the appliance and the cold water inlet line (see chapter "Settings").
	The cold water inlet temperature is > 45 °C.	Reduce the cold water inlet temperature.
The flow rate is too low.	ECO mode is activated and the flow rate value in ECO mode is set too low.	Set a higher ECO flow rate.
It is not possible to set a temperature higher than 43 °C.	Dynamic anti-scalding protection is enabled.	Is cancelled automatically two minutes after drawing has ceased.

If you cannot remedy the fault, notify your qualified contractor. To facilitate and speed up your enquiry, please provide the serial number from the type plate (000000-0000-00000).



Wireless remote control battery change

Problem	Cause	Remedy
LED on the wireless remote control flashes during and after transmission.	Battery in the wireless remote control is flat.	Replace the battery.



Material losses

► Remove the old battery.
Any damage caused by a leaking battery is excluded from the warranty.

- Open the housing of the wireless remote control by unscrewing the two screws on the back and prising off the casing.
- Change the battery; for battery type, see chapter "Specification / Data table".



Note

The positive terminal of the battery must face away from the PCB.

- Close the casing. When doing so, pay attention to the recess on the edge of the lid. The recess determines the correct positioning of the lid and ensures the casing is tightly sealed.



Battery disposal

Never dispose of batteries with domestic waste. Spent batteries may contain noxious substances that can be detrimental to the environment and human health. Dispose of spent batteries through your dealer or via a central recycling point for special waste.

INSTALLATION

7. Safety

Only a qualified contractor should carry out installation, commissioning, maintenance and repair of the appliance.

7.1 General safety instructions

We guarantee trouble-free function and operational reliability only if original accessories and spare parts intended for the appliance are used.



Material losses

Observe the maximum inlet temperature. Higher temperatures may damage the appliance. You can limit the maximum inlet temperature by installing a central thermostatic valve.



WARNING Electrocutation

This appliance contains capacitors which are discharged when disconnected from the power supply. The capacitor discharge voltage may briefly reach > 60 V DC.

7.2 Shower operation



CAUTION Burns

► When supplying a shower, set the internal temperature limit to 55 °C or lower; see chapter "Appliance description / Customer service mode / Anti-scalding protection / Temperature limit menu".



CAUTION Burns

If the water supplied to the appliance is preheated, please note the following:
The internally adjustable temperature limit may be exceeded.

- Limit the temperature with an upstream central thermostatic valve.

7.3 Instructions, standards and regulations



Note

Observe all applicable national and regional regulations and instructions.

- The IP 25 (hoseproof) rating can only be ensured with a correctly fitted cable grommet.
- The specific electrical resistivity of the water must not fall below that stated on the type plate. In a linked water network, observe the lowest electrical water resistivity (see chapter "Specification / Application areas / Conversion table"). Your water supply utility will advise you of the specific electrical water resistivity or conductivity.

8. Appliance description

8.1 Standard delivery

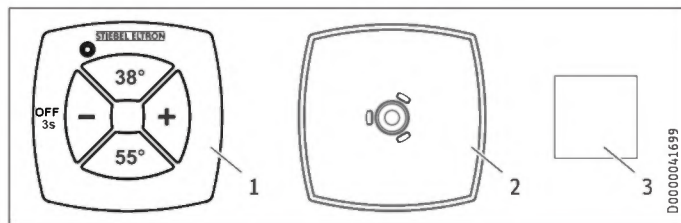
The following are delivered with the appliance:

- Wall mounting bracket
- Threaded stud for wall mounting
- Installation template
- 2 twin connectors (cold water with shut-off valve)
- Flat gaskets
- Cable grommet (power cable from above / below)
- Screws / rawl plugs for securing the back panel to allow for water connection on finished walls
- Mini FFB wireless remote control

For appliance replacement

- 2 tap extensions

Wireless remote control



- 1 Transmitter incl. battery
- 2 Wall mounting bracket
- 3 Adhesive pad

9. Preparation

9.1 Installation location



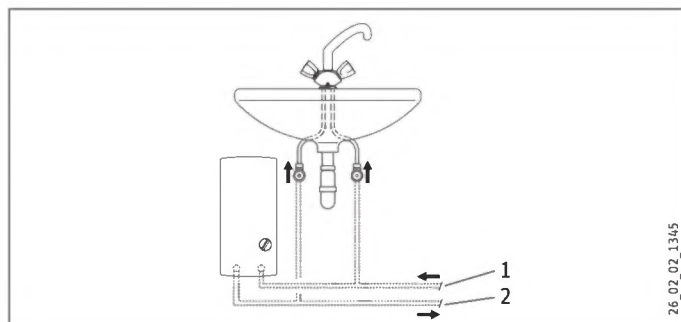
Material losses

Install the appliance in a room free from the risk of frost.

- ▶ Always install the appliance vertically and near the draw-off point.

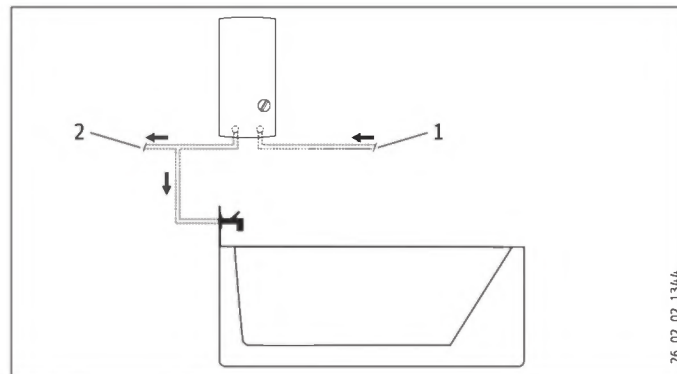
The appliance is suitable for undersink and oversink installation.

Undersink installation



- 1 Cold water inlet
- 2 DHW outlet

Oversink installation



- 1 Cold water inlet
- 2 DHW outlet



Note

▶ Mount the appliance on the wall. The wall must have sufficient load bearing capacity.

9.2 Water installation

- No safety valve is required.
- Safety valves are not permissible in the DHW pipe.
- ▶ Flush the water line thoroughly.

Taps

Use appropriate pressure taps. Open vented taps are not permissible.



Note

Never use the shut-off valve in the cold water inlet to reduce the flow rate. It is intended for shutting off the appliance.

Permissible water line materials

- Cold water inlet pipe:
Pipes made from galvanised steel, stainless steel, copper or plastic
- DHW outlet line:
Pipes made from stainless steel, copper or plastic



Material losses

If plastic pipework systems are used, take into account the maximum inlet temperature and the maximum pressure (see chapter "Specification / Data table").

Flexible water connection lines

- ▶ If the appliance is installed with flexible water connection lines, ensure that the pipe bends with bayonet fittings do not become twisted inside the appliance.
- ▶ Secure the back panel at the bottom with two additional screws.

10. Installation

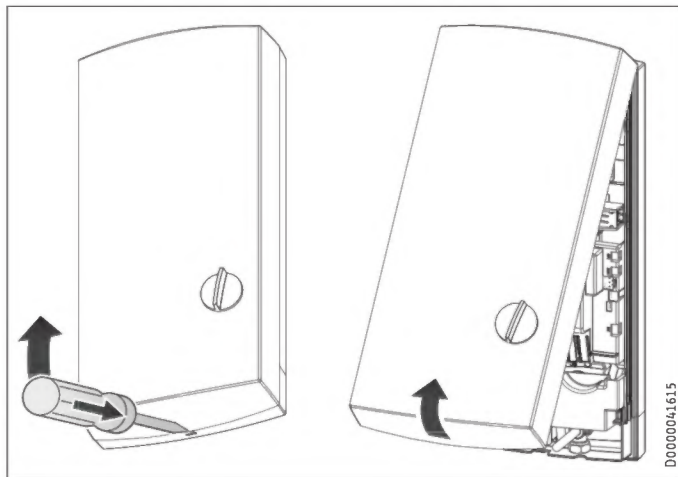
10.1 Standard installation

- Electrical connection from above; installation on unfinished walls
- Water connection on unfinished walls
- Medium connected load is selected

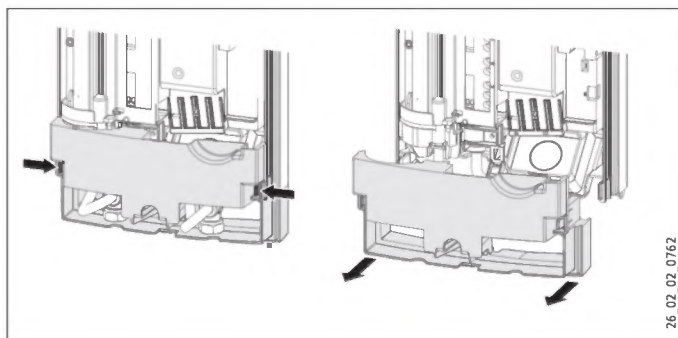
For further installation options, see chapter "Alternative installation methods":

- Electrical connection from below on unfinished walls
- Electrical connection on finished walls
- Connecting a load shedding relay
- Water installation on finished walls
- Water connection on unfinished walls for appliance replacement
- Operation with preheated water
- Installation of wireless remote control

Opening the appliance

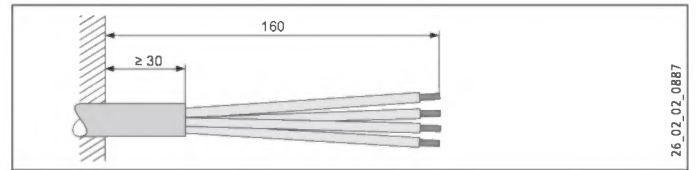


- ▶ Open the appliance by releasing the snap lock.

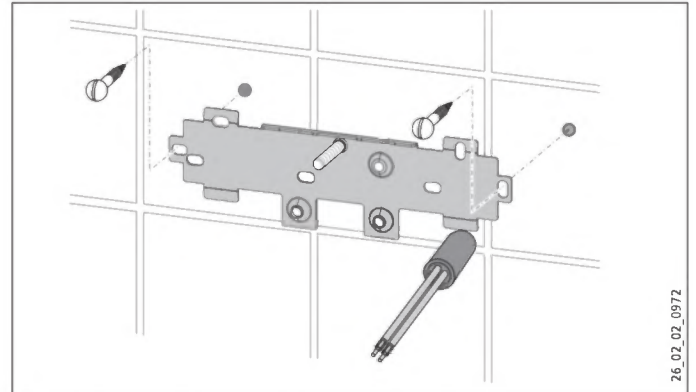


- ▶ Remove the back panel by pressing the two locking hooks and pulling the lower section of the back panel forwards.

Preparing the power cable

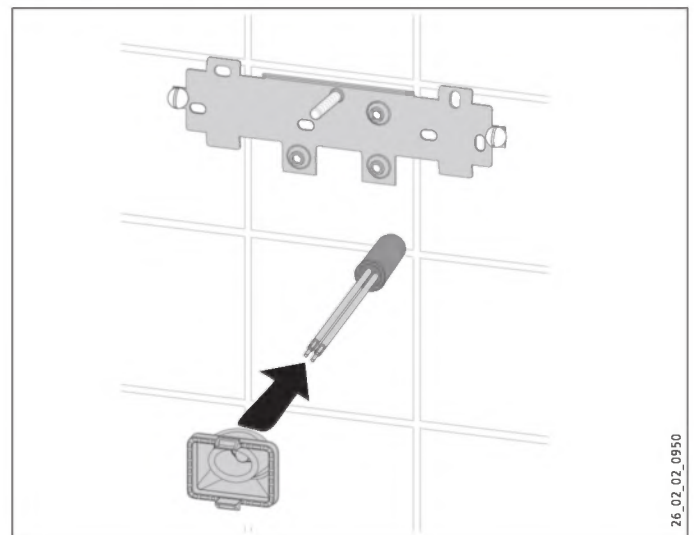


Fitting the wall mounting bracket



- ▶ Mark out the holes for drilling using the installation template. If the appliance is to be installed with water connections on finished walls, also mark out the fixing holes in the lower part of the template.
- ▶ Drill the holes and secure the wall mounting bracket with 2 screws and 2 rawl plugs (screws and rawl plugs are not part of the standard delivery).
- ▶ Fit the threaded stud provided.
- ▶ Fit the wall mounting bracket.

Fitting the cable grommet



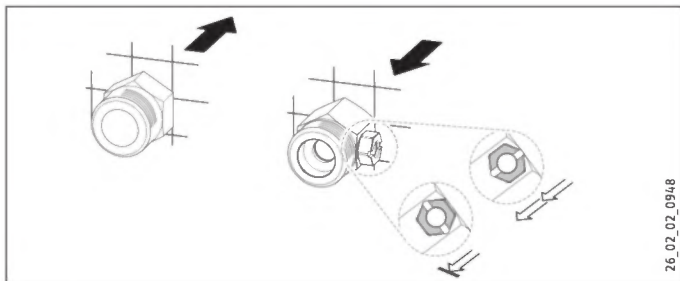
- ▶ Fit the cable grommet. For connecting cables > 6 mm², enlarge the hole in the cable grommet.

INSTALLATION

Installation

Making the water connection

- !** **Material losses**
Carry out all water connection and installation work in accordance with regulations.

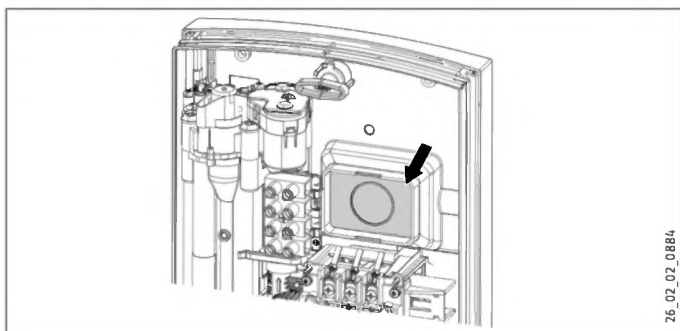


- ▶ Seal and insert the twin connectors.

- !** **Material losses**
Never use the shut-off valve in the cold water inlet to reduce the flow rate.

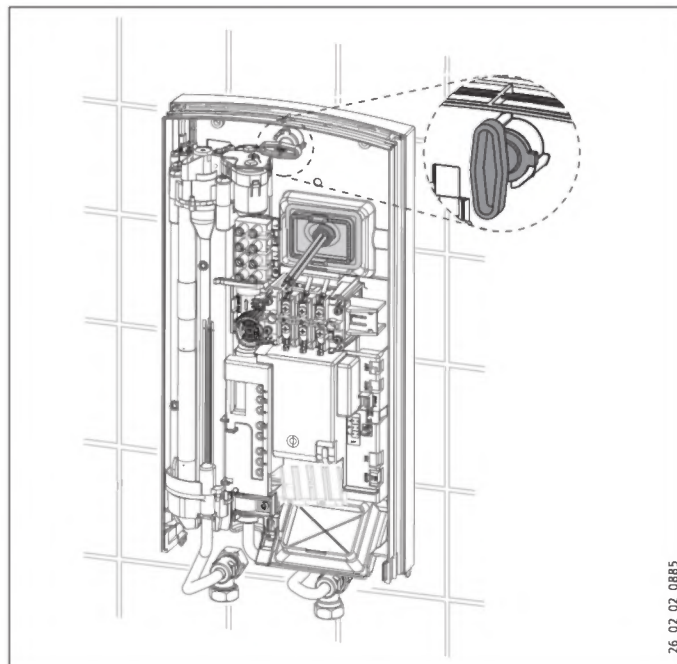
Preparing the back panel

- !** **Material losses**
If you break open the wrong knock-out in the back panel by mistake, you must use a new back panel.

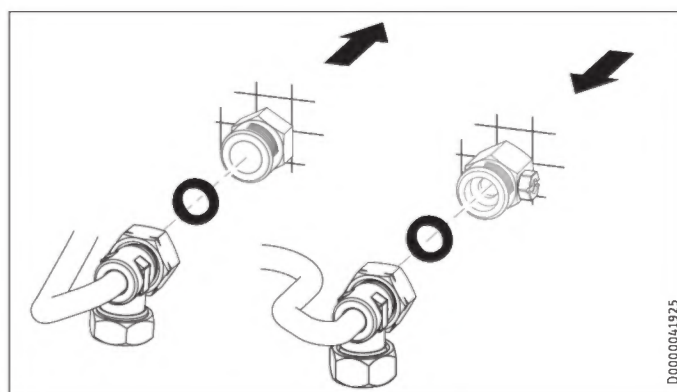


- ▶ Break out the cable grommet knock-out in the back panel. Deburr any sharp edges with a file if necessary.

Installing the appliance



- ▶ Push the back panel over the threaded stud and the cable grommet. Pull the cable grommet by the locking hooks into the back panel using pliers, until both locking hooks audibly click into place.
- ▶ Remove the protective transport plugs from the water connections.
- ▶ Press the back panel firmly into place and lock the fixing toggle by turning it clockwise through 90°.



- ▶ Screw the water connection pipes with flat gaskets onto the twin connectors.

- !** **Material losses**
The strainer must be fitted for the appliance to function.
- ▶ When replacing an appliance, check whether the strainer is installed (see chapter "Maintenance").

INSTALLATION

Installation

Making the electrical connection



WARNING Electrocutation
Carry out all electrical connection and installation work in accordance with relevant regulations.



WARNING Electrocutation
The connection to the power supply must be in the form of a permanent connection in conjunction with the removable cable grommet. Ensure the appliance can be separated from the power supply by an isolator that disconnects all poles with at least 3 mm contact separation.



WARNING Electrocutation
Ensure that the appliance is earthed.

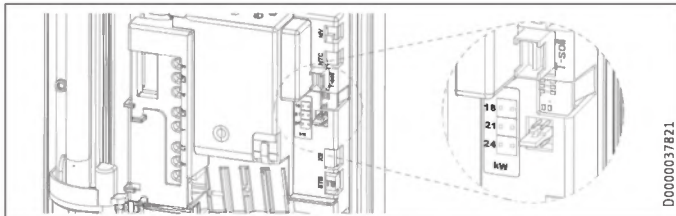


Material losses
Observe the type plate. The specified voltage must match the mains voltage.

- ▶ Connect the power cable to the mains terminal (see chapter "Specification / Wiring diagrams").

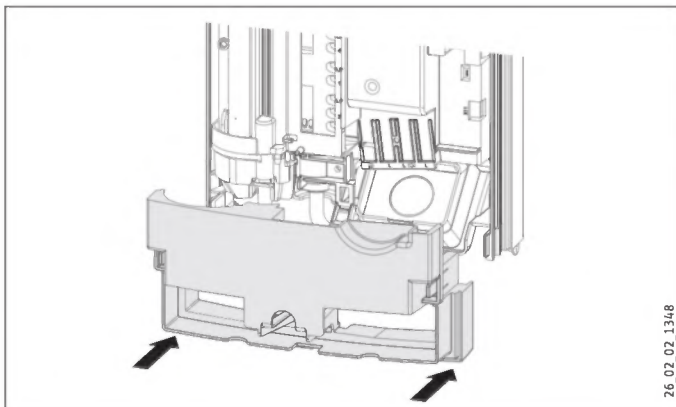
Re-plugging the coding card

In its delivered condition, the appliance is set to 21 kW. When changing to a different connected load, carry out the following steps:



- ▶ Re-plug the coding card according to the selected connected load (for selectable connected load and fuse protection of the appliance, see "Specification / Data table").
- ▶ Tick the selected connected load on the type plate. Use a ballpoint pen to do this.

Fitting the base part of the back panel

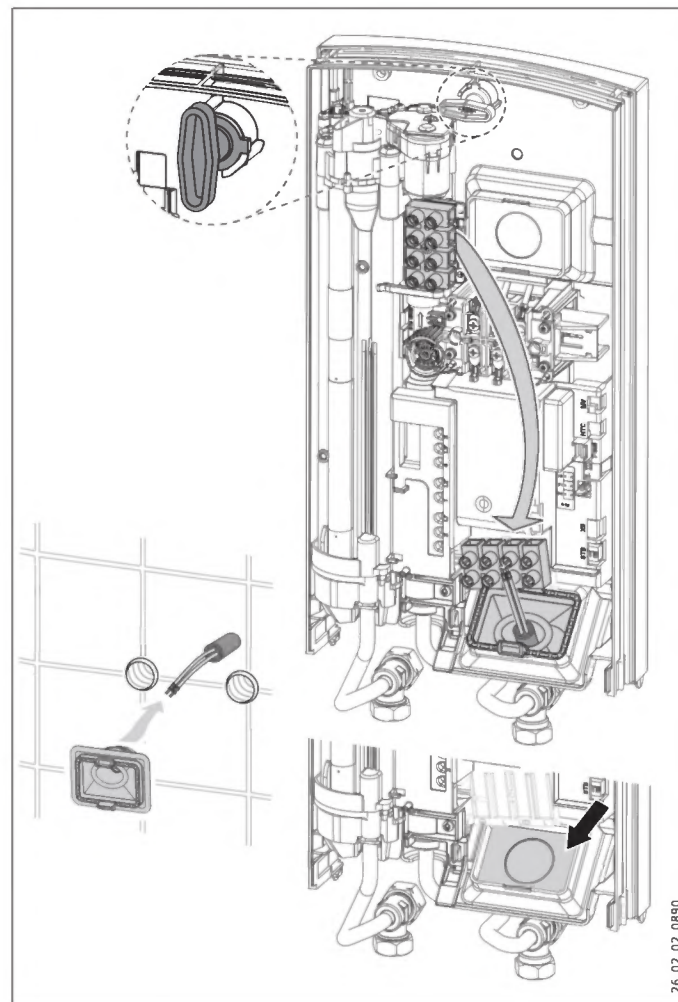


- ▶ Position the lower back panel on the main back panel and click it into place.

- ▶ Align the mounted appliance by undoing the fixing toggle, aligning the power supply and back panel, and then re-tightening the fixing toggle. If the back panel is not flush with the wall, the appliance can be secured at the bottom with two additional screws.

10.2 Alternative installation methods

10.2.1 Electrical connection from below on unfinished walls



- ▶ Fit the cable grommet.



Material losses
If you break open the wrong knock-out in the back panel by mistake, you must use a new back panel.

- ▶ Break out the cable grommet knock-out in the back panel. Deburr any sharp edges with a file if necessary.
- ▶ Reposition the mains terminal in the appliance from the top to the bottom.
- ▶ Push the back panel over the threaded stud and the cable grommet. Pull the cable grommet by the locking hooks into the back panel using pliers, until both locking hooks audibly click into place.
- ▶ Press the back panel firmly into place and lock the fixing toggle by turning it clockwise through 90°.

INSTALLATION

Installation

10.2.2 Electrical connection on finished walls



Note

This type of connection changes the IP rating of the appliance.

- ▶ Change the type plate. Cross out "IP 25" and mark the box "IP 24". Use a ballpoint pen to do this.



Material losses

If you break open the wrong knock-out in the back panel by mistake, you must use a new back panel.

- ▶ Cleanly cut or break out the required cable entries in the back panel (for positions, see chapter "Specification / Dimensions and connections"). Deburr any sharp edges with a file if necessary.
- ▶ Route the power cable through the cable grommet and connect it to the mains terminal.

10.2.3 Connecting a load shedding relay

When operating additional electric appliances, such as electric storage heaters, install a load shedding relay in the distribution board. The relay responds when the instantaneous water heater starts.



Material losses

Connect the phase that switches the load shedding relay to the indicated terminal of the mains terminal in the appliance (see chapter "Specification / Wiring diagrams").

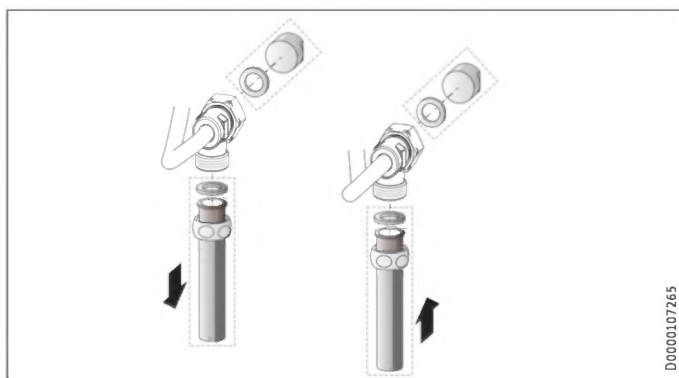
10.2.4 Water installation on finished walls



Note

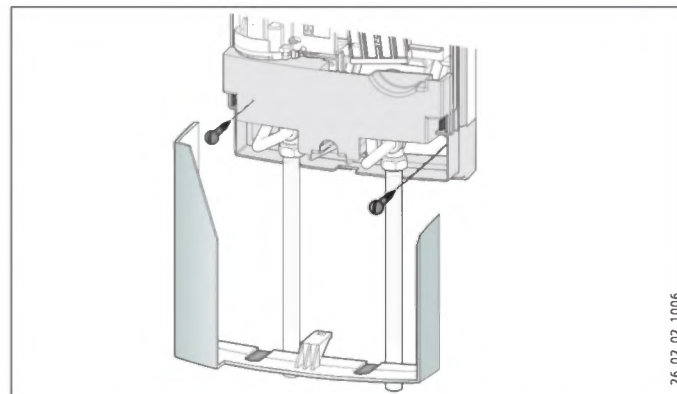
This type of connection changes the IP rating of the appliance.

- ▶ Change the type plate. Cross out "IP 25" and mark the box "IP 24". Use a ballpoint pen to do this.



D0000107265

- ▶ Fit water plugs with gaskets to seal the concealed connections.
- ▶ Fit a suitable pressure tap.



26_02_02_1006

- ▶ Secure the back panel at the bottom with two additional screws.
- ▶ Slide the lower back panel under the connection pipes of the tap and click the lower back panel into place.
- ▶ Secure the connection pipes to the appliance.



Material losses

If you break open the wrong knock-out in the appliance cover by mistake, you must use a new appliance cover.

- ▶ Cleanly break out the knock-outs in the appliance cover. Deburr any sharp edges with a file if necessary.

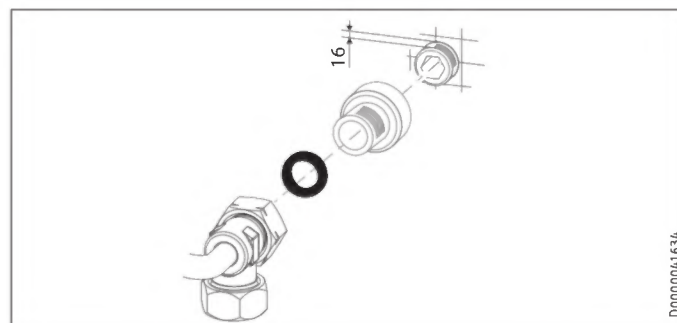
10.2.5 Water installation on unfinished walls for appliance replacement

If the existing twin connectors of the old appliance only protrude from the wall by approx. 16 mm, you cannot use the twin connectors provided.



Note

With this connection, the cold water supply can only be shut off within the domestic installation.



D0000041634

- ▶ Seal and fit the screw-in tap extensions provided.
- ▶ Connect the appliance.

10.2.6 Operation with preheated water

You can limit the maximum inlet temperature by installing a central thermostatic valve. For use in shower operation, the valve must be set to a maximum of 55 °C.

10.3 Completing the installation

- ▶ Open the shut-off valve in the twin connector or the cold water inlet line.

INSTALLATION

Commissioning

10.4 Installation of wireless remote control

You can attach the transmitter to the wall using the wall mounting bracket.

- ▶ Secure the wall mounting bracket to the wall using the adhesive pad provided or a suitable countersunk screw (Ø 3 mm or less).

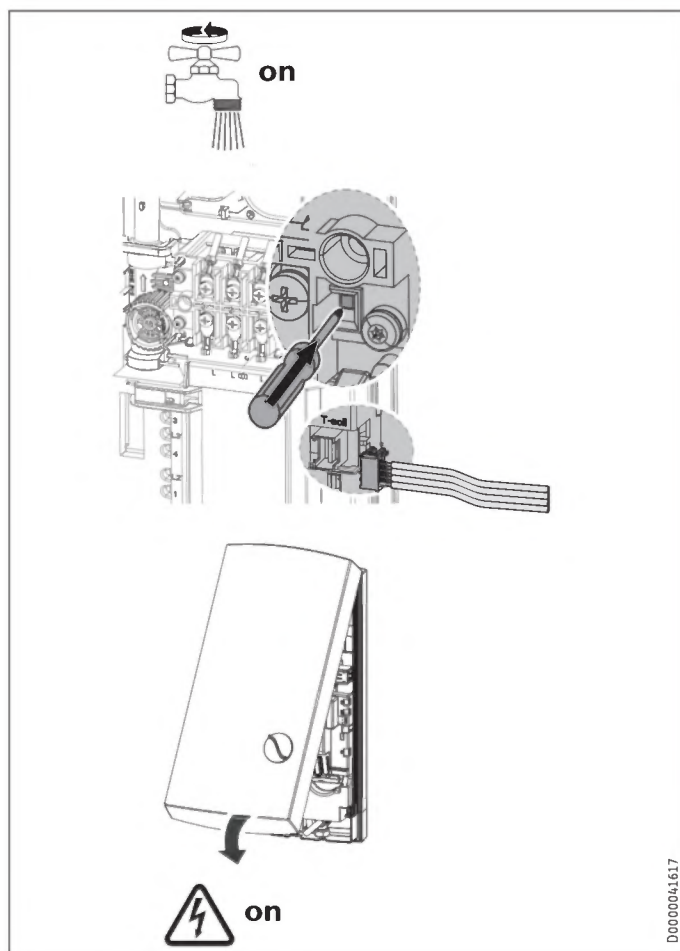
11. Commissioning



WARNING Electrocutation

Commissioning must only be carried out by a qualified contractor in accordance with safety regulations.

11.1 Initial start-up



- ▶ Open and close all connected draw-off valves several times, until all air has been purged from the pipework and the appliance.
- ▶ Carry out a tightness check.
- ▶ Activate the safety pressure limiter by firmly pressing the reset button (the appliance is delivered with the safety pressure limiter deactivated).
- ▶ Plug the temperature selector cable plug into the PCB.
- ▶ Fit the appliance cover, ensuring it clicks into place. Check that the appliance cover is seated correctly.
- ▶ Switch the power supply ON.
- ▶ Check the appliance function.

Mini FFB wireless remote control

The wireless remote control is registered with the appliance at the factory. If there is no data communication during commissioning, carry out the pairing process as follows:

- ▶ Use the ECO button to switch to the comfort function "Wireless remote control (rc)"
- ▶ Press memory button 1 on the appliance (the pairing phase is activated, bar graph is shown on display).
- ▶ Then press a button on the wireless remote control.

Anti-scalding protection / temperature limit

In customer service mode, you can limit the temperature to between 31 and 60 °C.

Appliance handover

- ▶ Explain the appliance function to users and familiarise them with how it works.
- ▶ Make the user aware of potential dangers, especially the risk of scalding.
- ▶ Hand over these instructions.

11.2 Recommissioning

Vent the appliance and the cold water inlet line (see chapter "Settings").

See chapter "Initial start-up".

12. Appliance shutdown

- ▶ Isolate all poles of the appliance from the power supply.
- ▶ Drain the appliance (see chapter "Maintenance").

13. Troubleshooting



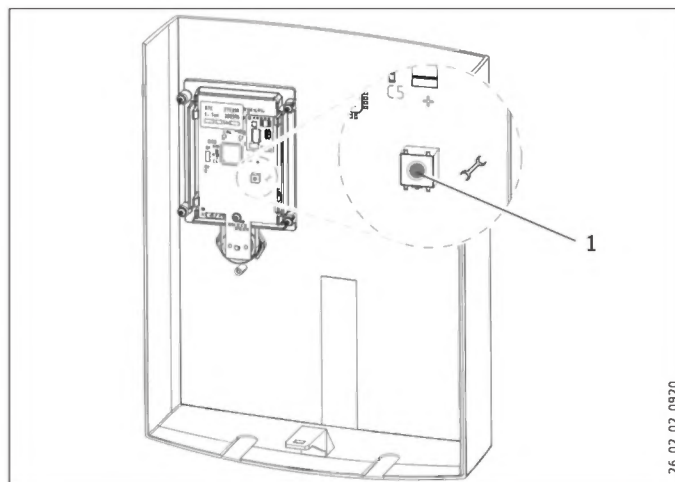
WARNING Electrocutation
To test the appliance, it must be supplied with power.

Fault	Cause	Remedy
The flow rate is too low.	Strainer and/or aerator are dirty	Clean the strainer and/or aerator.
	The motorised valve is faulty.	Check the motorised valve. Replace it if required.
Permanent error display on the programming unit	The sensor/PCB is faulty.	Further analyse the fault in customer service mode (see chapter "Customer service mode").
	Communication between the programming unit and the control unit is faulty.	Check the programming unit and the connecting cable.
The background lighting in the programming unit is completely off.	No mains power	Check the fuses/MCBs in your fuse box/distribution board.
	Loose connecting cable to the programming unit	Reconnect the cable.
	Safety pressure limiter has triggered.	Remove the cause. Open a downstream draw-off valve for 1 minute. This depressurises and cools down the heating system, protecting it against overheating. Activate the safety pressure limiter at flow pressure by pressing the reset button.
	Faulty PCB.	Check the PCB and replace if required.
Heating does not switch on / no hot water.	Heater is faulty.	Check the heater and replace it if required.
	Flow meter faulty or not plugged in.	Check the connection. Check the flow meter in the customer service mode.
	The high limit safety cut-out has responded or suffered a lead break.	Remove the cause. Activate the high limit safety cut-out, replace the high limit safety cut-out if required.
Error display only appears when water is being drawn off.	One phase has dropped out.	Check the fuses/MCBs in your fuse box/distribution board.
	Inlet temperature > 45 °C.	See chapter "Water installation"; limit inlet temperature if necessary.
Intermittent cold water.	Wellness function enabled.	Disable the Wellness function.
	Brief drop in flow rate	The appliance restarts automatically when an adequate flow rate has been detected.
	Air detector responds (cold water for approx. 1 min).	The appliance restarts automatically after a delay.

13.1 Customer service mode

Activate/deactivate customer service mode with the SERVICE button on the back of the user interface (connection to "T-set" must be present). Use the ECO button to move to the next menu item (see chapter "Settings / Settings in the INFO menu").

Scroll through the respective submenu by turning the temperature selector.



1 SERVICE button

13.1.1 Fault menu

This menu is only shown if there is a fault.

Code	Meaning
E1, ELEC	The electronic assembly is faulty. Replace the electronic assembly.
E3, ntc	Check the electrical connection to the outlet sensor. Replace it if required.
E4, mot	Check the electrical connection to the motorised valve. Replace it if required.

13.1.2 Control menu

Code	Meaning
C 1, 36.5 °C	Display of the current inlet temperature. If the cold water sensor is faulty, a temperature of 1.0 °C is displayed.
C 2, 47.5 °C	Display of the current outlet temperature. If the cold water sensor is faulty, a temperature of 65.0 °C is displayed.
C 3, 6.8 l/min	Display of the current flow rate.
C 4, 21.5 kW	Display of the current power consumption.

13.1.3 Data menu

Code	Meaning
d 1, 8042	Service code for customer support
d 2, 2341	Number of days, on which the appliance is connected to the power supply.
d 3, 172 h	Heating time in hours.
d 4, 24 kW	Maximum output in kW: This output may deviate from the rated output, e.g. if the mains voltage is not 400 V.

INSTALLATION

Maintenance

13.1.4 Anti-scalding protection / Temperature limit menu

Code	Meaning
OFF	Anti-scalding protection / Temperature limit OFF.
On	Anti-scalding protection / Temperature limit ON.
31-60 °C	Maximum selectable value on appliance when ON

Factory defaults (see chapter "Specification").
After exiting customer service mode, you cannot change the set maximum temperature via the user interface.



CAUTION Burns
If operating with preheated water, the set temperature limit and anti-scalding protection may be ineffective. In such cases, limit the temperature with an upstream central thermostatic valve.

14. Maintenance



WARNING Electrocutation
Before any work on the appliance, disconnect all poles from the power supply.

Draining the appliance

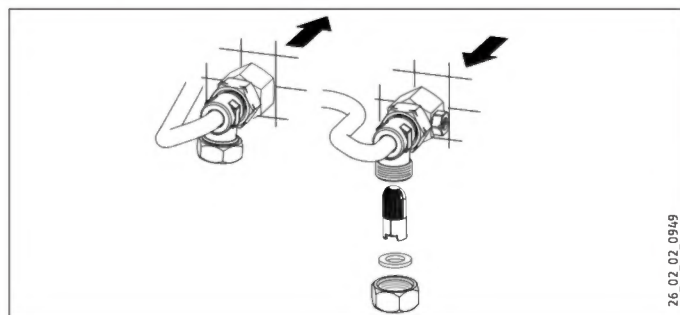
The appliance can be drained for maintenance work.



WARNING Burns
Hot water may escape when draining the appliance.

- ▶ Close the shut-off valve in the twin connector or the cold water inlet line.
- ▶ Open all draw-off valves.
- ▶ Undo the water connections on the appliance.
- ▶ Store the dismantled appliance in a room free from the risk of frost, as water residues remaining inside the appliance can freeze and cause damage.

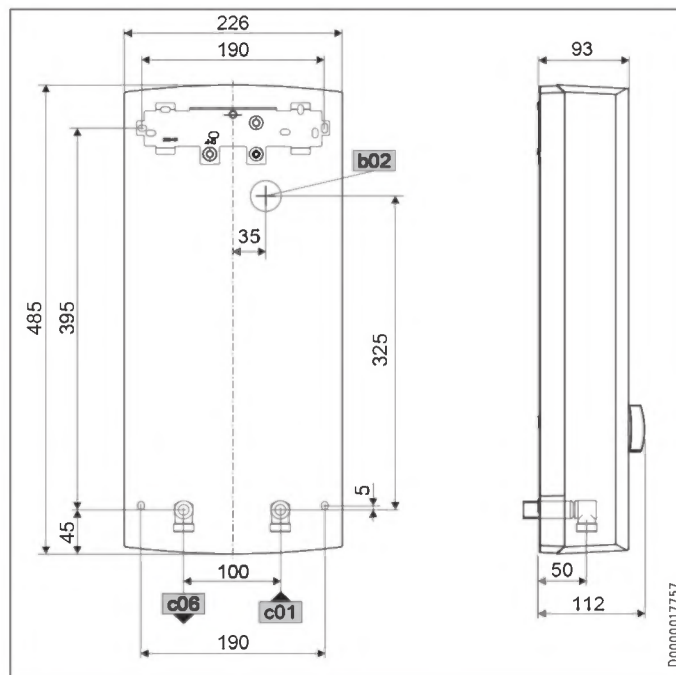
Cleaning the strainer



If dirty, clean the strainer in the threaded cold water fitting. Close the shut-off valve in the cold water inlet line before removing, cleaning and refitting the strainer.

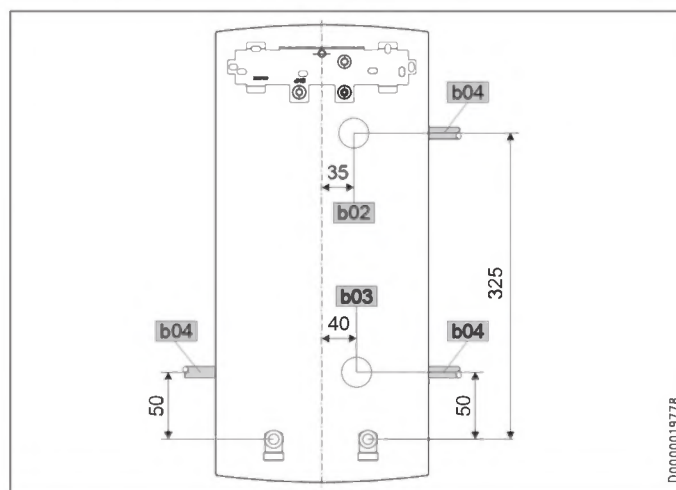
15. Specification

15.1 Dimensions and connections



b02	Entry electrical cables I		
c01	Cold water inlet	Male thread	G 1/2 A
c06	DHW outlet	Male thread	G 1/2 A

Alternative connection options

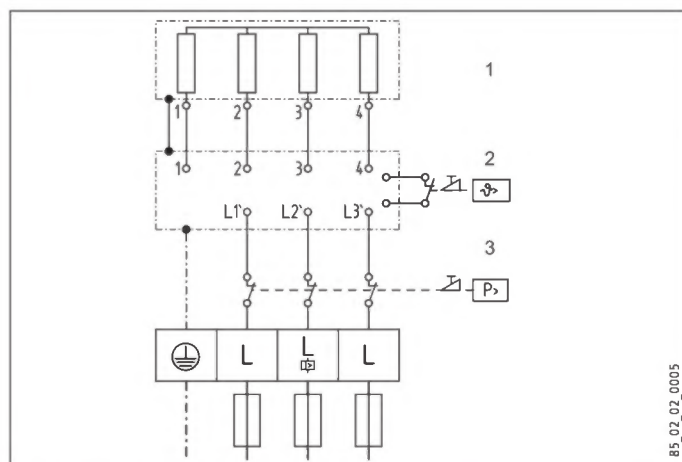


b02	Entry electrical cables I
b03	Entry electrical cables II
b04	Entry electrical cables III

INSTALLATION Specification

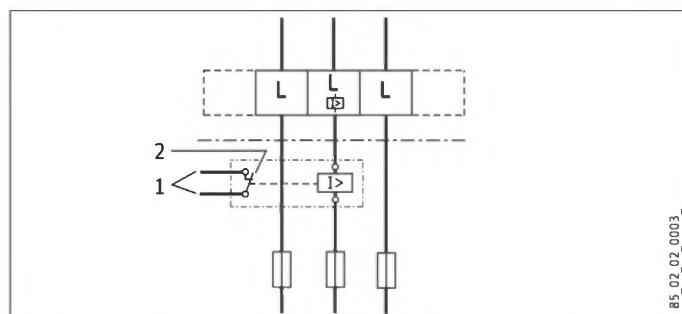
15.2 Wiring diagrams

3/PE ~ 380-415 V



- 1 Heating
- 2 High limit safety cut-out
- 3 Safety pressure limiter

Priority control with LR 1-A



- 1 Control cable to the contactor of the 2nd appliance (e.g. electric storage heater).
- 2 Control contact drops out when switching the instantaneous water heater on.

15.3 Factory settings

Wellness		OFF
Automatic water volume control		OFF / 80 l
ECO	ECO	38 °C / 8 l/min
Childproofing		OFF / 43.0 °C
Second line of the display		l/min
Orientation light		OFF
Backlighting	blue / red	100 %

15.4 DHW output

The DHW output is subject to the mains voltage, the appliance's connected load and the cold water inlet temperature. The rated voltage and rated output can be found on the type plate (see chapter "Troubleshooting").

Connected load in kW			38 °C DHW output in L/min.			
Rated voltage			Cold water inlet temperature			
380 V	400 V	415 V	5 °C	10 °C	15 °C	20 °C
16.2			7.0	8.3	10.1	12.9
19			8.2	9.7	11.8	15.1
21.7			9.4	11.1	13.5	17.2
	18		7.8	9.2	11.2	14.3
	21		9.1	10.7	13.0	16.7
	24		10.4	12.2	14.9	19.0
		19.4	8.4	9.9	12.0	15.4
		22.6	9.8	11.5	14.0	17.9
		25.8	11.2	13.2	16.0	20.5

Connected load in kW			50 °C DHW output in L/min.			
Rated voltage			Cold water inlet temperature			
380 V	400 V	415 V	5 °C	10 °C	15 °C	20 °C
16.2			5.1	5.8	6.6	7.7
19			6.0	6.8	7.8	9.0
21.7			6.9	7.8	8.9	10.3
	18		5.7	6.4	7.3	8.6
	21		6.7	7.5	8.6	10.0
	24		7.6	8.6	9.8	11.4
		19.4	6.2	6.9	7.9	9.2
		22.6	7.2	8.1	9.2	10.8
		25.8	8.2	9.2	10.5	12.3

15.5 Application areas / Conversion table

Specific electrical resistivity and specific electrical conductivity (see chapter "Data table").

Standard specification at 15 °C			20 °C			25 °C		
Resistivity $\rho \geq$	Conductivity $\sigma \leq$		Resistivity $\rho \geq$	Conductivity $\sigma \leq$		Resistivity $\rho \geq$	Conductivity $\sigma \leq$	
$\Omega \text{ cm}$	mS/m	$\mu\text{S/cm}$	$\Omega \text{ cm}$	mS/m	$\mu\text{S/cm}$	$\Omega \text{ cm}$	mS/m	$\mu\text{S/cm}$
900	111	1111	800	125	1250	735	136	1361
1000	100	1000	890	112	1124	815	123	1227

15.6 Pressure drop

Taps

Tap pressure drop at a flow rate of 10 L/min	
Mono lever mixer tap, approx.	MPa 0.04 - 0.08
Thermostatic valve, approx.	MPa 0.03 - 0.05
Hand shower, approx.	MPa 0.03 - 0.15

Sizing the pipework

When calculating the size of the pipework, an appliance pressure drop of 0.1 MPa is recommended.

15.7 Fault conditions

In the event of a fault, loads up to a maximum of 95 °C at a pressure of 1.2 MPa can occur temporarily in the installation.

INSTALLATION

Specification

15.8 Energy consumption data

Product datasheet: Conventional water heaters to regulation (EU) no. 812/2013 | 814/2013 / (S.I. 2019 No. 539 / Schedule 2)

		PER 18/21/24	
		233990	
Manufacturer		STIEBEL ELTRON	
Load profile		S	
Energy efficiency class		A	
Energy conversion efficiency	%	39	
Annual power consumption	kWh	478	
Default temperature setting	°C	60	
Sound power level	dB(A)	15	
Special information on measuring efficiency		Data at Pmax.	
Daily power consumption	kWh	2.199	

15.9 Data tables

		PER 18/21/24		
		233990		
Electrical data				
Rated voltage	V	380	400	415
Rated output	kW	16.2/19/21.7	18/21/24	19.4/22.6/25.8
Rated current	A	27.6/29.5/33.3	29/31/35	30.1/32.2/36.3
Fuse protection	A	32/32/35	32/32/35	32/32/40
Frequency	Hz	50/60	50/60	50/-
Phases				3/PE
Max. mains impedance at 50 Hz	Ω	0.284	0.270	0.260
Specific conductivity $\sigma_{15} \leq$ (at $\vartheta_{\text{cold}} \leq 25$ °C)	μS/cm	1111	1111	1000
Specific resistance $\rho_{15} \geq$ (at $\vartheta_{\text{cold}} \leq 25$ °C)	Ω cm	900	900	1000
Specific resistance $\rho_{15} \geq$ (at $\vartheta_{\text{cold}} \leq 45$ °C)	Ω cm	1200	1200	1300
Specific conductivity $\sigma_{15} \leq$ (at $\vartheta_{\text{cold}} \leq 45$ °C)	μS/cm	830	830	770
Connections				
Water connection				G 1/2 A
Application limits				
Max. permissible pressure	MPa			1
Max. inlet temperature for reheating	°C			45
Values				
Max. permissible inlet temperature	°C			60
ON	l/min			>2.5
Pressure drop at flow rate	MPa			0.08/0.1/0.13
Flow rate for pressure drop	l/min			5.2/6.0/6.9
DHW delivery	l/min			9.4/11.0/12.6
Δθ on delivery	K			26
Hydraulic data				
Nominal capacity	l			0.4
Versions				
Adjustable connected load				X
Temperature settings	°C			30-60
Insulating block				Plastic
Heating system heat generator				Bare wire
Cover and back panel				Plastic
Colour				White
IP rating				IP25
Dimensions				
Height	mm			485
Width	mm			226
Depth	mm			93
Weights				
Weight	kg			3.8



Note

The appliance conforms to IEC 61000-3-12.

		Mini FFB
Dimensions (H/W/D) excluding wall mounting bracket	mm	50/50/17
Radio frequency	MHz	868.3
Range inside a building incl. one separating ceiling	m	Approx. 25
Temperature setting range	°C	30-60
IP rating to EN 60529	Shower	IP X5
	Bath	IP X7
Battery type		1 x CR 2032

Guarantee

The guarantee conditions of our German companies do not apply to appliances acquired outside of Germany. In countries where our subsidiaries sell our products a guarantee can only be issued by those subsidiaries. Such guarantee is only granted if the subsidiary has issued its own terms of guarantee. No other guarantee will be granted.

We shall not provide any guarantee for appliances acquired in countries where we have no subsidiary to sell our products. This will not affect warranties issued by any importers.

Environment and recycling

We would ask you to help protect the environment. After use, dispose of the various materials in accordance with national regulations.

ZVLÁŠTNÍ POKYNY**OBSLUHA**

1. Obecné pokyny	22
1.1 Bezpečnostní pokyny	22
1.2 Jiné symboly použité v této dokumentaci	22
1.3 Měrné jednotky	22
2. Zabezpečení	22
2.1 Správné používání	22
2.2 Všeobecné bezpečnostní pokyny	22
2.3 Kontrolní symbol	23
3. Popis přístroje	23
4. Nastavení	23
4.1 Nastavení a zobrazení na přístroji	23
4.2 Nastavení v nabídce INFO	24
4.3 Nastavení na tlačítku bezdrátového ovládání	26
4.4 Další funkce	26
4.5 Doporučená nastavení	26
5. Čištění, péče a údržba	26
6. Odstranění problémů	26

INSTALACE

7. Zabezpečení	27
7.1 Všeobecné bezpečnostní pokyny	27
7.2 Provoz sprchy	27
7.3 Předpisy, normy a ustanovení	27
8. Popis přístroje	28
8.1 Rozsah dodávky	28
9. Příprava	28
9.1 Místo montáže	28
9.2 Vodovodní instalace	28
10. Montáž	29
10.1 Standardní montáž	29
10.2 Alternativy montáže	31
10.3 Dokončení montáže	32
10.4 Montáž tlačítka bezdrátového ovládání	33
11. Uvedení do provozu	33
11.1 První uvedení do provozu	33
11.2 Opětovné uvedení do provozu	33
12. Uvedení mimo provoz	33
13. Odstraňování poruch	34
13.1 Režim Zákaznický servis	34
14. Údržba	35
15. Technické údaje	35
15.1 Rozměry a přípojky	35
15.2 Schémata zapojení	36
15.3 Nastavení z výroby	36
15.4 Výkon teplé vody	36
15.5 Oblast použití / Převodní tabulka	36
15.6 Ztráty tlaku	36
15.7 Podmínky v případě poruchy	36
15.8 Údaje ke spotřebě energie	37
15.9 Tabulky dat	37

ZÁRUKA**ŽIVOTNÍ PROSTŘEDÍ A RECYKLACE****ZVLÁŠTNÍ POKYNY**

- Příklad: Přístroj smí používat děti od 3 let a osoby se sníženými fyzickými, sensorickými nebo mentálními schopnostmi nebo s nedostatkem zkušeností a znalostí pouze pod dozorem nebo po poučení o bezpečném používání přístroje, a poté, co porozuměly nebezpečí, které z jeho používání plyne. Nenechávejte děti, aby si s přístrojem hrály. Čištění a uživatelskou údržbu nesmějí provádět děti bez dozoru.
- Armatura může dosáhnout teploty až 60 °C. Pokud je teplota na výtoku vyšší než 43 °C, hrozí nebezpečí opaření.
- Příklad: Přístroj je vhodný k zásobování sprchy (provoz sprchy). Používá-li se přístroj také nebo výhradně pro provoz sprchy, musí autorizovaný servis omezit rozsah nastavení teplot přes omezení teploty (55 °C nebo nižší) v přístroji. Při použití předehřáté vody je nutné zajistit, aby nebyla překročena vstupní teplota 55 °C.
- Příklad: Přístroj musí být možné odpojit od síťové přípojky na všech pólech na vzdálenost nejméně 3 mm.
- Uvedené napětí se musí shodovat s napájením.
- Příklad: Přístroj musí být připojen k ochrannému vodiči.
- Příklad: Přístroj musí být trvale připojen k pevné kabeláži.
- Upevněte přístroj způsobem popsaným v kapitole „Instalace / Montáž“.
- Dodržujte maximální dovolený tlak (viz kapitola „Instalace / Technické údaje / Tabulka s technickými údaji“).
- Nesmí být nedosažena hodnota měrného odporu vody z vodovodní sítě (viz kapitola „Instalace / Technické údaje / Tabulka s technickými údaji“).
- Vypusťte přístroj způsobem podle popisu v kapitole „Instalace / Údržba / Vypuštění přístroje“.

OBSLUHA

1. Obecné pokyny

Kapitoly „Zvláštní pokyny“ a „Obsluha“ jsou určeny uživatelům přístroje a instalačním technikům.

Kapitola „Instalace“ je určena instalačním technikům.



Upozornění

Dříve, než zahájíte provoz, si pozorně přečtěte tento návod a pečlivě jej uschovejte. Případně předejte návod dalšímu uživateli.

1.1 Bezpečnostní pokyny

1.1.1 Struktura bezpečnostních pokynů



UVOZUJÍCÍ SLOVO - Druh nebezpečí

Zde jsou uvedeny možné následky nedodržení bezpečnostních pokynů.

► Zde jsou uvedena opatření k odvrácení nebezpečí.

1.1.2 Symboly, druh nebezpečí

Symbol	Druh nebezpečí
	Úraz
	Úraz elektrickým proudem
	Popálení (popálení, opaření)

1.1.3 Uvozující slova

UVOZUJÍCÍ SLOVO	Význam
NEBEZPEČÍ	Pokyny, jejichž nedodržení má za následek vážné nebo smrtelné úrazy.
VÝSTRAHA	Pokyny, jejichž nedodržení může mít za následek vážné nebo smrtelné úrazy.
POZOR	Pokyny, jejichž nedodržení může mít za následek středně vážné nebo lehké úrazy.

1.2 Jiné symboly použité v této dokumentaci



Upozornění

Obecné pokyny jsou označeny symbolem zobrazeným vedle. ► Texty upozornění čtěte pečlivě.

Symbol	Význam
	Věcné škody (poškození přístroje, následně škody, poškození životního prostředí)
	Likvidace přístroje

► Tento symbol vás vyzývá k určitému jednání. Potřebné úkony jsou popsány po jednotlivých krocích.

1.3 Měrné jednotky



Upozornění

Pokud není uvedeno jinak, jsou všechny rozměry uvedeny v milimetrech.

2. Zabezpečení

2.1 Správné používání

Tlakové zařízení slouží k ohřevu pitné vody nebo k dodatečnému ohřevu přehřáté vody. Může zásobovat jedno nebo několik odběrných míst.

Přístroj je určen k použití v domácnostech. Mohou jej tedy bezpečně obsluhovat neškolené osoby. Lze jej používat i mimo domácnosti, např. v drobném průmyslu, pokud je provozován stejným způsobem jako v domácnostech.

Jiné použití nebo použití nad rámec daného rozsahu je považováno za použití v rozporu s určením. K použití v souladu s určením patří také dodržování tohoto návodu a návodů k používanému příslušenství.

2.2 Všeobecné bezpečnostní pokyny



Upozornění

Tlačítko bezdrátového ovládání je vybaveno lithiovým knoflíkovým článkem jako baterie pro napájení.

Vybité baterie zlikvidujte. Vytékající baterie způsobují škody, za které neručíme. Nedobíjecí baterie se nesmějí nabíjet.

Používání dobíjecích baterií a akumulátorů není dovoleno.

Pokud se přístroj delší dobu nepoužívá, měli byste baterie odstranit (viz kapitola „Odstranění problémů / Výměna baterie tlačítka bezdrátového ovládání“).



POZOR, nebezpečí popálení

Armatura může dosáhnout teploty až 60 °C. Pokud je teplota na výstupu vyšší než 43 °C, hrozí nebezpečí opaření.



POZOR, nebezpečí popálení

Teplota teplé vody se může za provozu s přehřátou vodou, např. ze solárního systému, lišit od nastavené požadované teploty.



VÝSTRAHA úraz

Přístroj smí používat děti od 3 let a osoby se sníženými fyzickými, sensorickými nebo mentálními schopnostmi nebo s nedostatkem zkušeností a znalostí pouze pod dozorem nebo po poučení o bezpečném používání přístroje, a poté, co porozuměly nebezpečí, které z jeho používání plyne. Nenechávejte děti, aby si s přístrojem hrály. Čištění a uživatelskou údržbu nesmějí provádět děti bez dozoru.

Popis přístroje

Pokud přístroj používají děti nebo osoby s omezenými tělesnými, senzoryckými nebo duševními schopnostmi, doporučujeme trvalé omezení teploty. Omezení si můžete nechat nastavit autorizovaným servisem.



Věcné škody

Uživatel musí přístroj a armaturu chránit před mrazem.

2.3 Kontrolní symbol

Viz typový štítek na přístroji.

3. Popis přístroje

Přístroj slouží k ohřevu vody, která jím protéká. Výstupní teplotu teplé vody můžete plynule nastavit pomocí regulátoru teploty. Od určitého průtoku nastaví regulace potřebný výkon ohřevu v závislosti na nastavené teplotě a na teplotě studené vody.

Při nízkých teplotách na přítoku a při vysoké požadované teplotě se průtok automaticky zmenšuje aktivací regulačního ventilu průtoku. Tak je zajištěno, že bude spolehlivě dosaženo požadované teploty. Při provozu s přehřátou vodou se od 45 °C na displeji objeví „Error“.

Můžete uložit 2 různé teploty, které lze pak rychle nastavit. Funkce ECO omezuje průtokové množství na průtok ECO a nastaví předem zvolenou teplotu ECO. Přístroj kromě toho disponuje funkcemi jako je dětská pojistka, wellness program, automatika množství vody, jakož i dynamická ochrana před opařením a trvalé omezení teploty. Podsvícení displeje na přístroji lze také použít jako orientační osvětlení.

Topný systém

Topný systém s holou spirálou je vybaven plastovým tlakovým pláštěm. Topný systém je vhodný pro vodu s nízkým i vyšším obsahem vápenných solí, systém je do značné míry necitlivý vůči zanášení vodním kamenem. Topný systém zajišťuje rychlou a účinnou přípravu teplé vody.

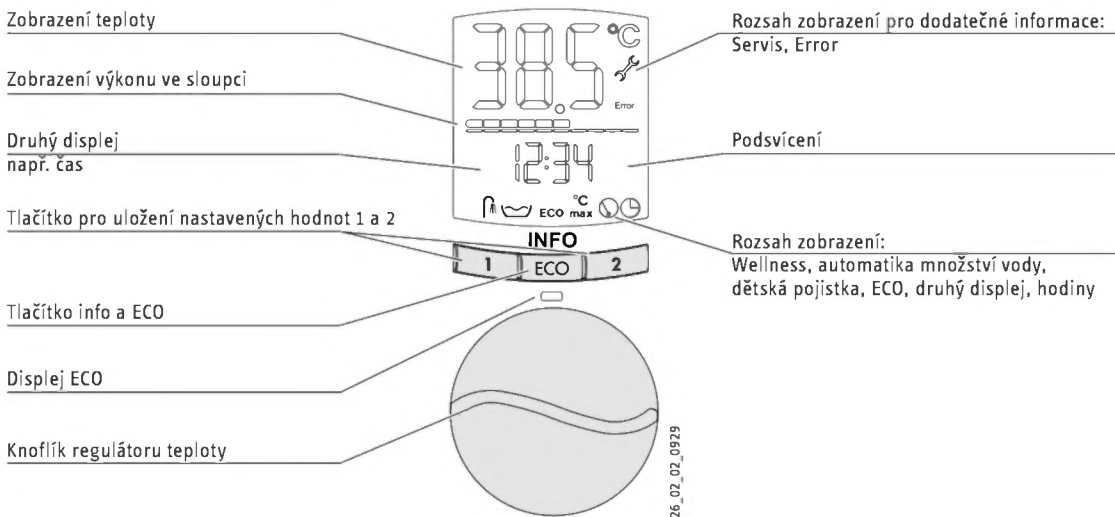


Upozornění

Přístroj je vybaven zařízením, které rozpoznává, zda je v systému voda. Tím je zabráněno poškození topného systému. Pokud se za provozu dostane do přístroje vzduch, přístroj vypne na jednu minutu topný výkon a chrání tak topný systém.

4. Nastavení

4.1 Nastavení a zobrazení na přístroji



Rozsah zobrazení

	Wellness		Druhý řádek
	Automatické množství vody		Hod.
ECO	Režim ECO		Orientační osvětlení
°C max	Dětská pojistka		

Rozsah zobrazení pro dodatečné informace

► Informujte autorizovaný servis, pokud se zobrazují následující symboly:


Error	Error
	Servis

OBSLUHA

Nastavení

4.1.1 Nastavení teploty



Otáčením regulátoru teploty můžete plynule nastavit požadovanou teplotu. Zobrazí se nastavená teplota.

Obsluha	Ukazatel
 <p>Zvolte teplotu 30-60 °C, možnost plynulého nastavení</p>	<p>např. 43 °C</p>
OFF = topení vypnuto	

4.1.2 Tlačítka pro uložení nastavených hodnot

Pomocí tlačítek pro uložení nastavených hodnot můžete rychle zvolit dvě různé teploty. Tyto teploty si můžete určit.

Přiřazení k tlačítkům pro uložení nastavených hodnot

 <p>Nastavení požadované teploty např. 38 °C. 30-60 °C k uložení</p>	<p>např. 38 °C a 43 °C Displej jednou krátce zabliká, teplota je uložena</p>
 <p>Stiskněte tlačítko 1 nebo tlačítko 2 na 3 sekundy</p>	

Volba pomocí tlačítka pro uložení nastavených hodnot

 <p>Stiskněte tlačítko 1 nebo tlačítko 2</p>	<p>např. 38 °C a 43 °C</p>
---	----------------------------

4.1.3 zvolit / zrušit ECO


Pomocí tlačítka ECO zapínáte a vypínáte funkci ECO. Pokud jste zapnuli funkci ECO, rozsvítí se zelená kontrolka LED pod tlačítkem. Navíc se zobrazí symbol ECO.

Funkce ECO omezuje průtokové množství na průtok ECO a nastaví předem zvolenou teplotu ECO. Obě hodnoty můžete upravit pomocí nabídky INFO.

Upozornění

Každé přenastavení teploty na přístroji (pomocí tlačítka pro nastavení teploty nebo tlačítek pro uložení nastavených hodnot) vede ke zrušení funkce ECO. Funkci ECO pak musíte v případě potřeby znovu zapnout.

Pokud jste teplotu zvolili pomocí tlačítka rádiového ovládání, zapne se funkce ECO znovu samostatně i po zrušení.

 <p>Stisknout tlačítko ECO: zvolit ECO</p>	<p>ECO</p>	<p>Svítil zelená LED.</p>
<p>Stisknout tlačítko ECO: zrušit volbu ECO</p>	<p>ECO vyp</p>	<p>LED nesvítil.</p>


4.2 Nastavení v nabídce INFO

Pomocí tlačítka ECO se dostanete do nabídky INFO a můžete tak nastavit komfortní funkce nastavit individuálně a/nebo vyvolávat hodnoty: Nastavení teplot ECO / průtokového množství, dětské pojistky, wellness programu, automatiky množství vody. Pomocí tlačítka ECO můžete určit jas displeje a orientačního osvětlení.


Možnosti nastavení se zobrazí, pokud podržíte stisknuté tlačítko ECO déle než tři sekundy.

Po každém dalším stisknutí tlačítka ECO se dostanete vždy k následující funkci.

Jakmile dosáhnete požadované funkce, můžete nastavení funkce změnit otočením tlačítka pro nastavení teploty.

Obsluha	Ukazatel
<p>Vstup do nabídky</p>  <p>Stisknutí a podržení tlačítka ECO po 3 sekundy</p>	<p>ECO 38 °C</p>



Všechna nastavení v nabídce INFO se okamžitě uplatní.

<p>Opuštění nabídky</p>  <p>Stisknutí a podržení tlačítka ECO po 3 sekundy.</p>	<p>zvolená nastavení</p>
--	--------------------------




Po cca 40 sekundách bez stisknutí tlačítka dojde k opuštění nabídky INFO.

4.2.1 Funkce ECO

Nastavení teploty ECO

 <p>Stisknutí a podržení tlačítka ECO po 3 sekundy</p>	<p>ECO 38 °C</p>
 <p>Nastavit teplotu, rozsah: 30-60 °C</p>	<p>např. 40 °C</p>

Nastavit průtok ECO

 <p>Stisknutí a podržení tlačítka ECO po 3 sekundy</p>	<p>ECO 38 °C</p>
 <p>Krátce stisknout tlačítko ECO</p>	<p>ECO 8,0 l/min</p>
 <p>Nastavit průtok 4-15 l/min</p>	<p>ECO např. 6,0 l/min.</p>

4.2.2 Nastavit světlost podsvícení modře a červeně




Displej na přístroji je vybaven podsvícením. Pokud nastavíte teploty do 42,5 °C, svítí podsvícení modře, u teplot od 43,0 °C změnil displej barvu na červenou.

Pozadí zobrazení se rozsvítí, pokud stisknete tlačítko, otočíte tlačítkem pro nastavení teploty, nebo pokud přístrojem protéká větší množství vody, než jaké je množství k zapnutí.

Pokud během 30 sekund nedojde k žádnému odběru vody ani ovládání, vypne se podsvícení (pouze při zvoleném vypnutém orientačním osvětlení).

Při odběru delším než 15 minut se jas sníží (snížení pouze při nastavení > 20 %).

Jas můžete individuálně v červené a modré upravit v pěti stupních.




 <p>Stisknutí a podržení tlačítka ECO po 3 sekundy</p>	<p>ECO 38 °C</p>
 <p>Několikrát krátce stisknout tlačítko ECO</p>	<p>modrá červená</p>
 <p>Zvolit intenzitu barev modrá a červená</p>	<p>100 % 20 %</p>

OBSLUHA

Nastavení






4.2.3 Zapnout / vypnout orientační světlo

Podsвіcení slouží k lepší orientaci v tmavých prostorách. K tomu můžete zapnout osvětlení jako stálé světlo. Orientační osvětlení potom svítí s intenzitou nastaveného podsвіcení.

	Stisknutí a podržení tlačítka ECO po 3 sekundy	ECO 38 °C
	Několikrát krátce stisknout tlačítko ECO	OFF
	Zvolit „OFF“ / „On“	OFF: vypnuto On: zapnuto




4.2.4 Zapnout / vypnout / nastavit dětskou pojistku

Přístroj můžete připojit na maximální teplotu).

	Stisknutí a podržení tlačítka ECO po 3 sekundy	ECO 38 °C
	Několikrát krátce stisknout tlačítko ECO	°C max OFF
	Zvolit „OFF“ / „On“.	OFF: vypnuto On: zapnuto
	Krátce stisknout tlačítko ECO	°C max 43 °C
	Nastavení teploty	°C max např. 36 °C






4.2.5 Zapnout / vypnout komfortní funkci wellness

Trvale můžete komfortní funkci wellness nastavit tak, že po třech minutách doby odběru snížíte teplotu o 10 °C a po 10 sekundách ji opět zvýšíte. Po dalších 10 sekundách se teplota opět sníží o 10 °C a po 10 sekundách opět zvýší. Toto střídání teplot vydrží až do konce odběru.

	Stisknutí a podržení tlačítka ECO po 3 sekundy	ECO 38 °C
	Několikrát krátce stisknout tlačítko ECO	OFF
	Zvolit „OFF“ / „On“	OFF: vypnuto On: zapnuto

4.2.6 Zapnout / vypnout / nastavit automatiku množství vody

Automatiku množství vody můžete nastavit tak, že se po určitém odebraném množství sníží průtok na cca 4 l/min. Tímto způsobem můžete ovlivnit množství vody a tím i dobu sprchování. Nastavená automatika množství vody platí pouze pro následující odběr.

	Stisknutí a podržení tlačítka ECO po 3 sekundy.	ECO 38 °C
	Několikrát krátce stisknout tlačítko ECO.	OFF
	Zvolit „OFF“ / „On“	OFF: vypnuto On: zapnuto
	na nastavení „On“ krátce stisknout tlačítko ECO	80 l
	Nastavit množství vody 5-200 l	např. 150 l





4.2.7 Zvolit druhý řádek na displeji

Můžete zvolit, která další informace se zobrazí na druhém řádku: l/min Průtok


kWh Spotřeba energie (Hodnoty těchto zobrazení spotřeby lze nastavit na nulu.)

m³ Množství vody (Hodnoty těchto zobrazení spotřeby můžete nastavit na nulu.)





Hod. Čas (Po přerušení dodávky energie musíte hodiny znovu nastavit.)

	Stisknutí a podržení tlačítka ECO po 3 sekundy	ECO 38 °C
	Několikrát krátce stisknout tlačítko ECO	
	Zvolit zobrazenou hodnotu druhého řádku	zvolená obrazovka

Ukazatel spotřeby „Spotřeba energie a množství vody“ nastavte na nulu.

	v nabídce INFO současně stisknete tlačítko 1 a tlačítko 2, když se na displeji objeví příslušná hodnota spotřeby	0
--	--	---

4.2.8 Nastavení času

	Stisknutí a podržení tlačítka ECO po 3 sekundy	ECO 38 °C
	Několikrát krátce stisknout tlačítko ECO	
	Volba času	např. 12:15 Poznámka: po přerušení dodávky energie znovu nastavit čas

4.2.9 Tlačítka bezdrátového ovládání - vyvolat / přihlásit / odhlásit



Přístroj můžete ovládat na dálku pomocí tlačítek bezdrátového ovládání. Vysílač je vodě odolný a lze ho používat i při sprchování a koupání. Můžete kombinovat až čtyři tlačítka bezdrátového ovládání. Pomocí tlačítka bezdrátového ovládání můžete ovlivnit teplotu přístroje i na dálku (např. od kuchyňského dřezu).

Tlačítko bezdrátového ovládání má čtyři tlačítka pro volbu teploty (38 °C a 55 °C pevně nastaveno; tlačítko plus a mínus pro změnu teploty o 0,5 °C). Pokud jsou na přístroj vyslány signály, rozsvítí se červená kontrolka LED na tlačítku bezdrátového ovládání.

V režimu ECO se funkce ECO pro následující odběr zruší, pokud stisknete libovolnou klávesu na tlačítku bezdrátového ovládání. Dvě minuty po odběru dojde k návratu do režimu ECO.

Je-li přístroj v normálním režimu, je konstantní nastavení teploty možné pomocí bezdrátového ovladače.

Tlačítko bezdrátového ovládání - kontrola na přístroji

	Stisknutí a podržení tlačítka ECO po 3 sekundy	ECO 38 °C
	Několikrát krátce stisknout tlačítko ECO	rc 1-4 Počet registrovaných tlačítek bezdrátového ovládání (rc: remote control)

Provést registraci tlačítka bezdrátového ovládání

	Stisknutí a podržení tlačítka ECO po 3 sekundy	ECO 38 °C
	Několikrát krátce stisknout tlačítka ECO	rc 1
	Stisknout tlačítka 1: Aktivuje se fáze záběhu. Stiskněte libovolnou klávesu tlačítka bezdrátového ovládání.	Probíhá zobrazení sloupců. Bliká zelená LED. rc 2 Zobrazení sloupců zhasne. Rozpoznáno tlačítka bezdrátového ovládání

Provést odhlášení tlačítka bezdrátového ovládání od přístroje

	Stisknutí a podržení tlačítka ECO po 3 sekundy	ECO 38 °C
	Několikrát krátce stisknout tlačítka ECO	rc 2
	v režimu „rc“ stlačit tlačítka 2	rc 0: všechna tlačítka bezdrátového ovládání odhlášena

4.2.10 Obnovení výrobního nastavení

	Stiskněte tlačítka 1 a tlačítka 2 současně na 2 sekundy	Displej bliká kvůli potvrzení.
--	---	--------------------------------

Ochrana před opařením a zaběhnutá tlačítka rádiového ovládání se neresetují (výrobní nastavení viz kapitola „Technické údaje“).

4.3 Nastavení na tlačítka bezdrátového ovládání

	stisknout 38°	38 °C
	stisknout 55°	55 °C
	stisknout +	1x stisknout: Požadovaná hodnota zvýšena o 0,5 °C.
	stisknout -	1x stisknout: Požadovaná hodnota snížena o 0,5 °C.

Topný systém přístroje můžete přepnout na OFF tlačítkem bezdrátového ovládání. Za tímto účelem stiskněte tlačítka minus na dobu 3 sekund. K opětovnému zapnutí stiskněte libovolnou klávesu.

4.4 Další funkce

4.4.1 Dynamická ochrana před opařením

Přístroj je vybaven dynamickou ochranou před opařením. Uživatel, který nejprve zvolí teplotu na přístroji nebo na tlačítka bezdrátového ovládání, tak určí teplotu pro následující odběr. Žádný další uživatel nemůže v následujících dvou minutách nebo během odběru nebo v následujících dvou minutách po konci odběru zvýšit teplotu na více než 43 °C.

4.4.2 Ochrana před opařením

Autorizovaný servis může nastavit trvalé omezení teploty (viz kapitola „Odstranění poruchy / Režim Zákaznický servis“). Tím se předchází tomu, aby z přístroje vytékala voda o takové teplotě, která by mohla způsobit zranění.

4.5 Doporučená nastavení

Úspora energie

Nejméně energie potřebujete u následujících, námi doporučovaných, nastavení:

- 38 °C pro umyvadla, sprchy, vany,
- Teplota 55 °C pro kuchyňské dřezy.

Armatura s termostatem

Pokud provozujete přístroj s armaturou s termostatem, doporučujeme vám nastavit teplotu na přístroji na maximální teplotu (tlačítka pro nastavení teploty na 60 °C). Požadovanou teplotu pak nastavte na armatuře s termostatem.

Po přerušení přívodu vody



Věcné škody

Po přerušení dodávky vody je nutné přístroj opětovně uvést do provozu pomocí následujících kroků, aby nedošlo k poškození topného systému s holou spirálou.

- ▶ Odpojte přístroj od napětí vypnutím pojistek.
- ▶ Otevřete armaturu na dobu jedné minuty, dokud nejsou přístroj a předřazená přípojka studené vody odvzdušněné.
- ▶ Opět zapněte síťové napětí.

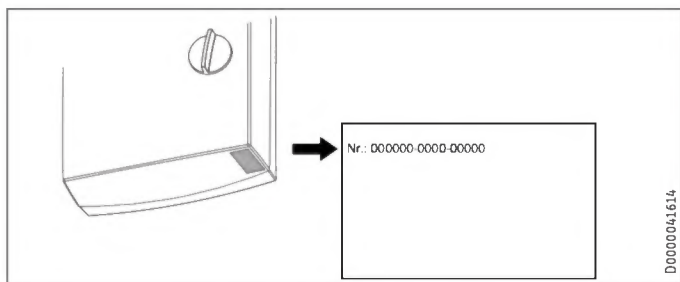
5. Čištění, péče a údržba

- ▶ Nepoužívejte abrazivní čisticí prostředky nebo prostředky obsahující rozpouštědla. K ošetřování a údržbě přístroje stačí vlhká textilie.
- ▶ Kontrolujte pravidelně armatury. Vodní kámen na výtocích z armatur odstraníte běžnými prostředky k odstranění vodního kamene.

6. Odstranění problémů

Problém	Příčina	Odstranění
I když je ventil teplé vody zcela otevřen, přístroj se nezapne.	Došlo k výpadku elektrického napájení.	Zkontrolujte pojistky vnitřní instalace.
	Perlátor v armatuře nebo sprchová hlavice jsou zaneseny vodním kamenem nebo jsou znečištěné.	Vyčistěte perlátor nebo sprchovou hlavici a zbavte je vodního kamene.
Není dosaženo požadované teploty > 45 °C.	Je přerušen přívod vody.	Odvzdušněte přístroj a přívod studené vody (viz kapitola „Nastavení“).
	Teplota vstupní studené vody je > 45 °C.	Snížte teplotu vstupní studené vody.
Průtok je příliš nízký.	Režim ECO je zapnutý a průtok v režimu ECO je nastaven na příliš nízkou hodnotu.	Nastavte vyšší průtok ECO.
Teplotu vyšší než 43 °C nelze nastavit.	Dynamická ochrana před opařením je aktivní.	Ruší se automaticky dvě minuty po konci odběru.

Pokud nelze příčinu odstranit, kontaktujte odborníka. Pro lepší a rychlejší pomoc mu sdělte číslo (č. 000000-0000-00000), které je uvedeno na typovém štítku.



Výměna baterie tlačítka bezdrátového ovládání

Problém	Příčina	Odstranění
LED bliká na tlačítku bezdrátového ovládání během a po procesu odesílání.	Baterie tlačítka bezdrátového ovládání je prázdná.	Vyměňte baterii.



Věcné škody

- Vybitou baterii vyjměte. Neručíme za škody způsobené vybitou baterií.

- Otevřete kryt tlačítka bezdrátového ovládání tím, že uvolníte šrouby na zadní straně a kryt nepatrně vypáčíte.
- Vyměňte baterii, typ baterie viz kapitola „Technické údaje / Tabulka údajů“.



Upozornění

Kladný pól baterie musí být na odvrácené straně od základní desky.

- Zavřete kryt. Přitom dávejte pozor na drážku na kraji víka. Pomocí drážky se určuje správná poloha víka a je zajištěno utěsnění krytu.



Likvidace baterie

Nevhazujte baterie do domovního odpadu. Vybité baterie obsahují možné škodlivé látky, které mohou škodit zdraví a životnímu prostředí. Použité baterie je nutné předat obchodu nebo sběrnému místu nebezpečného odpadu.

INSTALACE

7. Zabezpečení

Instalaci, uvedení do provozu, údržbu a opravy přístroje smí provádět pouze odborník.

7.1 Všeobecné bezpečnostní pokyny

Řádnou funkci a spolehlivý provoz lze zaručit pouze v případě použití původního příslušenství a originálních náhradních dílů určených pro tento přístroj.



Věcné škody

Dodržujte maximální vstupní teplotu. Při vyšších teplotách může dojít k poškození přístroje. Instalací centrální termostatické armatury můžete omezit maximální teplotu přítoku.



VÝSTRAHA elektrický proud

Tento přístroj obsahuje kondenzátory, které se po odpojení od elektrické sítě vybijí. Vybíjecí napětí kondenzátoru může krátkodobě činit > 60 V DC.

7.2 Provoz sprchy



POZOR, nebezpečí popálení

► Při zásobování sprchy nastavte interní omezení teploty na 55 °C nebo nižší, viz kapitola „Popis přístroje / Režim zákaznického servisu ochrana před opařením / omezení teploty nabídka“.



POZOR, nebezpečí popálení

Při zásobování přístroje předehřátou vodou dbejte následujících upozornění:
Interně nastavitelné omezení teploty se příp. překročí.
► Omezte teplotu na předřazené centrální armatuře s termostatem.

7.3 Předpisy, normy a ustanovení



Upozornění

Dodržujte všechny národní a místní předpisy a ustanovení.

- Krytí IP 25 (ochrana proti stříkající vodě) je zaručeno pouze v případě odborně instalované kabelové průchodky.
- Měrný elektrický odpor vody nesmí být menší než hodnota uvedená na typovém štítku. V případě propojení několika vodovodních sítí je nezbytné vzít v úvahu nejnižší elektrický odpor vody (viz kapitola „Technické údaje / Oblasti použití / Převodní tabulka“). Hodnoty měrného elektrického odporu vody nebo elektrické vodivosti vody zjistíte u vašeho dodavatele vody.

8. Popis přístroje

8.1 Rozsah dodávky

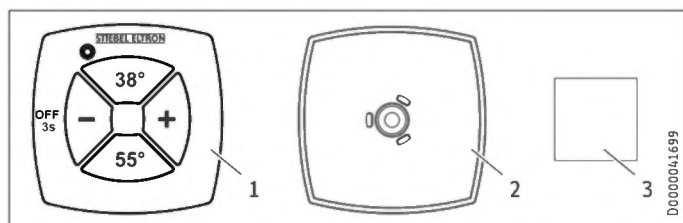
Spolu s přístrojem je dodáváno:

- Zavěšení na zeď
- Svorník se závitem pro zavěšení na zeď
- Montážní šablona
- 2 dvojité vsuvky (studená voda s uzavíracím ventilem)
- Plochá těsnění
- Kabelová průchodka (elektrické přívodní vedení nahoře / dole)
- Šrouby / hmoždinky k připevnění zadní stěny v případě montáže na vodovodní přípojku na stěnu
- Tlačítko bezdrátového ovládání Mini-FBB

Pro výměnu přístroje

- 2 prodloužení kohoutu

Tlačítko bezdrátového ovládání



- 1 Vysílač vč. baterie
- 2 Nástěnný držák
- 3 Lepicí výplň

9. Příprava

9.1 Místo montáže



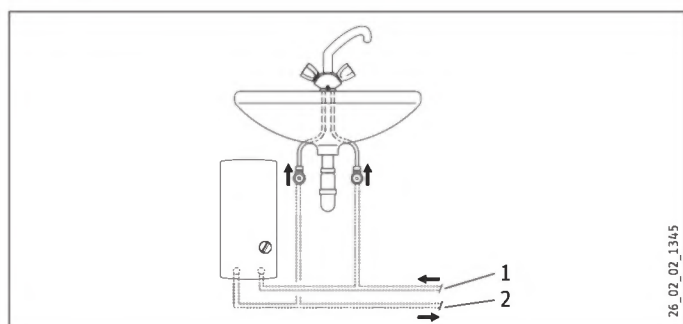
Věcné škody

Přístroj smí být instalován pouze v místnosti chráněné před mrazem.

- ▶ Přístroj montujte ve svislé poloze v blízkosti odběrného místa.

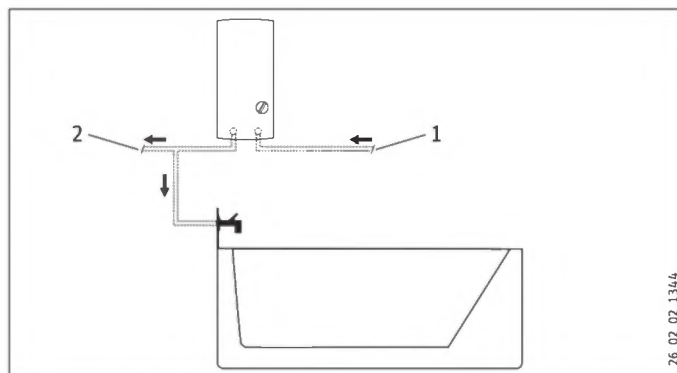
Přístroj je vhodný k montáži pod a nad umyvadlo.

Montáž pod umyvadlo



- 1 Vstup studené vody
- 2 Výstup teplé vody

Montáž nad umyvadlo



- 1 Vstup studené vody
- 2 Výstup teplé vody



Upozornění

▶ Namontujte přístroj na stěnu. Stěna musí mít dostatečnou nosnost.

9.2 Vodovodní instalace

- Pojistný ventil není nutný.
- Pojistné ventily v rozvodu teplé vody nejsou přípustné.
- ▶ Důkladně vypláchněte vodovodní vedení.

Armatury

Použijte vhodné tlakové armatury. Beztlakové armatury nejsou dovolené.



Upozornění

Uzavírací ventil na přívodu studené vody se nesmí používat k omezení průtoku. Slouží k uzavření přístroje.

Dovolené materiály vodovodního potrubí

- Přívod studené vody:
Žárově zinkovaná ocelová trubka, trubka z ušlechtilé oceli, měděná trubka nebo plastová trubka
- Výstupní potrubí teplé vody:
Trubka z ušlechtilé oceli, měděná trubka nebo plastová trubka



Věcné škody

V případě použití plastových potrubních systémů dodržujte maximální dovolenou vstupní teplotu a maximální dovolený tlak, uvedené v kapitole „Technické údaje / Tabulka údajů“.

Flexibilní přívodní vedení vody

- ▶ Při instalaci flexibilních přívodních vedení vody zamezte překroucení kolen s bajonetovými spoji v přístroji.
- ▶ Upevněte zadní stěnu dole pomocí dodatečných dvou šroubů.

10. Montáž

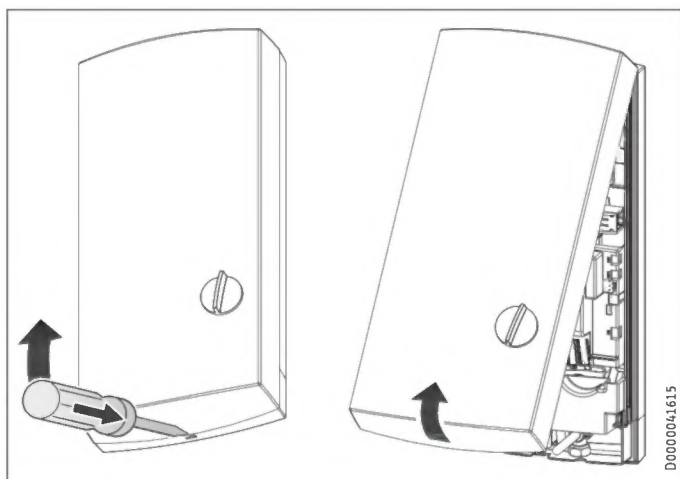
10.1 Standardní montáž

- Elektrická přípojka nahoře, instalace ve stěně (pod omítkou)
- Vodovodní přípojka s instalací ve stěně (pod omítkou)
- Střední příkon přednastaven

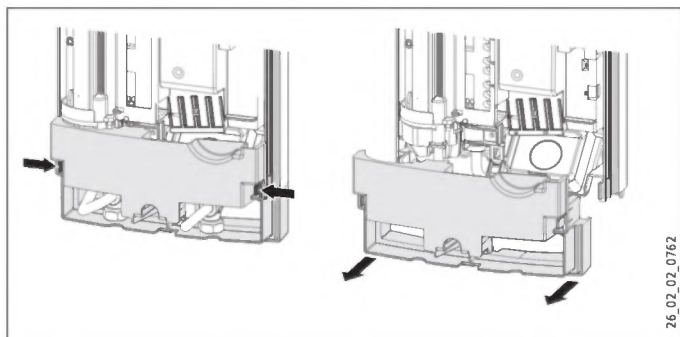
Další možnosti montáže viz kapitola „Alternativní postupy montáže“:

- Elektrická přípojka pod omítkou dole
- Elektrická přípojka na zdi
- Připojení zátěžového relé
- Vodovodní instalace na zdi
- Přípojka vody pod omítkou při výměně přístroje
- Provoz s předehřátou vodou
- Montáž tlačítka bezdrátového ovládání

Otevření přístroje

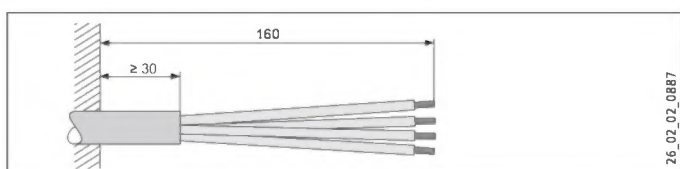


- Otevřete přístroj odblokováním pojistky.

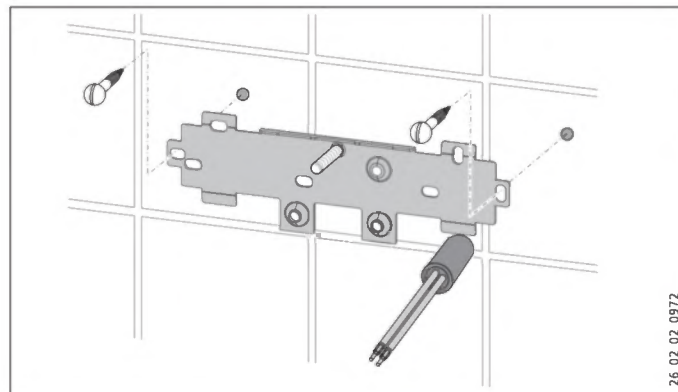


- Demontujte zadní stěnu zatlačením obou pojistných háčků a stáhněte spodní díl zadní stěny dopředu.

Příprava přívodního kabelu

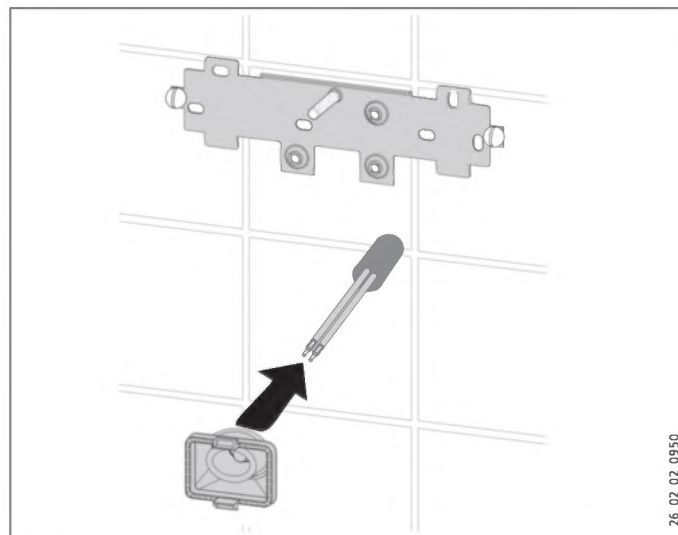


Montáž nástěnného závěsu



- Vyznačte pomocí montážní šablony vrtné otvory. V případě montáže s vodovodními přípojkami přímo na zdi musíte navíc označit upevňovací otvory ve spodní části šablony.
- Vyvrtejte otvory a upevněte zavěšovací konzolu na zeď pomocí 2 šroubů a 2 hmoždinek (šrouby a hmoždinky nejsou součástí dodávky).
- Namontujte přiložené svorníky se závitem.
- Namontujte konzolu na zeď.

Montáž kabelové průchodky



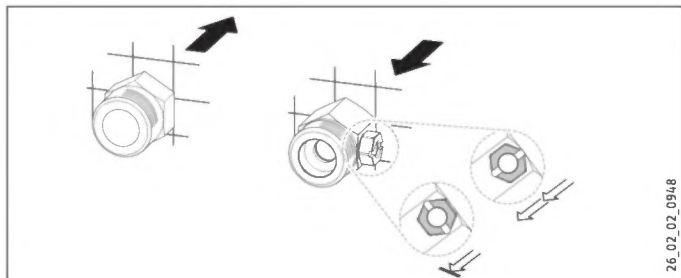
- Namontujte kabelovou průchodku. Je-li průřez připojovacího kabelu > 6 mm², musíte otvor v kabelové průchodce zvětšit.

INSTALACE

Montáž

Instalace vodovodní přípojky

- ! Věcné škody**
Veškeré vodovodní přípojky a instalace provádějte podle předpisů.

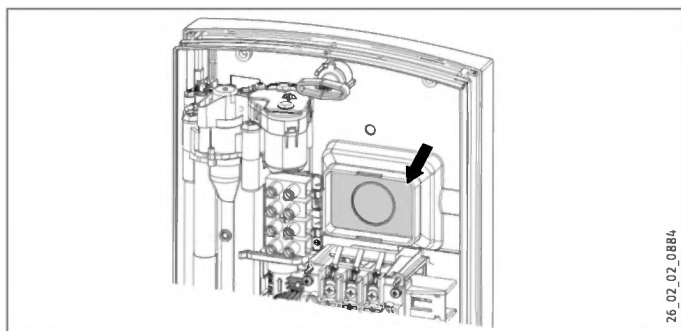


- Utěsněte a našroubujte dvojitou vsuvku.

- ! Věcné škody**
Uzavírací ventil na přívodu studené vody se nesmí používat k omezování průtoku.

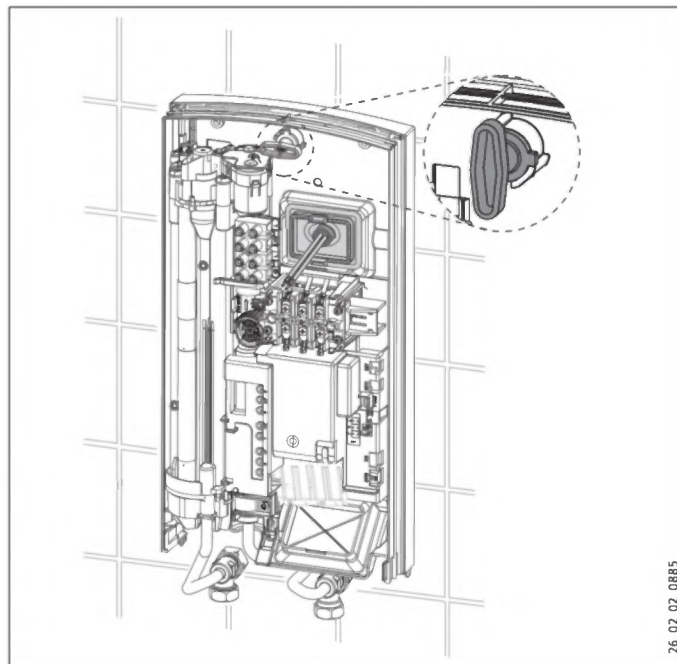
Příprava zadní stěny

- ! Věcné škody**
Pokud byste nedopatřením vylomili do zadní stěny nesprávný otvor, musíte použít novou zadní stěnu.

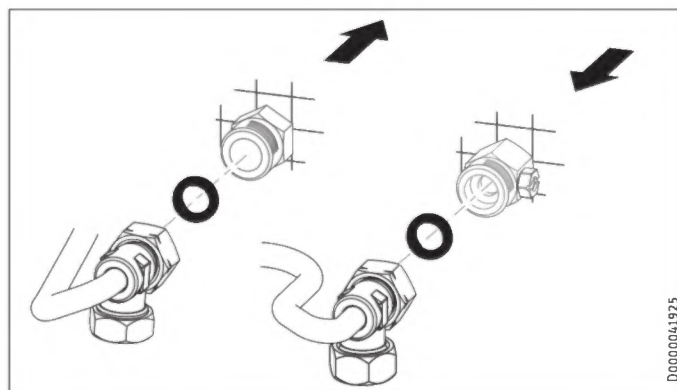


- Vylomte průchodku kabelu na zadní straně. V případě potřeby odstraňte pilníkem ostré hrany.

Montáž přístroje



- Zasuňte zadní stěnu přes svorník se závitem a kabelovou průchodku. Zatáhněte kabelovou průchodku pomocí kleští na háčcích do zadní stěny, dokud oba háčky slyšitelně nezaklapnou.
- Odstraňte z vodovodních přípojek ochranná transportní víčka.
- Pevně přitlačte zadní stěnu a zajistěte upevňovací páčku otáčením doprava o 90°.



- Přišroubujte trubky vodovodní přípojky s plochým těsněním na dvojitě vsuvky.

- ! Věcné škody**
Z důvodu funkce přístroje musíte instalovat sítko.
► Zkontrolujte při výměně přístroje, zda je k dispozici sítko (viz kapitola „Údržba“).

Připojení přívodu elektrické energie



VÝSTRAHA elektrický proud
Veškerá elektrická zapojení a instalace provádějte podle předpisů.



VÝSTRAHA elektrický proud
Přípojka k elektrické síti smí být provedena pouze jako pevná přípojka v kombinaci s vyjímatelnou kabelovou vsuvkou. Příklad musí být možné odpojit od síťové přípojky na všech pólech na vzdálenost nejméně 3 mm.



VÝSTRAHA elektrický proud
Pamatujte, že přístroj musí být připojen k ochrannému vodiči.

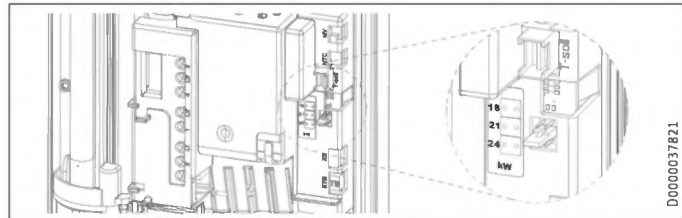


Věcné škody
Dodržujte údaje uvedené na typovém štítku. Uvedené napětí se musí shodovat se síťovým napětím.

- ▶ Připojte kabel elektrické přípojky ke svorce přívodního kabelu (viz kapitola „Technické údaje / Schémata elektrického zapojení“).

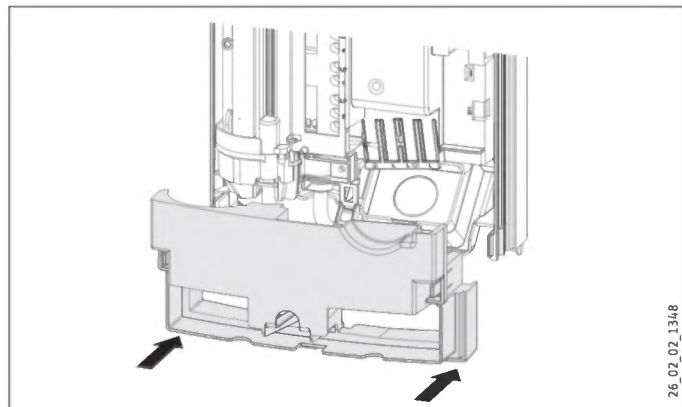
Změna zapojení kódovacího konektoru

Přístroj je při dodání nastaven na 21 kW. Pokud si přejete přestavit jiný příkon, musíte provést následující kroky:



- ▶ Zasuňte kódovací konektor v souladu se zvoleným příkonem (volitelný příkon a jištění přístroje viz kapitola „Technické údaje / Tabulka s technickými údaji“).
- ▶ Zakřížkujte zvolený příkon na typovém štítku. K tomuto účelu použijte propisku.

Montáž spodní části zadní stěny

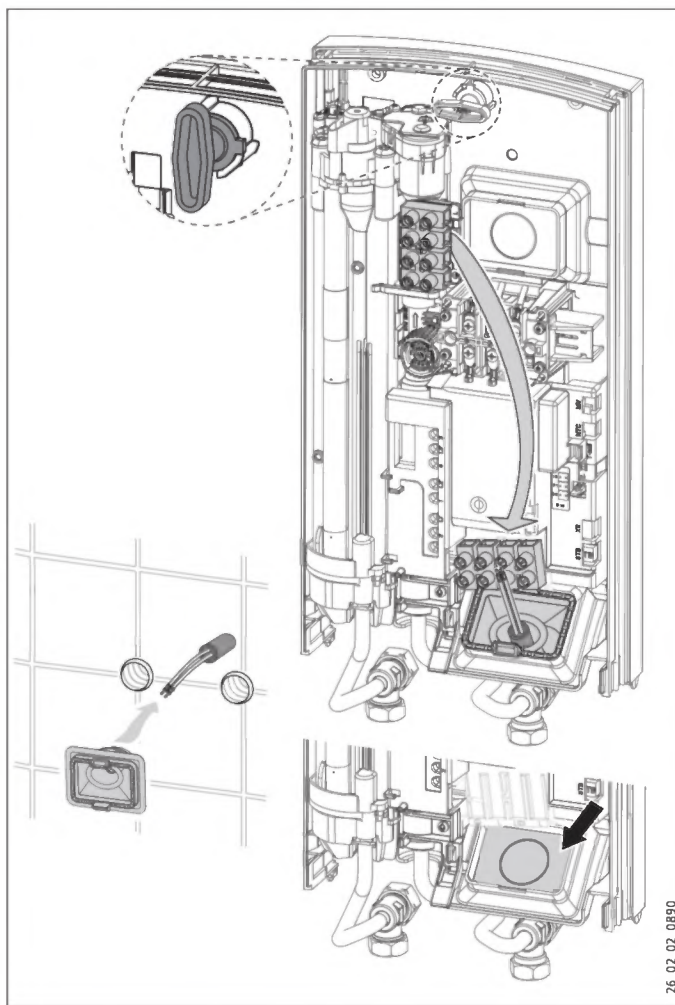


- ▶ Namontujte spodní díl zadní stěny do zadní stěny a zajistěte jej.

- ▶ Vyrovnajte namontovaný přístroj povolením upevňovací páčky, vyrovnajte elektrickou přípojku a zadní stěnu a opět utáhněte upevňovací páčku. Pokud zadní stěna přístroje nepřiléhá, můžete přístroj dole upevnit dvěma dalšími šrouby.

10.2 Alternativy montáže

10.2.1 Elektrická přípojka pod omítkou dole



- ▶ Namontujte kabelovou průchodku.



Věcné škody
Pokud byste nedopatřením vylomili do zadní stěny nesprávný otvor, musíte použít novou zadní stěnu.

- ▶ Vylomte průchodku kabelu na zadní straně. V případě potřeby odstraňte pilníkem ostré hrany.
- ▶ Přemístěte přívodní síťovou svorku v přístroji shora dolů.
- ▶ Zasuňte zadní stěnu přes svorník se závitem a kabelovou průchodku. Zatáhněte kabelovou průchodku pomocí kleští na háčcích do zadní stěny, dokud oba háčky slyšitelně nezaklapnou.
- ▶ Pevně přitlačte zadní stěnu a zajistěte upevňovací páčku otčením doprava o 90°.

INSTALACE

Montáž

10.2.2 Elektrická přípojka na zdi



Upozornění

Při tomto způsobu připojení se mění krytí přístroje.

- ▶ Proveďte změnu na typovém štítku. Přeškrtněte údaj IP 25 a označte křížkem políčko IP 24. K tomuto účelu použijte propisku.



Věcné škody

Pokud byste nedopatřením vylomili do zadní stěny nesprávný otvor, musíte použít novou zadní stěnu.

- ▶ Čistě vyřízněte nebo prorazte potřebnou průchodku v zadní stěně přístroje (umístění viz kapitola „Technické údaje / Rozměry a přípojky“). V případě potřeby odstraňte pilníkem ostré hrany.
- ▶ Vedte elektrický přívodní kabel kabelovou průchodkou a připojte jej k síťové svorkovnici.

10.2.3 Připojení zátěžového relé

Zátěžové relé používejte v kombinaci s jinými elektrickými přístroji v elektrickém rozvodu, například s elektrickými akumulacími ohříváči. K vypnutí zátěže dochází při provozu průtokového ohříváče.



Věcné škody

Připojte fázi, která spíná zátěžové relé, k označené svorce přívodního kabelu v přístroji (viz kapitola „Technické údaje / Schémata elektrického zapojení“).

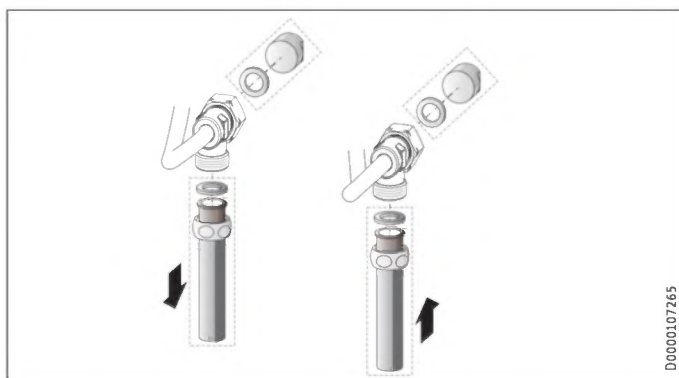
10.2.4 Vodovodní instalace na zdi



Upozornění

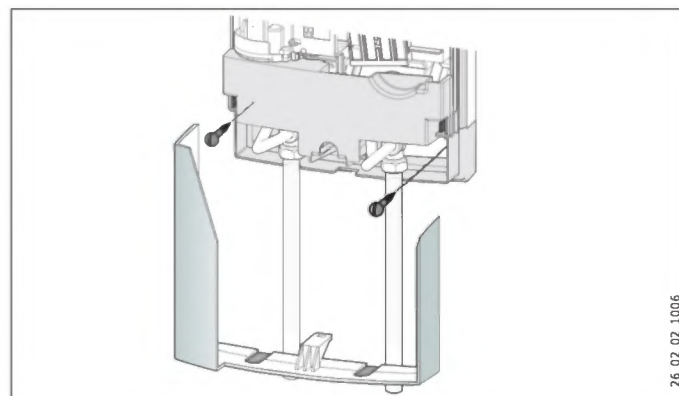
Při tomto způsobu připojení se mění krytí přístroje.

- ▶ Proveďte změnu na typovém štítku. Přeškrtněte údaj IP 25 a označte křížkem políčko IP 24. K tomuto účelu použijte propisku.



D0000107265

- ▶ Namontujte vodovodní zátku s těsněním tak, aby došlo k uzavření přívodu pod omítkou.
- ▶ Namontujte vhodnou tlakovou armaturu.



26_02_02_1006

- ▶ Upevněte zadní stěnu dole pomocí dodatečných dvou šroubů.
- ▶ Nasadte spodní díl zadní stěny pod připojovací trubky armatury a zajistěte jej.
- ▶ Přišroubujte přívodní trubky k přístroji.



Věcné škody

Pokud byste nedopatřením vylomili do víka přístroje nesprávný otvor, musíte použít nové víko.

- ▶ Proveďte čisté vylomení průchozích otvorů ve víku přístroje. V případě potřeby odstraňte pilníkem ostré hrany.

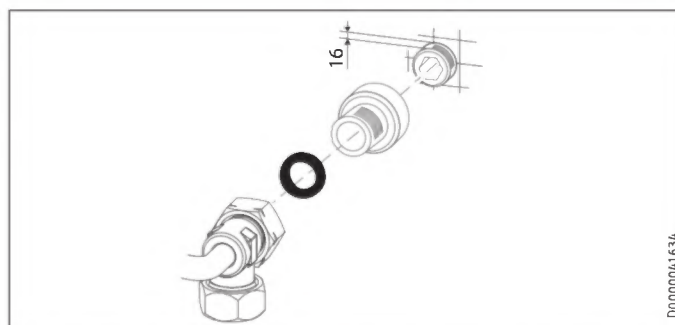
10.2.5 Vodovodní instalace pod omítkou při výměně přístroje

Pokud stávající dvojité vsuvky starého přístroje vyčnívají ze zdi pouze cca o 16 mm, nelze použít dodané dvojité vsuvky.



Upozornění

Při tomto připojení je uzávěr přítoku studené vody možný pouze v domovní instalaci.



D0000041634

- ▶ Utěsněte a našroubujte dodaná prodloužení kohoutu.
- ▶ Připojte přístroj.

10.2.6 Provoz s předehřátou vodou

Instalaci centrální termostatické armatury můžete omezit maximální teplotu přítoku. Pro použití v provozu sprchy je nutné provést nastavení armatury na max. 55 °C.

10.3 Dokončení montáže

- ▶ Otevřete uzavírací ventil ve dvojité vsuvce nebo na přívodu studené vody.

10.4 Montáž tlačítka bezdrátového ovládání

Vysílač můžete upevnit na stěnu pomocí nástěnného držáku.

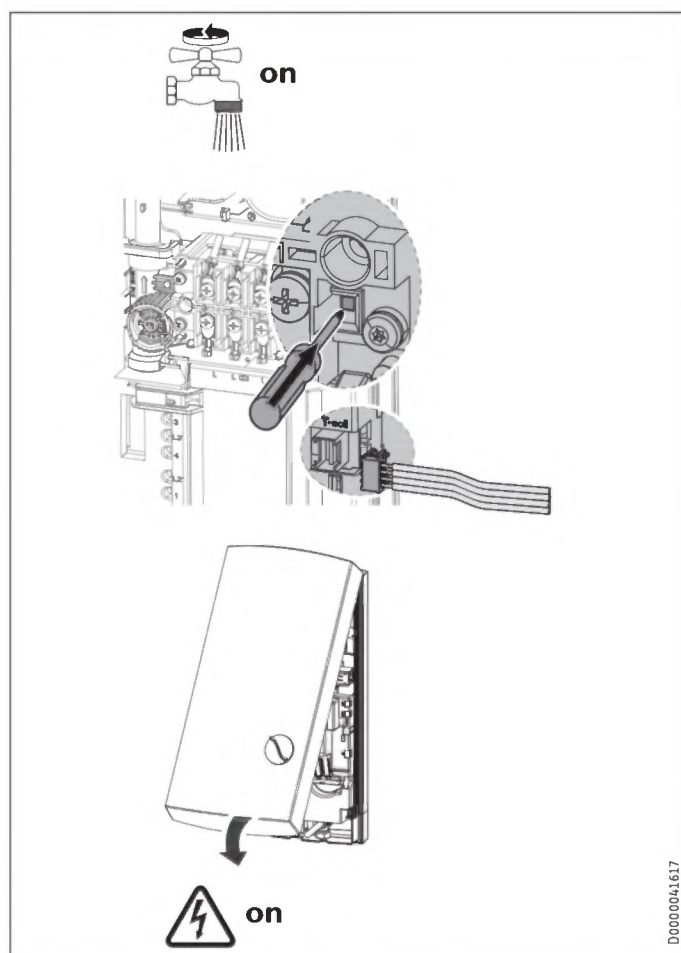
- ▶ Upevněte nástěnný držák pomocí přiložené lepicí výplně nebo vhodného šroubu se zápusťnou hlavou (Ø 3 mm nebo menší) ke stěně.

11. Uvedení do provozu



VÝSTRAHA elektrický proud
Uvedení do provozu smí provádět pouze specializovaný odborník při dodržení bezpečnostních předpisů.

11.1 První uvedení do provozu



- ▶ Otevřete a uzavřete několikrát všechny připojené odběrné ventily, dokud nebudou rozvodná síť a přístroj odvzdušněné.
- ▶ Provedte kontrolu těsnosti.
- ▶ Aktivujte bezpečnostní omezovač tlaku pevným stisknutím resetovacího tlačítka (přístroj je dodán s vypnutým bezpečnostním omezovačem tlaku).
- ▶ Zasuňte zástrčku kabelu regulátoru do elektronického systému.
- ▶ Namontujte víko přístroje a dbejte, aby se slyšitelně zajistilo. Ověřte usazení víka přístroje.
- ▶ Zapněte napájení ze sítě.
- ▶ Zkontrolujte funkci přístroje.

Tlačítko bezdrátového ovládání Mini-FBB

Tlačítko bezdrátového ovládání je ze závodu zaregistrováno k přístroji. Pokud by při uvedení do provozu nedošlo k přenosu dat, proveďte záběh následujícím způsobem:

- ▶ Přepněte tlačítkem ECO na komfortní funkci „Tlačítko bezdrátového ovládání (rc)“
- ▶ Stiskněte tlačítko na přístroji pro uložení nastavených hodnot 1 (aktivuje se fáze záběhu, na displeji probíhá zobrazení sloupců).
- ▶ Stiskněte pak klávesu na tlačítku bezdrátového ovládání.

Ochrana před opařením / omezení teploty

Požadované omezení teploty můžete v režimu Zákaznický servis nastavit v rozmezí 31-60 °C.

Předání přístroje

- ▶ Vysvětlete uživateli funkci přístroje a seznamte ho se způsobem jeho užívání.
- ▶ Upozorněte uživatele na možná rizika, především na nebezpečí opaření.
- ▶ Předajte tento návod.

11.2 Opětovné uvedení do provozu

Odvzdušněte přístroj a přívod studené vody (viz kapitola „Nastavení“).

Viz kapitola „Prvotní uvedení do provozu“.

12. Uvedení mimo provoz

- ▶ Odpojte přístroj na všech pólech od sítě.
- ▶ Vypusťte vodu z přístroje (viz kapitola „Údržba“).

13. Odstraňování poruch



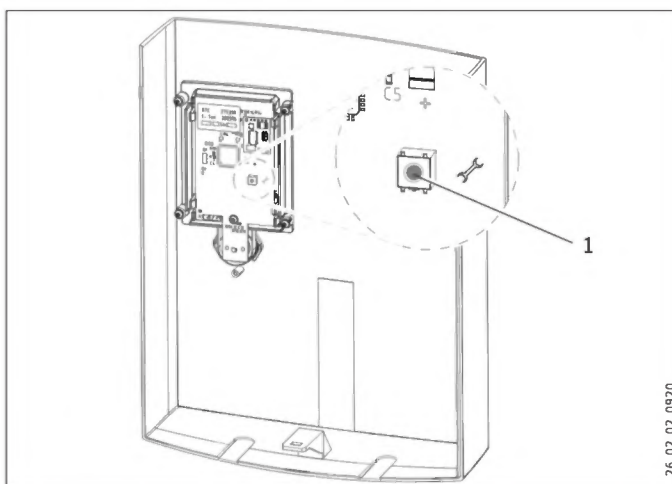
VÝSTRAHA elektrický proud
Pokud chcete provést kontrolu přístroje, musí být přístroj připojen k síťovému napětí.

Závada	Příčina	Odstranění
Průtok je příliš nízký.	Sítka a / nebo regulátor sálání jsou znečištěny	Vyčistěte sítka a / nebo regulátor sálání.
	Ventil motoru je vadný.	Zkontrolujte ventil motoru. Případně ho vyměňte.
kontinuální zobrazení Error na ovládacím prvku	Snímač / elektronika je vadná.	Závadu dále analyzujte v režimu Zákaznický servis (viz kapitola „Režim Zákaznický servis“).
	Komunikace mezi ovládacím prvkem a regulací je narušena.	Zkontrolujte ovládací prvek a spojovací vedení.
Podsvícení ovládacího prvku vůbec nefunguje.	chybí síťové napětí	Zkontrolujte pojistky vnitřní instalace.
	Volný spojovací kabel k ovládacímu prvku	Nasadte spojovací kabel.
	Bezpečnostní omezovač tlaku se aktivoval.	Odstraňte příčinu závady. Otevřete na 1 minutu odběrný ventil následující v řadě. Topný systém je tak zbaven tlaku a chladne, je chráněn před přehřátím. Aktivujte bezpečnostní regulátor hydraulického tlaku stisknutím resetovacího tlačítka.
	Elektronika je vadná.	Zkontrolujte elektroniku, případně elektroniku vyměňte.
Topení se nezapíná / bez teplé vody.	Topný systém je vadný.	Zkontrolujte topný systém, případně ho vyměňte.
	Snímač průtoku je vadný nebo není zapojený.	Zkontrolujte spojení. Zkontrolujte měření průtoku v režimu Zákaznický servis.
	Byl aktivován bezpečnostní omezovač teploty nebo je přerušeno.	Odstraňte příčinu závady. Aktivujte bezpečnostní omezovač teploty, případně bezpečnostní omezovač teploty vyměňte.
Obrazovka Error se objevuje pouze při odběru vody.	Výpadek jedné fáze	Zkontrolujte pojistky vnitřní instalace.
	Teplota přítoku > 45 °C.	Viz kapitola „Vodovodní instalace“, případně omezte teplotu přítoku.
Chvilí teče studená voda.	Funkce wellness je aktivní.	Deaktivujte funkci wellness.
	krátké přerušování průtoku	Přístroj se opět automaticky spustí, jakmile je k dispozici opět dostatečný průtok.
	Aktivuje se identifikace vzduchu (studená voda na cca 1 min).	Přístroj se po prodlevě automaticky vrací zpět do provozu.

13.1 Režim Zákaznický servis

Režim Zákaznický servis aktivujte / deaktivujte pomocí klávesy SERVICE na zadní straně ovládacího panelu (musí existovat spojení s hodnotou „T-pož“). Pomocí tlačítka ECO (viz kapitola „Nastavení / Nastavení v nabídce INFO“) přejděte k dalšímu bodu nabídky.

V příslušné podnabídce se pohybujte otáčením tlačítka pro nastavení teploty.



1 Tlačítko SERVICE

13.1.1 Nabídka Error

Tato nabídka se zobrazí pouze tehdy, pokud došlo k chybě.

Kód	Význam
E1, ELEC	Elektronická konstrukční skupina obsluhy je vadná. Vyměňte elektronickou konstrukční skupinu.
E3, ntc	Zkontrolujte elektrické spojení se snímačem na výstupu. Případně ho vyměňte.
E4, mot	Zkontrolujte elektrické spojení s ventilem motoru. Případně ho vyměňte.

13.1.2 Nabídka Ovládání

Kód	Význam
C1, 36,5 °C	Zobrazení aktuální teploty přítoku. Je-li snímač studené vody vadný, zobrazí se teplota 1,0 °C.
C2, 47,5 °C	Zobrazení aktuální teploty na výstupu. Je-li snímač na výstupu vadný, zobrazí se teplota 65,0 °C.
C3, 6,8 l/min	Zobrazení aktuálního průtokového množství.
C4, 21,5 kW	Zobrazení aktuálního příkonu.

13.1.3 Nabídka Údaje

Kód	Význam
d1, 8042	Servisní kód pro zákaznický servis
d2, 2341	Čas ve dnech, po který je přístroj připojen k elektrické síti.
d3, 172 h	Doba ohřevu v hodinách.
d4, 24 kW	maximální výkon v kW: Tento výkon se může odlišovat od jmenovitého výkonu, např. u síťového napětí, které se nerovná 400 V.

INSTALACE

Údržba

13.1.4 Ochrana před opařením / omezení teploty nabídka

Kód	Význam
OFF	Ochrana před opařením / omezení teploty vypnuto.
On	Ochrana před opařením / omezení teploty zapnuto.
31-60 °C	Při nastavení na On volitelná maximální hodnota na přístroji

Výrobní nastavení (viz kapitola „Technické údaje“).
Po opuštění režimu Zákaznický servis nemůžete nijak změnit nastavenou maximální teplotu pomocí ovládacího panelu.



POZOR, nebezpečí popálení

Za provozu s předehřátou vodou mohou být nastaveny omezovač teploty nebo ochrana před opařením neúčinné. V takovém případě omezte teplotu na předřazené centrální termostatické armatuře.

14. Údržba



VÝSTRAHA elektrický proud

Při všech činnostech odpojte přístroj na všech pólech od sítě.

Vypuštění přístroje

K provádění údržbových prací můžete přístroj vypustit.

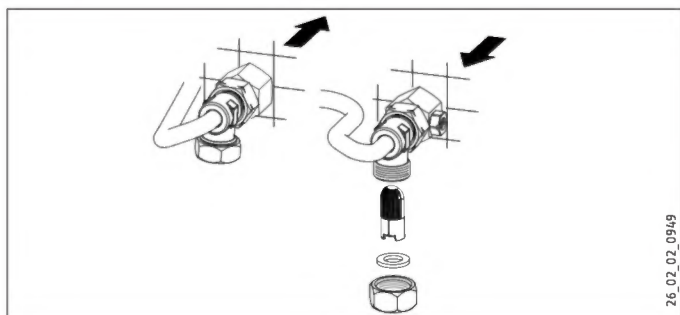


VÝSTRAHA popálení

Při vypouštění přístroje může vytékat horká voda.

- ▶ Uzavřete uzavírací ventil ve dvojitě vsuvce nebo na přívodu studené vody.
- ▶ Otevřete všechny odběrné ventily.
- ▶ Odpojte od přístroje vodovodní přípojky.
- ▶ Demontovaný přístroj skladujte tak, aby byl chráněn před mrazem. Případné zbytky vody v přístroji mohou zmraznout a způsobit škody.

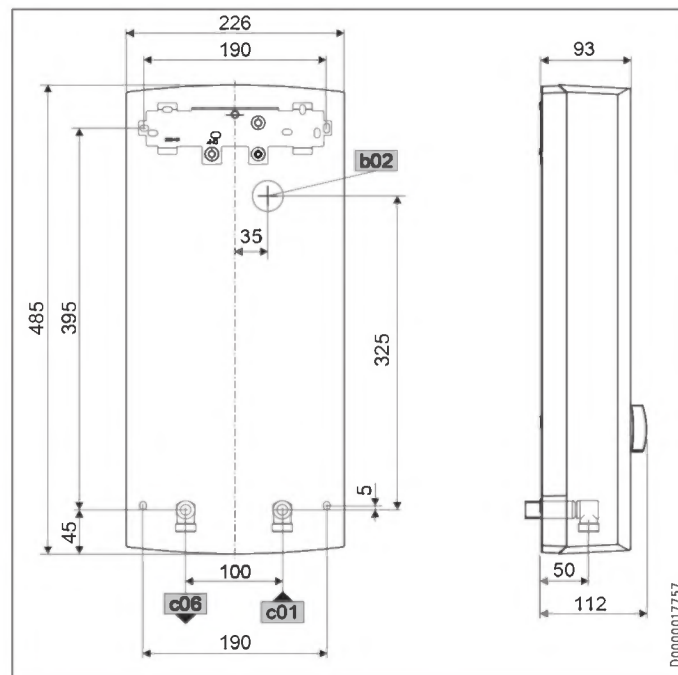
Vyčištění sítka



V případě znečištění očistěte sítko ve šroubení přípojky studené vody. Uzavřete uzavírací ventil v přívodu studené vody, než sítko vyjmete, očistíte a opět namontujete.

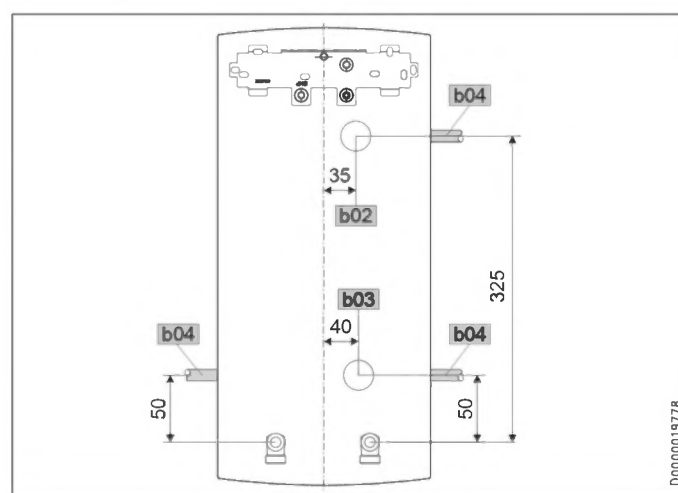
15. Technické údaje

15.1 Rozměry a přípojky



b02	Kabelová průchodka I		
c01	Vstup studené vody	Vnější závit	G 1/2 A
c06	Výstup teplé vody	Vnější závit	G 1/2 A

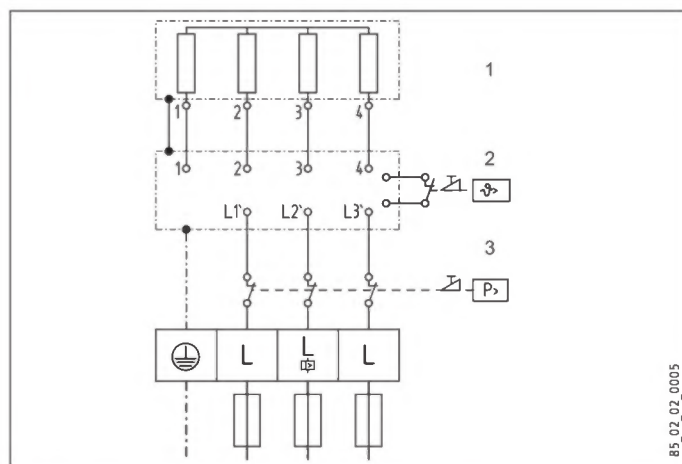
Alternativní možnosti připojení



b02	Kabelová průchodka I
b03	Kabelová průchodka II
b04	Kabelová průchodka III

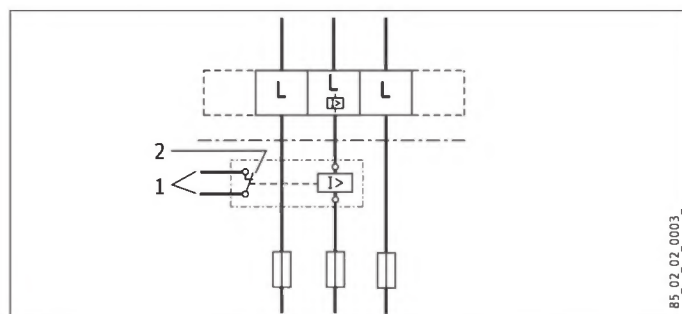
15.2 Schémata zapojení

3/PE ~ 380-415 V



- 1 Topná tělesa
- 2 Bezpečnostní omezovač teploty
- 3 Bezpečnostní omezovač tlaku

Předřazený spínač s LR 1-A



- 1 Řídicí obvod stykače 2. přístroje (například elektrický akumulátorový ohřívač).
- 2 Řídicí kontakt, který se otevře po zapnutí průtokového ohřívače.

15.3 Nastavení z výroby

Wellness		OFF
Automatické množství vody		OFF / 80 l
ECO	ECO	38 °C / 8 l/min
Dětská pojistka	°C max	OFF / 43,0 °C
Druhý řádek na displeji		l/min
Orientační osvětlení		OFF
Podsvícení	modrý/ červený	100 %

15.4 Výkon teplé vody

Výkon teplé vody závisí na napětí sítě, příkonu přístroje a teplotě přítoku studené vody. Jmenovité napětí a jmenovitý výkon najdete na typovém štítku (viz kapitola „Odstraňování problémů“).

Příkon v kW			38 °C výkon teplé vody v L/min.			
Jmenovité napětí			Teplota přiváděné studené vody			
380 V	400 V	415 V	5 °C	10 °C	15 °C	20 °C
16,2			7,0	8,3	10,1	12,9
19			8,2	9,7	11,8	15,1
21,7			9,4	11,1	13,5	17,2
	18		7,8	9,2	11,2	14,3
	21		9,1	10,7	13,0	16,7
	24		10,4	12,2	14,9	19,0
		19,4	8,4	9,9	12,0	15,4
		22,6	9,8	11,5	14,0	17,9
		25,8	11,2	13,2	16,0	20,5

Příkon v kW			50 °C výkon teplé vody v L/min.			
Jmenovité napětí			Teplota přiváděné studené vody			
380 V	400 V	415 V	5 °C	10 °C	15 °C	20 °C
16,2			5,1	5,8	6,6	7,7
19			6,0	6,8	7,8	9,0
21,7			6,9	7,8	8,9	10,3
	18		5,7	6,4	7,3	8,6
	21		6,7	7,5	8,6	10,0
	24		7,6	8,6	9,8	11,4
		19,4	6,2	6,9	7,9	9,2
		22,6	7,2	8,1	9,2	10,8
		25,8	8,2	9,2	10,5	12,3

15.5 Oblast použití / Převodní tabulka

Měrný elektrický odpor a měrná elektrická vodivost (viz kapitola „Tabulka s technickými údaji“).

Údaj podle normy při 15 °C			20 °C			25 °C		
Odpor $\rho \geq$	Vodivost $\sigma \leq$		Odpor $\rho \geq$	Vodivost $\sigma \leq$		Odpor $\rho \geq$	Vodivost $\sigma \leq$	
Ω cm	mS/m	μ S/cm	Ω cm	mS/m	μ S/cm	Ω cm	mS/m	μ S/cm
900	111	1111	800	125	1250	735	136	1361
1000	100	1000	890	112	1124	815	123	1227

15.6 Ztráty tlaku

Armatury

Tlaková ztráta armatur při objemovém průtoku 10 L/min		
Páková baterie cca	MPa	0,04 - 0,08
Armatura s termostatem cca	MPa	0,03 - 0,05
Ruční sprcha cca	MPa	0,03 - 0,15

Dimenzování potrubní sítě

K výpočtu dimenzování potrubní sítě je pro přístroj doporučena tlaková ztráta 0,1 MPa.

15.7 Podmínky v případě poruchy

V případě poruchy může v instalaci krátkodobě vzniknout zatížení maximálně 95 °C při tlaku 1,2 MPa.

INSTALACE

Technické údaje

15.8 Údaje ke spotřebě energie

List technických údajů k výrobku: Běžné zařízení k přípravě teplé vody v souladu s nařízením (EU) č. 812/2013 | 814/2013

		PER 18/21/24	
		233990	
Výrobce		STIEBEL ELTRON	
Zátěžový profil		S	
Třída energetické účinnosti		A	
Energetická účinnost	%	39	
Roční spotřeba el. energie	kWh	478	
Nastavení teploty od výrobce	°C	60	
Hladina akustického výkonu	dB(A)	15	
Zvláštní pokyny k měření účinnosti		Údaje při Pmax.	
Denní spotřeba el. energie	kWh	2,199	

15.9 Tabulky dat

		PER 18/21/24		
		233990		
Elektrotechnické údaje				
Jmenovité napětí	V	380	400	415
Jmenovitý výkon	kW	16,2/19/21,7	18/21/24	19,4/22,6/25,8
Jmenovitý proud	A	27,6/29,5/33,3	29/31/35	30,1/32,2/36,3
Jištění	A	32/32/35	32/32/35	32/32/40
Frekvence	Hz	50/60	50/60	50/-
Fáze				3/PE
Max. impedance sítě při 50 Hz	Ω	0,284	0,270	0,260
Specifická vodivost $\sigma_{15} \leq$ (bei $\vartheta_{\text{studená}} \leq 25^\circ\text{C}$)	$\mu\text{S/cm}$	1111	1111	1000
Specifický odpor $\rho_{15} \geq$ (při $\vartheta_{\text{studené}} \leq 25^\circ\text{C}$)	Ω cm	900	900	1000
Specifický odpor $\rho_{15} \geq$ (při $\vartheta_{\text{studené}} \leq 45^\circ\text{C}$)	Ω cm	1200	1200	1300
Specifická vodivost $\sigma_{15} \leq$ (bei $\vartheta_{\text{studená}} \leq 45^\circ\text{C}$)	$\mu\text{S/cm}$	830	830	770
Přípojky				
Vodovodní přípojka				G 1/2 A
Meze použitelnosti				
Max. dovolený tlak	MPa			1
Max. teplota přítoku pro dodatečný ohřev	°C			45
Hodnoty				
Max. povolená vstupní teplota vody	°C			60
Zap	l/min			>2,5
Tlakové ztráty při objemovém průtoku	MPa			0,08/0,1/0,13
Objemový průtok pro tlakovou ztrátu	l/min			5,2/6,0/6,9
Výkon teplé vody	l/min			9,4/11,0/12,6
$\Delta\vartheta$ při výkonu teplé vody	K			26
Údaje o hydraulickém systému				
Jmenovitý objem	l			0,4
Provedení				
Volitelný příkon				X
Nastavení teploty	°C			30-60
Izolační blok				plast
Zdroj tepla topného systému				holá spirála
Víko a zadní stěna				plast
Barva				bílá
Krytí (IP)				IP25
Rozměry				
Výška	mm			485
Šířka	mm			226
Hloubka	mm			93
Hmotnosti				
Hmotnost	kg			3,8



Upozornění

Přístroj vyhovuje normě IEC 61000-3-12.

Technické údaje

		Mini-FFB
Rozměry (V/Š/H) bez nástěnného držáku	mm	50/50/17
Rádiová frekvence	MHz	868,3
Dosah v budově vč. jednoho podlaží	m	cca 25
Rozsah nastavených teplot	°C	30-60
Krytí podle EN 60529	Sprcha Vana	IP X5 IP X7
Baterie typ		1 x CR 2032

Záruka

Pro přístroje nabyté mimo území Německa neplatí záruční podmínky poskytované našimi firmami v Německu. V zemích, ve kterých některá z našich dceřiných společností distribuuje naše výrobky, poskytuje záruku jenom tato dceřiná společnost. Takovou záruku lze poskytnout pouze tehdy, pokud dceřiná společnost vydala vlastní záruční podmínky. Jinak nelze záruku poskytnout.

Na přístroje zakoupené v zemích, ve kterých nejsou naše výrobky distribuovány žádnou z dceřiných společností, neposkytujeme žádnou záruku. Případné záruky závazně přislíbené dovozcem zůstávají proto nedotčené.

Životní prostředí a recyklace

Pomozte nám chránit naše životní prostředí. Materiály po použití zlikvidujte v souladu s platnými národními předpisy.

WSKAZÓWKI SPECJALNE

OBSŁUGA

1. Wskazówki ogólne	40
1.1 Wskazówki dotyczące bezpieczeństwa	40
1.2 Inne oznaczenia stosowane w niniejszej dokumentacji	40
1.3 Jednostki miar	41
2. Bezpieczeństwo	41
2.1 Użytkowanie zgodne z przeznaczeniem	41
2.2 Ogólne wskazówki dotyczące bezpieczeństwa	41
2.3 Znak kontroli	41
3. Opis urządzenia	41
4. Nastawy	42
4.1 Nastawy i wskazania na urządzeniu	42
4.2 Ustawienia w menu INFO	43
4.3 Nastawy na pilocie zdalnego sterowania	45
4.4 Inne funkcje	45
4.5 Zalecane nastawy	45
5. Czyszczenie i konserwacja	45
6. Usuwanie problemów	45

INSTALACJA

7. Bezpieczeństwo	46
7.1 Ogólne wskazówki dotyczące bezpieczeństwa	46
7.2 Tryb prysznicowy	46
7.3 Przepisy, normy i wymogi	46
8. Opis urządzenia	47
8.1 Zakres dostawy	47
9. Przygotowania	47
9.1 Miejsce montażu	47
9.2 Instalacja wodna	47
10. Montaż	48
10.1 Montaż standardowy	48
10.2 Inne sposoby montażu	51
10.3 Zakończenie montażu	52
10.4 Montaż zdalnego sterowania	52
11. Uruchomienie	52
11.1 Pierwsze uruchomienie	52
11.2 Ponowne uruchomienie	53
12. Wyłączenie z eksploatacji	53
13. Usuwanie usterek	53
13.1 Tryb obsługi klienta	54
14. Konserwacja	54
15. Dane techniczne	55
15.1 Wymiary i przyłącza	55
15.2 Schematy elektryczne	55
15.3 Nastawy fabryczne	56
15.4 Wydajność CWU	56
15.5 Zakres pracy / tabela przeliczeniowa	56
15.6 Straty ciśnienia	56
15.7 Warunki awaryjne	56
15.8 Dane dotyczące zużycia energii	57
15.9 Tabele danych	57

GWARANCJA

OCHRONA ŚRODOWISKA I RECYCLING

WSKAZÓWKI SPECJALNE

- Dzieci w wieku powyżej 3 lat, osoby o obniżonej sprawności ruchowej, sensorycznej lub umysłowej, lub też osoby bez doświadczenia i odpowiedniej wiedzy mogą obsługiwać urządzenie pod nadzorem lub samodzielnie o ile zostały poinstruowane o zasadach bezpiecznego użytkowania urządzenia i rozumieją ewentualne zagrożenia. Urządzenie nie może być używane przez dzieci do zabawy. Czyszczenia oraz konserwacji ze strony użytkownika nie wolno powierzać dzieciom bez nadzoru.
- Temperatura armatury może osiągnąć do 60 °C. W przypadku temperatur wyższych niż 43 °C istnieje niebezpieczeństwo poparzenia.
- Urządzenie nadaje się do zasilania prysznic (tryb prysznicowy). Jeśli urządzenie będzie również lub wyłącznie wykorzystywane w trybie prysznicowym, wyspecjalizowany instalator musi za pomocą ogranicznika temperatury nastawić mniejszy zakres temperatury w urządzeniu (55 °C lub mniej). W przypadku korzystania z wody wstępnie podgrzanej temperatura na wlocie nie może przekraczać 55 °C.
- Urządzenie musi mieć możliwość odłączania od sieci elektrycznej za pomocą wielobiegunowego wyłącznika z rozwarciem styków wynoszącym min. 3 mm.
- Podane napięcie musi być zgodne z napięciem zasilania.
- Urządzenie musi być podłączone do przewodu ochronnego.
- Urządzenie musi być trwale podłączone do stałego okablowania.
- Zamocować urządzenie w sposób opisany w rozdziale „Instalacja / Montaż”.

- Nie wolno przekraczać maksymalnego dopuszczalnego ciśnienia (patrz rozdział „Instalacja / Dane techniczne / Tabela danych”).
- Oporność właściwa wody z sieci wodociągowej nie może być niższa niż podana w tabeli (patrz rozdział „Instalacja / Dane techniczne / Tabela danych”).
- Urządzenie opróżnić w sposób opisany w rozdziale „Instalacja / Konserwacja / Opróżnianie urządzenia”.

OBSŁUGA

1. Wskazówki ogólne

Rozdziały „Wskazówki specjalne” i „Obsługa” są przeznaczone dla użytkowników urządzenia i wyspecjalizowanych instalatorów.

Rozdział „Instalacja” przeznaczony jest dla wyspecjalizowanego instalatora.



Wskazówka

Przed przystąpieniem do użytkowania należy dokładnie zapoznać się z niniejszą instrukcją i zachować ją do późniejszego wykorzystania.

W przypadku przekazania produktu innemu użytkownikowi niniejszą instrukcję należy również dołączyć.

1.1 Wskazówki dotyczące bezpieczeństwa

1.1.1 Struktura wskazówek dotyczących bezpieczeństwa






HASŁO OSTRZEGAWCZE – rodzaj zagrożenia

W tym miejscu określone są potencjalne skutki nieprzestrzegania wskazówki dotyczącej bezpieczeństwa.

► W tym miejscu są określone środki zapobiegające zagrożeniu.

1.1.2 Symbole i rodzaje zagrożenia

Symbol	Rodzaj zagrożenia
	Obrażenia ciała
	Porażenie prądem elektrycznym
	Poparzenie (Poparzenie)

1.1.3 Hasła ostrzegawcze

HASŁO OSTRZEGAWCZE	Znaczenie
ZAGROŻENIE	Wskazówki, których nieprzestrzeganie prowadzi do ciężkich obrażeń ciała lub śmierci.
OSTRZEŻENIE	Wskazówki, których nieprzestrzeganie może prowadzić do ciężkich obrażeń ciała lub śmierci.
OSTROŻNIE	Wskazówki, których nieprzestrzeganie może prowadzić do średnich lub lekkich obrażeń ciała.



1.2 Inne oznaczenia stosowane w niniejszej dokumentacji



Wskazówka

Wskazówki ogólne są oznaczone symbolem umieszczonym obok.

► Należy dokładnie zapoznać się z treścią wskazówek.

Symbol	Znaczenie
	Szkody materialne (uszkodzenia urządzenia, szkody wtórne, szkody dla środowiska naturalnego)
	Utylizacja urządzenia

► Ten symbol informuje o konieczności wykonania jakiejś czynności. Wymagane czynności opisane są krok po kroku.

1.3 Jednostki miar



Wskazówka

Jeśli nie określono innych jednostek, wszystkie wymiary podane są w milimetrach.

2. Bezpieczeństwo

2.1 Użytkowanie zgodne z przeznaczeniem

Urządzenie ciśnieniowe jest przeznaczone do nagrzewania wody użytkowej lub wstępnie podgrzanej. Urządzenie może służyć do zasilania co najmniej jednego punktu poboru wody.

Urządzenie przeznaczone jest do użytku w budownictwie mieszkaniowym. Może być bezpiecznie użytkowane przez nieprzeszkolone osoby. Urządzenie może być użytkowane również poza budownictwem mieszkaniowym, np. w budynkach gospodarczych i przemysłowych, pod warunkiem użytkowania zgodnego z przeznaczeniem.

Inne lub wykraczające poza obowiązujące ustalenia użytkowanie traktowane jest jako niezgodne z przeznaczeniem. Do użytkowania zgodnego z przeznaczeniem należy również przestrzeganie niniejszej instrukcji obsługi oraz instrukcji obsługi użytego osprzętu.

2.2 Ogólne wskazówki dotyczące bezpieczeństwa



Wskazówka

Zdalny sterownik temperatury posiada litową baterię guzikową służącą do zasilania.

Zużyte baterie należy poddać utylizacji zgodnie z przepisami. Wycieki z baterii powodują uszkodzenia, za które producent nie ponosi odpowiedzialności. Baterii, które nie są akumulatorami, nie wolno ładować.

Stosowanie ponownie ładowanych baterii i akumulatorów jest niedopuszczalne.

Jeśli urządzenie nie będzie używane przez dłuższy czas, należy wyjąć baterię (patrz rozdział „Usuwanie problemów / Wymiana baterii w zdalnym sterowniku”).



OSTROŻNIE - poparzenie

Temperatura armatury może osiągnąć do 60 °C. W przypadku temperatur wyższych niż 43 °C istnieje niebezpieczeństwo poparzenia.



OSTROŻNIE - poparzenie

Temperatura ciepłej wody przy zasilaniu wodą wstępnie podgrzaną, np. przez instalację solarną, może różnić się od nastawionej temperatury zadanej.



OSTRZEŻENIE - obrażenia ciała

Dzieci w wieku powyżej 3 lat, osoby o obniżonej sprawności ruchowej, sensorycznej lub umysłowej, lub też osoby bez doświadczenia i odpowiedniej wiedzy mogą obsługiwać urządzenie pod nadzorem lub samodzielnie o ile zostały poinstruowane o zasadach bezpiecznego użytkowania urządzenia i rozumieją ewentualne zagrożenia. Urządzenie nie może być używane przez dzieci do zabawy. Czyszczenia oraz konserwacji ze strony użytkownika nie wolno powierzać dzieciom bez nadzoru.

Jeżeli urządzenie będzie obsługiwane przez dzieci lub osoby z ograniczonymi zdolnościami ruchowymi, sensorycznymi lub umysłowymi zaleca się zastosowanie funkcji stałego ograniczenia temperatury. Ograniczenie może nastawić specjalista.



Szkody materialne

Obowiązkiem użytkownika jest zabezpieczenie urządzenia i armatury przed zamrożeniem.

2.3 Znak kontroli

Patrz tabliczka znamionowa na urządzeniu.

3. Opis urządzenia

Urządzenie podgrzewa przepływającą przez nie wodę. Temperaturę ciepłej wody użytkowej na wylocie można płynnie regulować za pomocą pokrętki regulacji temperatury. Od określonej ilości przepływu, w zależności od nastawienia temperatury i temperatury zimnej wody, sterowanie włącza odpowiednią moc grzewczą.

Przy niskich temperaturach wody zasilającej i wysokiej temperaturze docelowej, przepływ jest automatycznie tłumiony przez sterowany zawór ograniczający przepływ. Dzięki temu zawsze osiągnięta jest żądana temperatura. W przypadku używania wstępnie podgrzanej wody, powyżej temperatury 45 °C na wyświetlaczu widoczny jest komunikat „Error”.

Można zapisywać i szybko wywoływać 2 różne temperatury. Funkcja ECO ogranicza ilość przepływu na przepływ ECO i ustawia wstępnie określoną temperaturę ECO. Ponadto urządzenie jest wyposażone w funkcje zabezpieczenia przed dziećmi, Wellness (program kąpielowy) oraz dynamiczną ochronę przed poparzeniem i trwałą ogranicznik temperatury. Podświetlenie wyświetlacza urządzenia może być również używane dla ułatwienia orientacji.

System grzejny

System grzejny z odkrytą grzałką wyposażony jest w płaszcz z tworzywa sztucznego odporny na ciśnienie. W systemie grzejnym można podgrzewać wodę o niskiej i wysokiej zawartości wapnia, ponieważ jest on w dużym stopniu odporny na zwapnienie. System grzejny zapewnia szybkie i wydajne przygotowanie ciepłej wody.

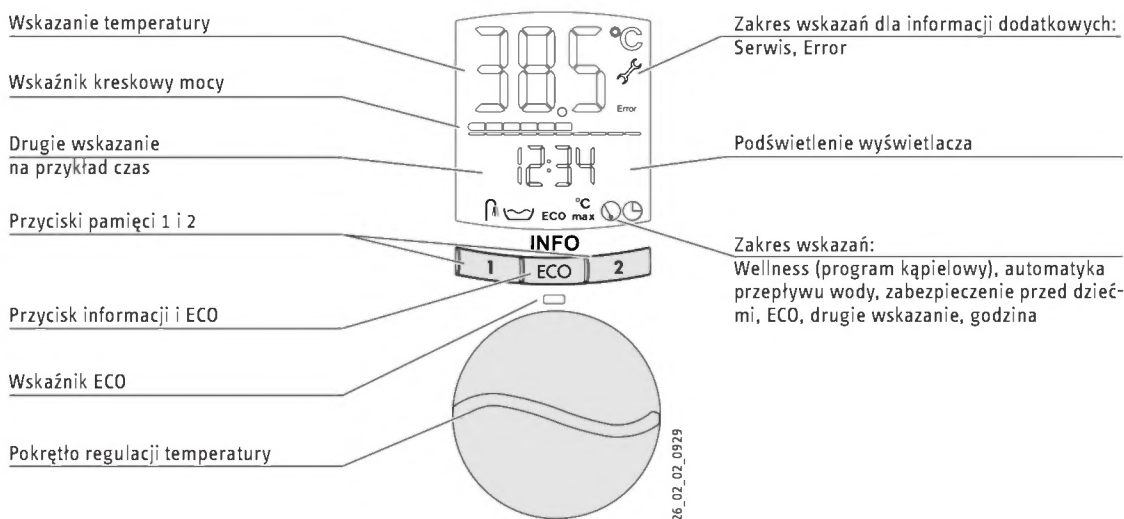


Wskazówka

Urządzenie jest wyposażone w funkcję wykrywania pęcherzyków powietrza, która w znacznym stopniu zapobiega uszkodzeniom systemu grzejnego. Jeżeli podczas pracy do urządzenia dostanie się powietrze, urządzenie wyłącza moc grzejną na jedną minutę, chroniąc tym samym system grzejny.

4. Nastawy

4.1 Nastawy i wskazania na urządzeniu



Zakres wskazań

	Wellness		Drugi wiersz
	Automatyczne sterowanie ilością wody		Czas
ECO	Tryb ECO		Podświetlenie orientacyjne
°C max	Zabezpieczenie przed dziećmi		

Zakres wskazań dla informacji dodatkowych

▶ Zasięgnąć pomocy serwisu, jeżeli wyświetlane są następujące symbole:

Error	Error
	Serwis

4.1.1 Ustawianie temperatury

Obracając pokrętko regulacji temperatury, można płynnie nastawić żądaną temperaturę. Wyświetlana jest wybrana temperatura.

	Obsługa	Wyświetlacz
	Wybrać temperaturę w zakresie pomiędzy 30-60 °C. Możliwość płynnej regulacji	np. 43 °C OFF = Ogrzewanie wyłączone

4.1.2 Przyciski pamięci

Za pomocą przycisków pamięci można w szybki sposób wywołać dwie różne wartości temperatury. Temperatury te można nastawić.

Przypisywanie ustawień do przycisków pamięci

	Wybrać żądaną temperaturę 30-60 °C do zapisania w pamięci.	np. 38 °C
	Przytrzymać przez 3 sekundy przycisk 1 lub przycisk 2.	Np. 38 °C i 43 °C Wskazanie miga 1 raz, temperatura zostaje zapisana

Wywoływanie zapisanej temperatury

	Nacisnąć przycisk 1 lub przycisk 2	np. przy 38 °C i 2 przy 43 °C
--	------------------------------------	-------------------------------

4.1.3 Włączanie / wyłączenie trybu ECO

Przycisk ECO służy do włączania i wyłączenia funkcji ECO. Po włączeniu funkcji ECO zapala się zielona dioda pod przyciskiem. Dodatkowo widoczny jest symbol ECO.

Funkcja ECO ogranicza ilość przepływu na przepływ ECO i ustawia wstępnie określoną temperaturę ECO. Obie wartości można dopasować za pomocą menu INFO.

Wskazówka

Każda zmiana temperatury na urządzeniu (za pomocą pokrętła regulacji temperatury lub przycisków zapisu) prowadzi do wyłączenia funkcji ECO. Funkcję ECO należy wówczas włączyć ponownie w razie potrzeby.

Po wybraniu temperatury za pomocą zdalnego sterowania funkcja ECO jest automatycznie włączana ponownie po zakończeniu pobierania.

	Nacisnąć przycisk ECO: wybór trybu ECO	ECO	Zielona dioda LED świeci się.
	Nacisnąć przycisk ECO: anulowanie trybu ECO	ECO Wył.	Dioda LED nie świeci się.


4.2 Ustawienia w menu INFO

Przy pomocy przycisku ECO można przejść do menu INFO, gdzie można indywidualnie nastawiać funkcje komfortu i/lub odczytywać wartości: Nastawianie wartości temperatury ECO/przepływu, zabezpieczenia przed dziećmi, programu Wellness, sterowanie ilością przepływu wody. Za pomocą przycisku ECO można również ustawić jasność wyświetlacza i podświetlenie orientacyjne.


Ustawienia można zmieniać po przytrzymaniu przycisku ECO przez co najmniej trzy sekundy.

Dalsze naciskanie przycisku ECO powoduje przechodzenie do następnych funkcji.

Po dotarciu do żadnej funkcji można zmienić jej nastawienia, obracając pokrętkę regulacji temperatury.

	Obsługa	Wyświetlacz
Wejście do menu	 Przytrzymać przez 3 sekundy przycisk ECO.	ECO 38 °C



Wszystkie nastawienia w menu INFO zostają zastosowane.

Opuszczanie menu	 Przytrzymać przez 3 sekundy przycisk ECO.	Wybrane nastawy
------------------	---	-----------------




Po ok. 40 sekundach braku aktywności następuje zamknięcie menu INFO.

4.2.1 Funkcja ECO

Ustawianie temperatury ECO

 Przytrzymać przez 3 sekundy przycisk ECO.	ECO 38 °C
 Nastawa temperatury, zakres: 30-60 °C	np. 40 °C

Ustawianie przepływu ECO

 Przytrzymać przez 3 sekundy przycisk ECO.	ECO 38 °C
 Nacisnąć krótko przycisk ECO.	ECO 8,0 l/min
 Nastawić przepływ 4-15 l/min.	ECO np. 6,0 l/min

4.2.2 Ustawianie czerwonego i niebieskiego podświetlenia








Wskaźnik urządzenia jest wyposażony w podświetlenie. W przypadku nastawienia temperatur do 42,5 °C, podświetlenie ma kolor niebieski, a przy temperaturach wyższych niż 43,0 °C, podświetlenie zmienia kolor na czerwony.

Tło wyświetlacza zapala się po naciśnięciu przycisków, obróceniu pokrętła regulacji temperatury lub gdy przez urządzenie przepływa strumień wody większy niż wymagany do włączenia.

Jeśli w ciągu 30 sekund nie nastąpi pobór wody lub czynność obsługowa, podświetlenie wyłączy się (tylko przy wybranym wyłączonym podświetleniu orientacyjnym).




Natężenie podświetlenia zostaje zredukowane również po 15 minutach pobierania wody (redukcja tylko przy ustawieniu > 20%).

Natężenie podświetlenia można ustawić w pięciu stopniach osobno dla koloru czerwonego i niebieskiego.

 Przytrzymać przez 3 sekundy przycisk ECO.	ECO 38 °C
 Kilkakrotnie nacisnąć przycisk ECO	 niebieski  Czerwony
 Wybrać natężenie koloru niebieskiego i czerwonego	 100 %  20 %






4.2.3 Włączanie/wyłączanie podświetlenia orientacyjnego

Podświetlenie zapewnia lepszą orientację w ciemnych pomieszczeniach. W tym celu można włączyć podświetlenie ciągłe. Podświetlenie orientacyjne świeci się wówczas z intensywnością nastawionego podświetlenia.

 Przytrzymać przez 3 sekundy przycisk ECO.	ECO 38 °C
 Kilkakrotnie nacisnąć przycisk ECO	OFF
 Wybrać „OFF” / „ON”.	OFF: wyłączone On: włączone




4.2.4 Włączanie / wyłączenie / ustawianie zabezpieczenia przed dziećmi

Urządzenie można włączyć z ustawieniem temperatury maksymalnej.

 Przytrzymać przez 3 sekundy przycisk ECO.	ECO 38 °C
 Kilkakrotnie nacisnąć przycisk ECO	°C OFF max
 Wybrać „OFF” / „ON”.	OFF: wyłączone On: włączone
 Nacisnąć krótko przycisk ECO.	°C 43 °C max
 Ustawianie temperatury	°C np. 36 °C max






4.2.5 Włączanie / wyłączenie komfortowej funkcji Wellness (kąpielowej)

Istnieje możliwość trwałego ustawienia komfortowej funkcji Wellness (kąpielowej), która po 3 minutach pobierania wody obniża temperaturę o 10 °C i podnosi ją z powrotem po upływie 10 sekund. Po następnych 10 sekundach temperatura zostaje ponownie obniżona o 10 °C, a po kolejnych – ponownie podniesiona. Te zmiany temperatury są wykonywane do zakończenia pobierania wody.

	Przytrzymać przez 3 sekundy przycisk ECO.	ECO 38 °C
	Kilukrotnie nacisnąć przycisk ECO	OFF
	Wybrać „OFF” / „ON”.	OFF: wyłączone On: włączone

4.2.6 Włączanie / wyłączenie / ustawianie sterowania ilości przepływu wody.

Sterowanie ilością przepływu wody można ustawić tak, aby po ustalonym okresie pobierania, przepływ był obniżany do ok. 4 l/min. Dzięki temu można kontrolować ilość wody, a tym samym czas natrysku. Nastawienie funkcji sterowania ilością przepływu wody obowiązuje tylko dla następującego pobierania wody.

	Przytrzymać przez 3 sekundy przycisk ECO.	ECO 38 °C
	Kilukrotnie nacisnąć przycisk ECO.	OFF
	Wybrać „OFF” / „ON”.	OFF: wyłączone On: włączone
	Przy ustawieniu „On” nacisnąć krótko przycisk ECO.	80 l
	Nastawić przepływ wody 5-200 l.	np. 150 l

4.2.7 Wybór drugiego wiersza wskazania





Można wybrać, jaki parametr będzie wyświetlany w drugim wierszu:

l/min Przepływ


kWh Zużycie energii (wartości tych wskazań zużycia można wyzerować).

m³ Ilość wody (wartości tych wskazań zużycia można wyzerować).





Czas godz. Godzina (po zaniku napięcia należy ponownie nastawić godzinę)

	Przytrzymać przez 3 sekundy przycisk ECO.	ECO 38 °C
	Kilukrotnie nacisnąć przycisk ECO	
	Wybrać parametr na wyświetlaczu w drugim wierszu.	wybrane wskazanie.

Wyzerowanie parametru „Zużycia energii i ilości wody”.

	W menu INFO nacisnąć równocześnie przycisk 1 i przycisk 2, gdy na wyświetlaczu widoczna będzie odpowiednia wartość zużycia.	0
--	---	---

4.2.8 Ustawianie godziny

	Przytrzymać przez 3 sekundy przycisk ECO.	ECO 38 °C
	Kilukrotnie nacisnąć przycisk ECO	
	Nastawić godzinę	np. 12:15 Uwaga: Po zaniku napięcia należy ponownie nastawić godzinę.

4.2.9 Pilot zdalnego sterowania - sprawdzenie / zarejestrowanie / wyrejestrowanie



Urządzenie można obsługiwać zdalnie za pomocą pilota zdalnego sterowania. Pilot jest wodoszczelny i można go używać również podczas kąpieli i pod natryskiem. Istnieje możliwość równoległego używania maks. 4 pilotów zdalnego sterowania. Przy pomocy zdalnego sterowania można zmieniać temperaturę urządzenia zdalnie (np. przy zlewozmywaku).

Pilot zdalnego sterowania ma 4 przyciski (38 °C i 55 °C ustawione na stałe; przyciski plus i minus do zmiany temperatury o 0,5 °C) do regulacji temperatury. Gdy sygnał jest wysyłany do urządzenia, zapala się czerwona dioda na zdalnym sterowaniu.



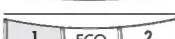
W trybie ECO anulowana jest funkcja ECO dla następnego poboru, jeżeli naciskany jest dowolny przycisk na zdalnym sterowaniu. Dwie minuty po pobieraniu następuje zresetowanie do trybu ECO.

Gdy urządzenie działa w normalnym trybie pracy, za pomocą zdalnego sterowania można ustawić stałą temperaturę.



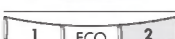
Zdalne sterowanie – sprawdzenie na urządzeniu

	Przytrzymać przez 3 sekundy przycisk ECO.	ECO 38 °C
	Kilukrotnie nacisnąć przycisk ECO	rc 1-4 Liczba zarejestrowanych pilotów (rc: remote control = zdalne sterowanie)

Rejestrowanie zdalnego sterowania w urządzeniu

	Przytrzymać przez 3 sekundy przycisk ECO.	ECO 38 °C
	Kilukrotnie nacisnąć przycisk ECO	rc 1
	Nacisnąć przycisk 1: Faza rejestrowania zostaje aktywowana. Nacisnąć dowolny przycisk na sterowniku zdalnym.	Wskaźnik kreskowy wskazuje postęp. Zielona dioda LED miga. Wskaźnik kreskowy gaśnie. Zdalne sterowanie zostało zarejestrowane

Wyrejestrowanie zdalnego sterowania w urządzeniu

	Przytrzymać przez 3 sekundy przycisk ECO.	ECO 38 °C
	Kilukrotnie nacisnąć przycisk ECO	rc 2
	W trybie „rc” nacisnąć przycisk trybu 2.	rc 0: Wszystkie piloty zdalnego sterowania zostają wyrejestrowane

Czyszczenie i konserwacja

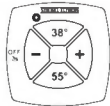
4.2.10 Przywracanie ustawień fabrycznych



Równocześnie wcisnąć przez 2 sekundy przycisk 1 i przycisk 2. Wskaźnik miga w celu potwierdzenia.

Funkcja ochrony przed oparzeniem i zaprogramowane zdalne sterowanie nie są zerowane (nastawy fabryczne, patrz rozdział „Dane techniczne”).

4.3 Nastawy na pilocie zdalnego sterowania



Nacisnąć 38°	38 °C
Nacisnąć 55°	55 °C
Nacisnąć +	Nacisnąć 1x: Zwiększenie wartości o 0,5 °C.
Nacisnąć -	Nacisnąć 1x: Zmniejszenie wartości o 0,5 °C.

System grzewczy urządzenia można przełączyć na OFF za pomocą zdalnego sterowania. W tym celu należy nacisnąć przycisk minus przez co najmniej 3 sekundy. W celu jego ponownego włączenia należy nacisnąć dowolny przycisk.

4.4 Inne funkcje

4.4.1 Dynamiczne zabezpieczenie przed poparzeniem

Urządzenie jest wyposażone w funkcję dynamicznego zabezpieczenia przed poparzeniem. Po wybraniu temperatury na urządzeniu lub na zdalnym sterowaniu, użytkownik ustala temperaturę następnego poboru wody. W ciągu następnych dwóch minut podczas pobierania wody oraz w ciągu dwóch minut po zakończeniu pobierania wody żaden inny użytkownik nie może zwiększyć temperatury powyżej 43 °C.

4.4.2 Zabezpieczenie przed poparzeniem

Serwis może ustawić stałe ograniczenie temperatury (patrz rozdział „Usuwanie usterek / Tryb serwisowy”). W ten sposób zapobiega się sytuacji, gdy z urządzenia wypływa woda o temperaturze, przy której może dojść do poparzenia.

4.5 Zalecane nastawy

Oszczędność energii

Najmniejsza ilość energii wymagana jest przy następujących, zalecanych nastawach:

- 38 °C dla umywalki, natrysku, wanny,
- 55 °C dla zlewozmywaka.

Armatury termostatyczne

W przypadku użytkowania urządzenia z armaturą termostatyczną, zaleca się ustawienie maksymalnej temperatury urządzenia (pokrętko regulacji temperatury na 60 °C). Żądaną temperaturę należy wówczas ustawić na armaturze termostatycznej.

Po przerwie w zaopatrzeniu w wodę



Szkody materialne

W przypadku przerwy w dostawie wody należy ponownie uruchomić urządzenie, wykonując poniższe czynności, aby nie uszkodzić systemu grzejnego z odkrytą grzałką.

- ▶ Odłączyć urządzenie od źródła zasilania, wyłączając bezpieczniki.
- ▶ Otworzyć zawór spustowy i odczekać około minuty, aż urządzenie i przewód doprowadzający zimną wodę przed urządzeniem zostaną odpowietrzone.
- ▶ Włączyć ponownie napięcie sieciowe.

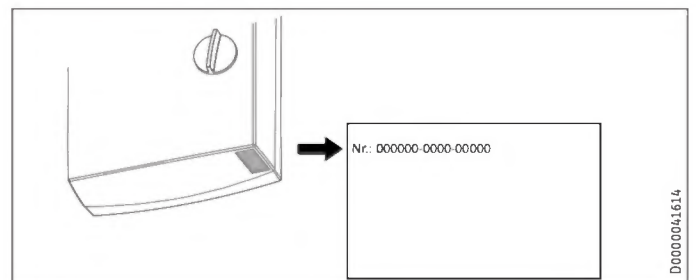
5. Czyszczenie i konserwacja

- ▶ Nie wolno używać szorujących, ani rozpuszczających środków czyszczących. Do konserwacji i czyszczenia urządzenia wystarczy wilgotna ściereczka.
- ▶ Należy regularnie sprawdzać stan armatur. Osad z wylotu armatur należy usuwać przy użyciu dostępnych w handlu środków do odkamieniania.

6. Usuwanie problemów

Problem	Przyczyna	Usuwanie
Urządzenie nie włącza się, mimo całkowicie otwartej armatury.	Brak napięcia. Regulator strumienia w armaturze lub głowica natryskowa jest pokryta kamieniem lub zanieczyszczona.	Sprawdzić bezpieczniki w instalacji domowej. Oczyścić i/lub usunąć kamień z regulatora strumienia lub głowicy natryskowej.
Żądana temperatura > 45 °C nie jest osiągnięta.	Przerwa w zaopatrzeniu w wodę. Temperatura zimnej wody na wejściu > 45 °C.	Odpowietrzyć urządzenie i przewód doprowadzający wody zimnej (patrz rozdział „Nastawy”). Zmniejszyć temperaturę zasilania zimnej wody.
Zbyt mały przepływ.	Tryb ECO jest włączony i wartość przepływu w trybie ECO została zmniejszona na zbyt niską wartość	Ustawić wyższą wartość przepływu ECO.
Nie można ustawić temperatury wyższej niż 43 °C.	Dynamiczne zabezpieczenie przed poparzeniem jest aktywne.	Zostaje automatycznie wyłączone po upływie dwóch minut po zakończeniu pobierania wody.

Jeśli nie można usunąć przyczyny usterki, należy wezwać wyspecjalizowanego instalatora. W celu usprawnienia i przyspieszenia pomocy należy podać numer urządzenia z tabliczki znamionowej (000000-0000-00000).



Wymiana baterii w zdalnym sterowaniu

Problem	Przyczyna	Usuwanie
Dioda na zdalnym sterowaniu miga podczas wysyłania sygnału i po jego zakończeniu.	Bateria zdalnego sterowania jest wyczerpana.	Wymienić baterię.



Szkody materialne

- ▶ Zużyta baterię należy wyjąć z pilota. Nie ponosimy odpowiedzialności za szkody spowodowane wyciekiem elektrolitu z baterii.

- ▶ Otworzyć obudowę zdalnego sterowania; wykręcić w tym celu dwie śruby z tylnej części i podważyć obudowę.
- ▶ Wymiana baterii, typ baterii patrz rozdział „Dane techniczne / Tabela danych”.



Wskazówka

Biegun dodatni baterii musi być odwrócony od płytki drukowanej.

- ▶ Zamknąć obudowę. Uważać przy tym na wgłębienie na brzegu pokrywy. Wgłębienie to określa prawidłowe położenie pokrywy i zapewnia szczelność obudowy.



Utylizacja baterii

Baterii nie wyrzucać do odpadów z gospodarstw domowych. Zużyte baterie mogą zawierać substancje szkodliwe dla zdrowia i środowiska. Zużyte baterie należy przekazywać do punktów sprzedaży lub zbiórki odpadów specjalnych.

INSTALACJA

7. Bezpieczeństwo

Instalacja, uruchomienie, jak również konserwacja i naprawa urządzenia mogą być wykonane wyłącznie przez wyspecjalizowanego instalatora.

7.1 Ogólne wskazówki dotyczące bezpieczeństwa

Producent zapewnia prawidłowe działanie i bezpieczeństwo eksploatacji tylko w przypadku stosowania oryginalnego osprzętu, przeznaczonego do tego urządzenia, oraz oryginalnych części zamiennych.



Szkody materialne

Nie wolno przekraczać maksymalnej temperatury na zasilaniu urządzenia. Przy wyższych temperaturach może nastąpić uszkodzenie urządzenia. Poprzez montaż centralnej armatury termostatycznej można ograniczyć maksymalną temperaturę wody na zasilaniu urządzenia.



OSTRZEŻENIE - porażenie prądem elektrycznym

Urządzenie zawiera kondensatory, które rozładowują się po odłączeniu od sieci elektrycznej. Napięcie rozładowania kondensatora może wynosić chwilowo > 60 V DC.

7.2 Tryb prysznicowy



OSTROŻNIE - poparzenie

▶ W przypadku zasilania prysznic nastawić wewnętrzne ograniczenie temperatury na 55° lub niżej, patrz rozdział „Opis urządzenia, tryb serwisowy, menu ochrony przed poparzeniem / ograniczenie temperatury”.



OSTROŻNIE - poparzenie

W przypadku zasilania urządzenia wodą wstępnie podgrzaną przestrzegać następującej zasady: Może nastąpić przekroczenie maksymalnej temperatury możliwej do ustawienia na ograniczniku.

- ▶ Ograniczyć temperaturę za pomocą centralnej armatury termostatycznej podłączonej przed urządzeniem.

7.3 Przepisy, normy i wymogi



Wskazówka

Należy przestrzegać krajowych i lokalnych przepisów oraz wymogów.

- Stopień ochrony IP 25 (ochrona strugoszczelna) jest zapewniony tylko przy prawidłowo zamontowanej osłonie przewodu.

- Właściwa oporność elektryczna wody nie może być mniejsza niż podana na tabliczce znamionowej. W przypadku sieci wodociągowej należy uwzględnić najniższą oporność elektryczną wody (patrz rozdział „Dane techniczne / Zakres pracy / Tabela przeliczeniowa”). Informacje o właściwej oporności elektrycznej lub elektrycznej przewodności wody można uzyskać w miejscowym zakładzie wodociągów.

8. Opis urządzenia

8.1 Zakres dostawy

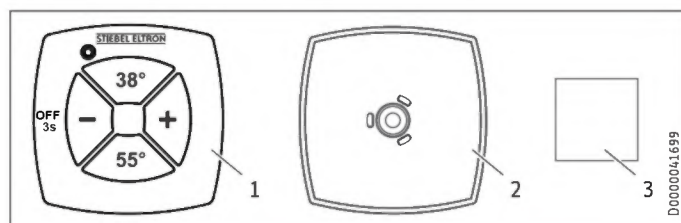
Z urządzeniem dostarczane są:

- Uchwyt ścienny
- Sworzeń gwintowany do zawieszenia na ścianie
- Szablon montażowy
- 2 złączki podwójne (woda zimna z zaworem odcinającym)
- Uszczelki płaskie
- Osłona przewodu (do górnego/dolnego elektrycznego przewodu zasilającego)
- Śruby/kołki do mocowania ściany tylnej w przypadku natynkowego podłączenia wody
- Zdalne sterowanie Mini-FFB

Do wymiany urządzenia

- 2 przedłużenia z zaworami

Pilot zdalnego sterowania



- 1 Nadajnik z baterią
- 2 Uchwyt ścienny
- 3 Taśma klejąca

9. Przygotowania

9.1 Miejsce montażu



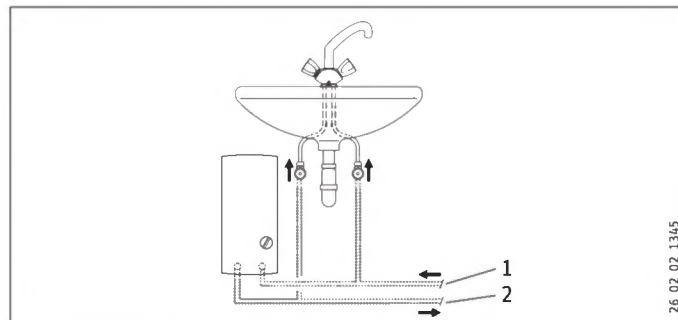
Szkody materialne

Urządzenie należy zainstalować w pomieszczeniu, w którym nie istnieje ryzyko zamarznięcia.

- Urządzenie należy zamontować pionowo, w pobliżu punktu poboru wody.

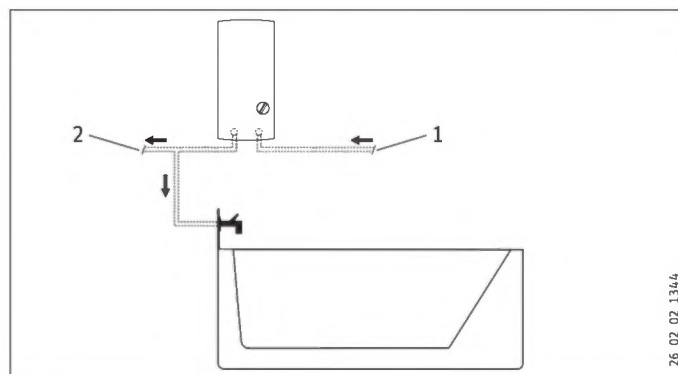
Urządzenie jest dostosowane do instalacji poniżej lub powyżej punktu poboru wody.

Montaż poniżej punktu poboru wody



- 1 Zimna woda, zasilanie
- 2 Ciepła woda, wyjście

Montaż powyżej punktu poboru wody



- 1 Zimna woda, zasilanie
- 2 Ciepła woda, wyjście



Wskazówka

- Zamontować urządzenie na ścianie. Ściana musi posiadać odpowiednią nośność.

9.2 Instalacja wodna

- Zawór bezpieczeństwa nie jest wymagany.
- W przewodzie ciepłej wody stosowanie zaworów bezpieczeństwa jest niedopuszczalne.
- Przepłukać dokładnie instalację wodną.

Armatury

Należy stosować odpowiednie armatury ciśnieniowe. Nie wolno stosować armatur bezcisnieniowych.



Wskazówka

- Nie używać zaworu odcinającego w dopływie wody zimnej do tłumienia przepływu. Zadaniem tego zaworu jest odcinanie urządzenia.

Dopuszczalne materiały rur wodociągowych

- Przewód dopływu zimnej wody:
rurka stalowa ocynkowana ogniowo, rurka ze stali nierdzewnej, rurka miedziana lub rurka z tworzywa sztucznego
- Rurka wyjścia ciepłej wody:
Rurka ze stali nierdzewnej, rurka miedziana lub rurka z tworzywa sztucznego



Szkody materialne

Przy stosowaniu rur z tworzywa sztucznego należy przestrzegać maksymalnej temperatury zasilania i maksymalnego dopuszczalnego ciśnienia (patrz rozdział „Dane techniczne / Tabela danych”).

Elastyczne przewody przyłączeniowe wody

- ▶ Nie dopuszczać do przekręcania kolanek rurowych przy instalacji w urządzeniu z elastycznymi przewodami przyłączeniowymi wody łączonymi zatrzaskowo.
- ▶ Przymocować tylną ściankę na dole przy użyciu dodatkowych śrub.

10. Montaż

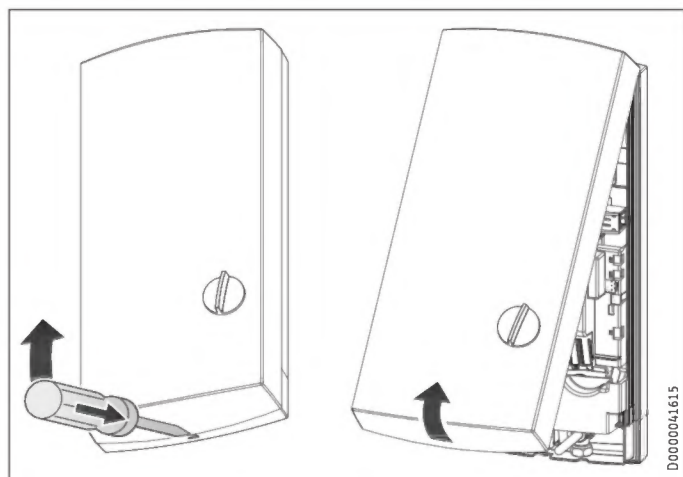
10.1 Montaż standardowy

- Przyłącze elektryczne u góry, instalacja podtynkowa
- Przyłącze wody, instalacja podtynkowa
- Wstępnie została nastawiona średnia moc przyłączeniowa

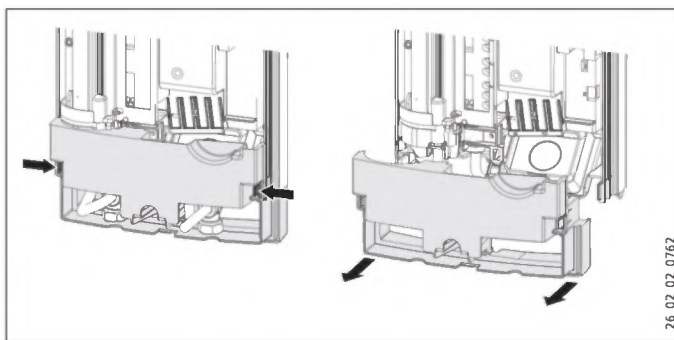
Opis innych sposobów montażu zawiera rozdział „Inne sposoby montażu”:

- Podtynkowe przyłącze elektryczne na dole
- Przyłącze elektryczne natynkowe
- Podłączenie przełącznika priorytetu
- Natynkowa instalacja wodna
- Podtynkowe przyłącze wody przy wymianie urządzenia
- Eksploatacja ze wstępnie podgrzaną wodą
- Montaż zdalnego sterowania

Otwieranie urządzenia

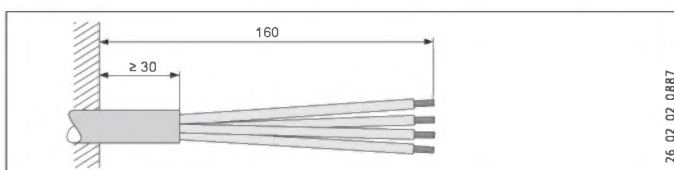


- ▶ Otworzyć urządzenie, odblokowując blokadę zatrzaskową.

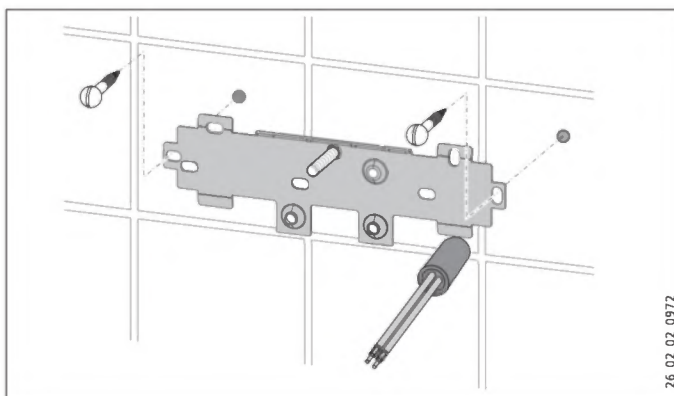


- ▶ Zdjąć ścianę tylną, naciskając oba haczyki blokujące i pociągając dolną część ścianki tylnej do przodu.

Przygotowanie sieciowego przewodu przyłączeniowego



Mocowanie uchwyty ścienny

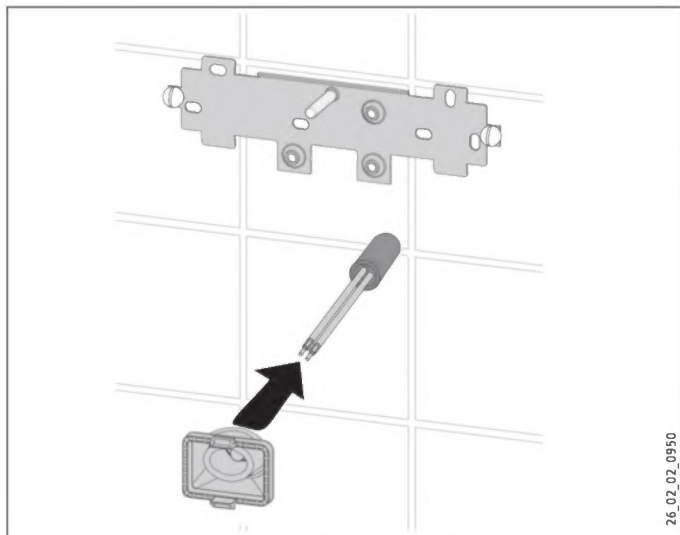


- ▶ Za pomocą szablonu montażowego zaznaczyć otwory do wywiercenia. W przypadku montażu urządzenia z przyłączami wody umieszczonymi na tynku należy dodatkowo oznaczyć otwory mocujące w dolnej części szablonu.
- ▶ Wywiercić otwory i zamocować listwę do zawieszenia na ścianie za pomocą 2 wkrętów i 2 kołków rozporowych (wkręty i kołki rozporowe nie są objęte zakresem dostawy).
- ▶ Zamontować dołączony sworzeń gwintowany.
- ▶ Zamontować uchwyt ścienny na ścianie.

INSTALACJA

Montaż

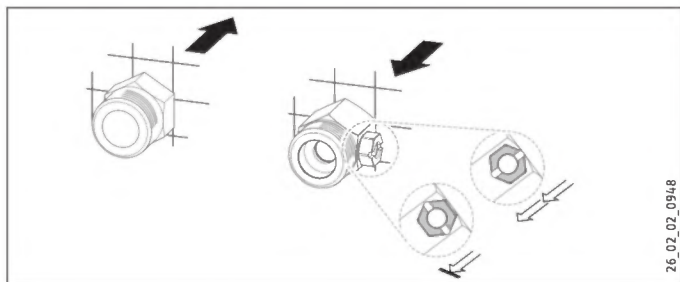
Montaż osłony przewodu



- ▶ Zamontować osłonę przewodu. Przy przekroju > 6 mm² powiększyć otwór w osłonie przewodu.

Wykonać podłączenie wodne

- ! Szkody materialne** Wszystkie prace w zakresie podłączania wody i prace instalacyjne należy wykonywać zgodnie z przepisami.

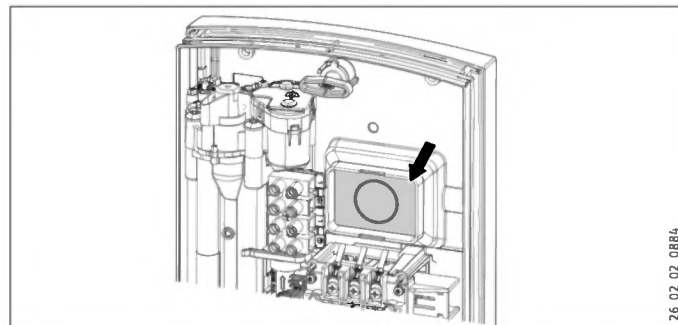


- ▶ Uszczelnić i wkręcić złączkę podwójną.

- ! Szkody materialne** Nie używać zaworu odcinającego w doływie wody zimnej do tłumienia przepływu.

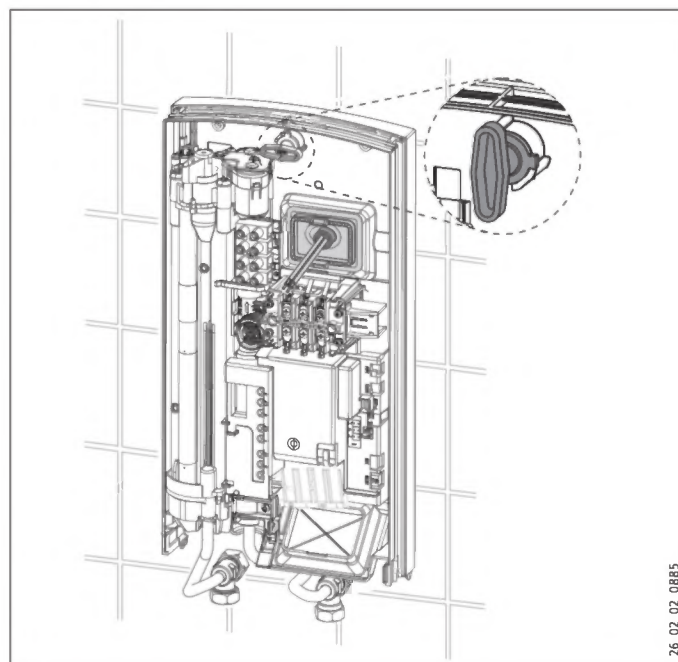
Przygotowanie do montażu tylnej ścianki

- ! Szkody materialne** W razie przygotowania nieodpowiedniego otworu w ścianie tylnej, należy użyć nowej ścianki tylnej!

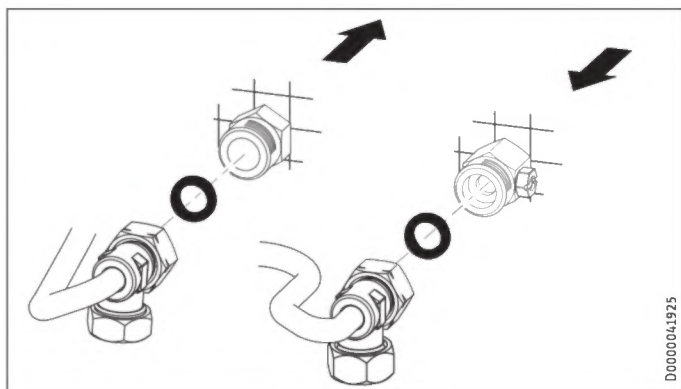


- ▶ W odpowiednich miejscach tylnej ścianki przygotować otwór dla osłony przewodu. W razie potrzeby wygładzić ostre krawędzie pilnikiem.

Montaż urządzenia



- ▶ Założyć tylną ściankę na sworzeń gwintowany i osłonę przewodu. Przy użyciu szczypiec pociągnąć osłonę przewodu za haczyki blokujące do tylnej ścianki, aż haczyki zostaną zablokowane w słyszalny sposób.
- ▶ Usunąć zabezpieczające zatyczki transportowe z przyłączy wody.
- ▶ Docisnąć mocno tylną ściankę i zablokować przetyczkę mocującą, obracając ją w prawo o 90°.



D0000041925

- ▶ Przykręcić rurki przyłączeniowe wody z uszczelkami płaskimi do złątek podwójnych.



Szkody materialne

Przy eksploatacji urządzenia sitko musi być zamontowane.

- ▶ Przy wymianie urządzenia sprawdzać, obecność sitka (patrz rozdział „Konserwacja”).

Wykonanie przyłącza elektrycznego



OSTRZEŻENIE - porażenie prądem elektrycznym
Wszystkie elektryczne prace przyłączeniowe i instalacyjne należy wykonywać zgodnie z przepisami.



OSTRZEŻENIE - porażenie prądem elektrycznym
Podłączenie do sieci elektrycznej jest dopuszczalne tylko w postaci przyłącza stałego, w połączeniu z wymienną osłoną przewodu. Urządzenie musi mieć możliwość odłączania od sieci elektrycznej za pomocą wielobiegunowego wyłącznika z rozwarciem styków wynoszącym min. 3 mm.



OSTRZEŻENIE - porażenie prądem elektrycznym
Zwrócić uwagę, aby urządzenie zostało podłączone do przewodu ochronnego.



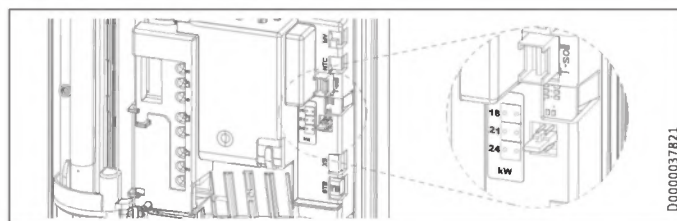
Szkody materialne

Zwrócić uwagę na treść tabliczki znamionowej. Podane napięcie musi być zgodne z napięciem sieciowym.

- ▶ Podłączyć elektryczny kabel przyłączeniowy do zacisku sieciowego (patrz rozdział „Dane techniczne/Schematy połączeń”).

Przełączenie wtyczki kodującej moc

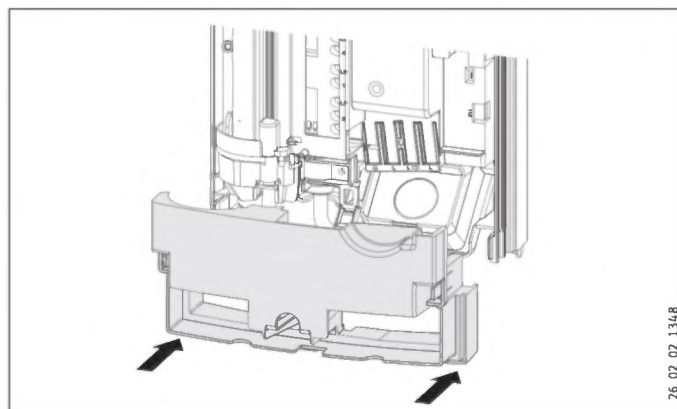
Urządzenie dostarczane jest z nastawą fabryczną na moc 21 kW. W celu przełączenia na inną moc przyłączeniową należy wykonać poniższe czynności:



D0000037821

- ▶ Przełączyć wtyczkę kodującą zgodnie z wybraną mocą przyłączeniową (moc przyłączeniowa i zabezpieczenie urządzenia do wyboru – patrz rozdział „Dane techniczne/Tabela danych”).
- ▶ Zaznaczyć wybraną moc przyłączeniową na tabliczce znamionowej. Do tego celu użyć długopisu.

Montaż dolnej części tylnej ścianki

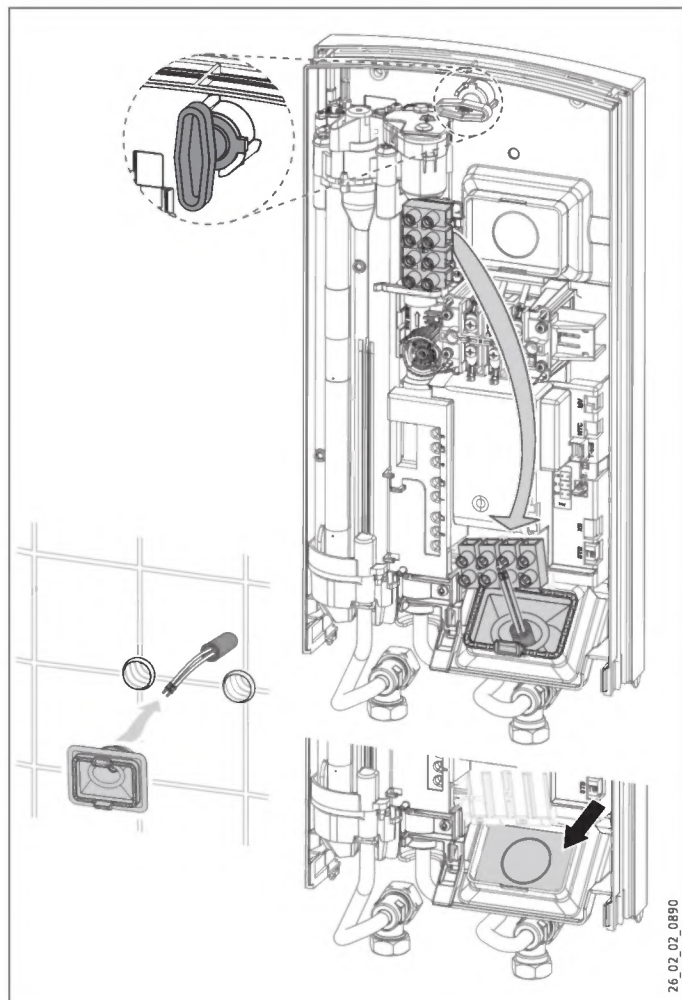


26_02_02_1348

- ▶ Zamontować dolną część do ściany tylnej i zaczepić ją.
- ▶ Wyrównać zamontowane urządzenie, zwalniając przetyczkę mocującą, wyrównując przyłączy elektryczne i tylną ściankę, a następnie z powrotem dokręcając przetyczkę mocującą. Jeżeli tylna ścianka urządzenia nie przylega równo, zamocować urządzenie przy użyciu dwóch dodatkowych wkrętów.

10.2 Inne sposoby montażu

10.2.1 Podtynkowe przyłącze elektryczne na dole



- ▶ Zamontować osłonę przewodu.

! **Szkody materialne**
W razie przygotowania nieodpowiedniego otworu w ścianie tylnej, należy użyć nowej ścianki tylnej!

- ▶ W odpowiednich miejscach tylnej ścianki przygotować otwór dla osłony przewodu. W razie potrzeby wygładzić ostre krawędzie pilnikiem.
- ▶ Przełożyć zacisk sieciowy w urządzeniu z góry do dołu.
- ▶ Założyć tylną ściankę na sworzeń gwintowany i osłonę przewodu. Przy użyciu szczypiec pociągnąć osłonę przewodu za haczyki blokujące do tylnej ścianki, aż haczyki zostaną zablokowane w słyszalny sposób.
- ▶ Docisnąć mocno tylną ściankę i zablokować przetyczkę mocującą, obracając ją w prawo o 90°.

10.2.2 Przyłącze elektryczne natynkowe

i **Wskazówka**
Przy takim sposobie podłączenia zmienia się stopień ochrony urządzenia.
▶ Zmienić zapis na tabliczce znamionowej. Skreślić „IP 25” i zaznaczyć pole „IP 24”. Do tego celu użyć długopisu.

! **Szkody materialne**
W razie przygotowania nieodpowiedniego otworu w ścianie tylnej, należy użyć nowej ścianki tylnej!

- ▶ Wyciąć lub równo wyłamać niezbędny przepust w tylnej ścianie (pozycje patrz rozdział „Dane techniczne / Wymiary i przyłącza”). W razie potrzeby wygładzić ostre krawędzie pilnikiem.
- ▶ Przeciągnąć elektryczny przewód przyłączeniowy przez osłonę przewodu i podłączyć go do zacisku sieciowego.

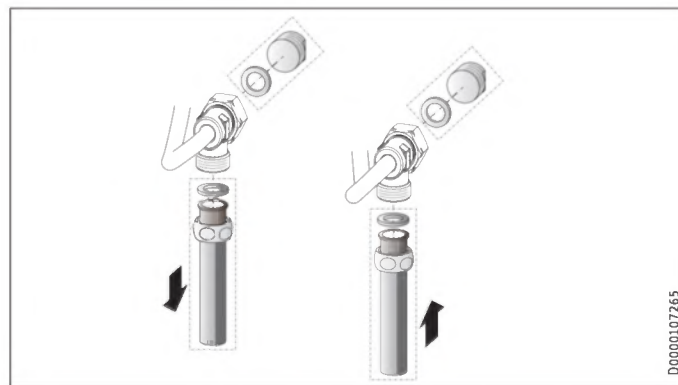
10.2.3 Podłączenie przełącznika priorytetu

W przypadku stosowania innych urządzeń elektrycznych dużej mocy może zaistnieć potrzeba zainstalowania przełącznika priorytetu montowanego w rozdzielni elektrycznej. W tym przypadku praca innych urządzeń podłączonych do przełącznika będzie wstrzymywana na czas pracy ogrzewacza.

! **Szkody materialne**
Fazę włączającą przełącznik priorytetu należy podłączyć do odpowiednio oznaczonego zacisku sieciowego w urządzeniu (patrz rozdział „Dane techniczne/Schematy połączeń”).

10.2.4 Natynkowa instalacja wodna

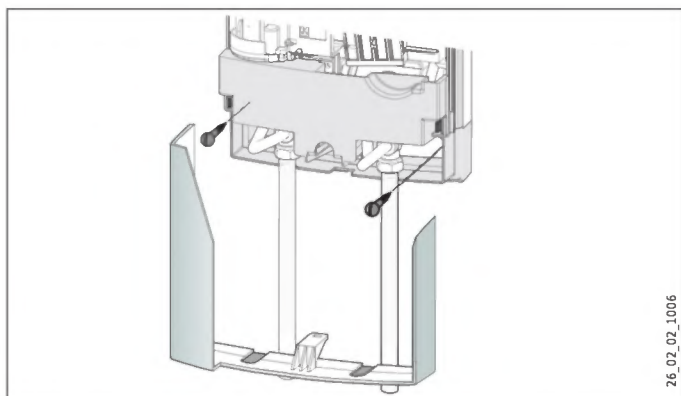
i **Wskazówka**
Przy takim sposobie podłączenia zmienia się stopień ochrony urządzenia.
▶ Zmienić zapis na tabliczce znamionowej. Skreślić „IP 25” i zaznaczyć pole „IP 24”. Do tego celu użyć długopisu.



- ▶ Zamontować korki z uszczelkami, aby zamknąć przyłącze podtynkowe.
- ▶ Zamontować odpowiednią armaturę ciśnieniową.

INSTALACJA

Uruchomienie



26_02_02_1006

- ▶ Przymocować tylną ściankę na dole przy użyciu dodatkowych śrub.
- ▶ Wsunąć dolną część tylnej ścianki pod rurki przyłączeniowe armatury i zaczeplić ją.
- ▶ Przykręcić rurki przyłączeniowe do urządzenia.



Szkody materiałne

W razie przygotowania nieodpowiedniego otworu w pokrywie urządzenia należy użyć nowej pokrywy!

- ▶ Dokładnie wytłamać otwory przelotowe w pokrywie urządzenia. W razie potrzeby wygładzić ostre krawędzie pilnikiem.

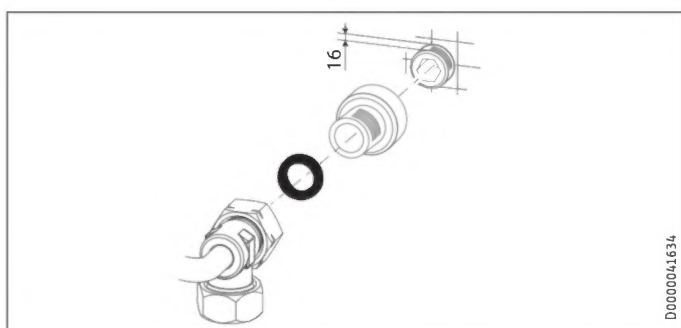
10.2.5 Podtynkowe przyłącze wody przy wymianie urządzenia

Jeżeli złączki podwójne pozostałe po poprzednim urządzeniu wystają tylko ok. 16 mm ze ściany, nie można użyć dostarczonej złączki podwójnej.



Wskazówka

W przypadku tego przyłącza, odcięcie dopływu zimnej wody jest możliwe tylko w instalacji domowej.



D0000041634

- ▶ Uszczelnić i wkręcić dostarczone przedłużenia armatury.
- ▶ Podłączyć urządzenie.

10.2.6 Eksploatacja ze wstępnie podgrzaną wodą

Poprzez montaż centralnej armatury termostatycznej można ograniczyć maksymalną temperaturę na wlocie. W przypadku eksploatacji w trybie prysznicowym armaturę należy nastawić na maks. 55 °C.

10.3 Zakończenie montażu

- ▶ Otworzyć zawór odcinający w złączce podwójnej lub przewodzie doprowadzającym zimną wodę.

10.4 Montaż zdalnego sterowania

Nadajnik można zamontować do ściany przy pomocy uchwytu ściennego

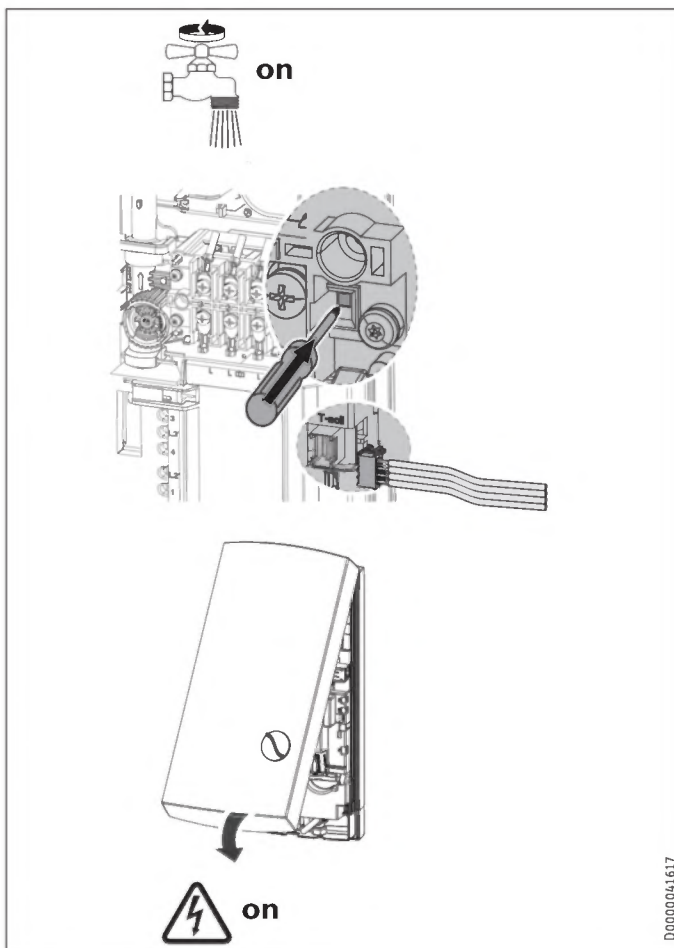
- ▶ Uchwyt można przymocować do ściany przy użyciu dołączonej taśmy klejącej lub odpowiedniego wkrętu (Ø 3 mm lub mniejsza).

11. Uruchomienie



OSTRZEŻENIE - porażenie prądem elektrycznym
Uruchomienie może zostać przeprowadzone wyłącznie przez wyspecjalizowanego Instalatora lub Serwisanta, z zachowaniem przepisów bezpieczeństwa.

11.1 Pierwsze uruchomienie



D0000041617

- ▶ Kilkakrotnie otworzyć i zamknąć wszystkie podłączone armatury poboru wody, aż do usunięcia całego powietrza z urządzenia i instalacji.
- ▶ Przeprowadzić kontrolę szczelności.
- ▶ Uaktywnić ogranicznik ciśnienia bezpieczeństwa, wciskając na stałe przycisk resetowania (urządzenie dostarczane jest z nieaktywnym ogranicznikiem ciśnienia bezpieczeństwa).

Wyłączenie z eksploatacji

- ▶ Podłączyć wtyczkę przewodu nadajnika wartości zadanej temperatury do elektroniki.
- ▶ Zamontować pokrywę urządzenia, aż zatrzaśnie się w sposób słyszalny. Sprawdzić prawidłowe osadzenie pokryw urządzenia.
- ▶ Włączyć napięcie sieci.
- ▶ Sprawdzić prawidłowość pracy urządzenia.

Zdalne sterowanie Mini-FFB

Zdalne sterowanie jest fabrycznie zarejestrowany w urządzeniu. Jeżeli podczas uruchamiania nie zostaną przesłane żadne dane, przeprowadzić proces rejestracji zgodnie z poniższym opisem:

- ▶ Włączyć przy pomocy przycisku ECO funkcję komfortu „Zdalne sterowanie (rc)”
- ▶ Nacisnąć przycisk zapisu 1 na urządzeniu (faza rejestracji aktywuje się, wskaźnik kreskowy na wskazaniu przesuwają się).
- ▶ Następnie nacisnąć przycisk na zdalnym sterowaniu.

Ochrona przed poparzeniem / ograniczenie temperatury

Żądane ograniczenie temperatury można ustawić w zakresie od 31-60 °C w trybie serwisowym.

Przekazanie urządzenia

- ▶ Objąć użytkownikowi sposób działania urządzenia i zapoznać go ze sposobem użytkowania.
- ▶ Poinformować użytkownika o potencjalnych zagrożeniach, zwłaszcza o niebezpieczeństwie poparzenia.
- ▶ Przekazać niniejszą instrukcję.

11.2 Ponowne uruchomienie

Odpowietrzyć urządzenie i przewód doprowadzający wody zimnej (patrz rozdział „Nastawy”).

Patrz rozdział „Pierwsze uruchomienie”.

12. Wyłączenie z eksploatacji

- ▶ Odłączyć urządzenie na wszystkich biegunach od przyłącza sieciowego.
- ▶ Opróżnić urządzenie (patrz rozdział „Konserwacja”).

13. Usuwanie usterek



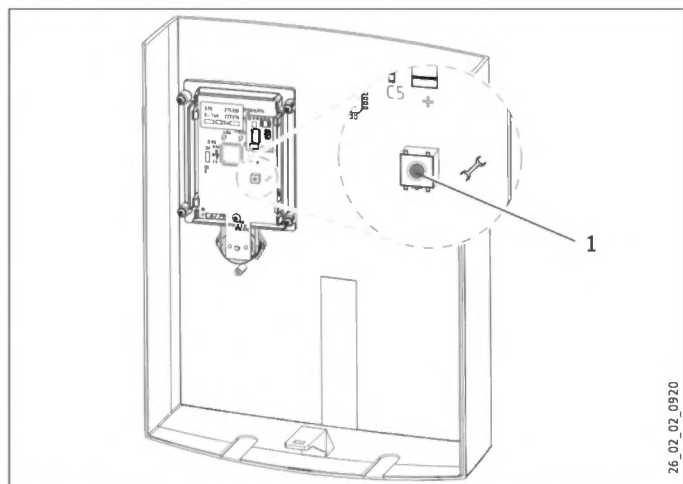
OSTRZEŻENIE - porażenie prądem elektrycznym
Aby umożliwić sprawdzenie urządzenia, należy doprowadzić do niego napięcie sieciowe.

Usterka	Przyczyna	Usuwanie
Zbyt mały przepływ.	Sito i/lub regulator strumienia są zanieczyszczone Uszkodzony zawór nastawczy z silnikiem.	Oczyścić sito i/lub regulator strumienia. Sprawdzić zawór. W razie potrzeby wymienić.
Stałe wskazanie błędu na elemencie obsługowym.	Czujnik/elektronika uszkodzona. Zakłócenia w komunikacji między panelem obsługowym a sterownikiem.	Zanalizować błąd dalej w trybie serwisowym (patrz rozdział „Tryb serwisowy”). Sprawdzić element obsługowy i przewód potężeniowy.
Nie włącza się podświetlenie wyświetlacza	Brak napięcia sieciowego Luźny kabel potężeniowy panelu obsługi	Sprawdzić bezpieczniki w instalacji domowej. Podłączyć kabel potężeniowy.
	Zadziałał ochronny ogranicznik ciśnienia. Elektronika uszkodzona.	Usunąć przyczynę. Zabezpieczyć system grzewczy przed przegrzaniem, otwierając na minutę zawór poboru znajdującego się za urządzeniem. Powoduje to zredukowanie ciśnienia i schłodzenie systemu grzewczego. Aktywować ochronny ogranicznik ciśnienia przy ciśnieniu przepływu, naciskając przycisk zerowania. Sprawdzić elektronikę, w razie potrzeby wymienić.
Ogrzewanie nie włącza się / brak ciepłej wody.	System grzewczy jest uszkodzony. Uszkodzony lub nie podłączony czujnik przepływu. Ogranicznik bezpieczeństwa temperatury zadziałał lub jest uszkodzony.	Sprawdzić system grzewczy, w razie potrzeby wymienić. Sprawdzić połączenie. Sprawdzić pomiar przepływu w trybie obsługi klienta. Usunąć przyczynę. Aktywować ogranicznik temperatury bezpieczeństwa, w razie potrzeby wymienić.
Wskazanie błędu jest wyświetlane tylko podczas pobierania wody.	Usterka jednej fazy Temperatura wody zasilającej > 45 °C.	Sprawdzić bezpieczniki w instalacji domowej. Patrz rozdział „Instalacja wodna”, w razie potrzeby ograniczyć temperaturę wody zasilającej.
Chwilowa zimna woda.	Funkcja Wellness aktywna. Krótkie zmniejszenie przepływu Wykrywanie powietrza zaczyna działać (zimna woda przez ok. 1 min).	Wyłączyć funkcję Wellness. Urządzenie automatycznie zaczyna działać, gdy przywrócony zostanie wystarczający przepływ. Urządzenie automatycznie powraca do pracy po pewnym czasie.

13.1 Tryb obsługi klienta

Tryb serwisowy można włączyć/wyłączyć, naciskając przycisk SERVICE w tylnej części panelu obsługi (musi być podłączony przewód temperatury zadanej). Przyciskiem ECO (patrz rozdział „Nastawienia/Nastawienia w menu INFO”) można przełączyć dalej do następnego pozycji menu.

W wybranym podmenu można się poruszać, obracając pokrętkę do regulacji temperatury.



1 Przycisk SERVICE

13.1.1 Menu Error

Menu to jest wyświetlane tylko wtedy, gdy występuje błąd.

Kod	Znaczenie
E1, ELEC	Podzespół elektroniczny jest uszkodzony. Wymienić podzespół elektroniczny.
E 3, ntc	Sprawdzić połączenie elektryczne z czujnikiem wypływu. W razie potrzeby wymienić go.
E 4, mot	Sprawdzić połączenie elektryczne z zaworem sterującym silnikiem. W razie potrzeby wymienić.

13.1.2 Menu Control

Kod	Znaczenie
C 1, 36,5 °C	Wskazanie aktualnej temperatury wody doprowadzonej. W razie uszkodzenia czujnika zimnej wody wyświetlana jest temperatura 1,0 °C.
C 2, 47,5 °C	Wskazanie aktualnej temperatury wody wypływającej. W razie uszkodzenia czujnika wypływu wyświetlana jest temperatura 65,0 °C.
C 3, 6,8 l/min	Wskazanie aktualnej wartości przepływu.
C 4, 21,5 kW	Wskazanie aktualnego poboru mocy.

13.1.3 Menu danych

Kod	Znaczenie
d 1, 8042	Kod serwisowy dla serwisu
d 2, 2341	Czas podany w liczbie dni, w których urządzenie podłączone jest do sieci.
d 3, 172 h	Czas ogrzewania w godzinach.
d 4, 24 kW	Maksymalna moc w kW: Moc ta może odbiegać od mocy znamionowej, np. przy napięciach sieciowych innych niż 400 V.

13.1.4 Menu ochrony przed poparzeniem / ograniczenia temperatury

Kod	Znaczenie
OFF	Wyłączono ochronę przed poparzeniem / ograniczenie temperatury.
On	Włączono ochronę przed poparzeniem / ograniczenie temperatury.
31-60 °C	Maksymalna wartość na urządzeniu przy ustawieniu On.

Nastawy fabryczne (patrz rozdział „Dane techniczne”). Po opuszczeniu menu obsługi klienta, bez dodatkowych działań można zmienić maksymalną ustawioną temperaturę za pomocą panelu obsługowego.



OSTROŻNIE - poparzenie

Przy zasilaniu wodą wstępnie podgrzaną ustawione ograniczenie temperatury bądź zabezpieczenie przed poparzeniem mogą być nieskuteczne.

W takim przypadku należy ograniczyć temperaturę na centralnej armaturze termostatycznej przed urządzeniem.

14. Konserwacja



OSTRZEŻENIE - porażenie prądem elektrycznym

Przed przystąpieniem do wszelkich prac należy odłączyć urządzenie na wszystkich biegunach od sieci.

Opróżnianie urządzenia

Urządzenie można opróżnić do celów konserwacyjnych.



OSTRZEŻENIE - poparzenie

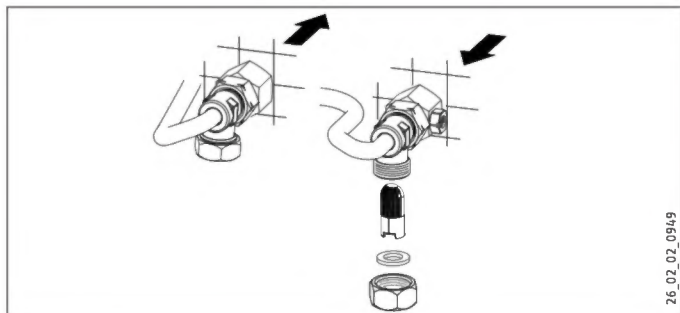
Podczas opróżniania urządzenia może wypłynąć gorąca woda.

- ▶ Zamknąć zawór odcinający w złączce podwójnej lub przewodzie doprowadzającym zimną wodę.
- ▶ Otworzyć wszystkie armatury poboru wody.
- ▶ Odkręcić przyłącza wody od urządzenia.
- ▶ Zdemontowane urządzenie przechowywać w miejscu zabezpieczonym przed mrozem, ponieważ resztki wody pozostałe w urządzeniu mogą doprowadzić do jego zamarznięcia i uszkodzenia.

INSTALACJA

Dane techniczne

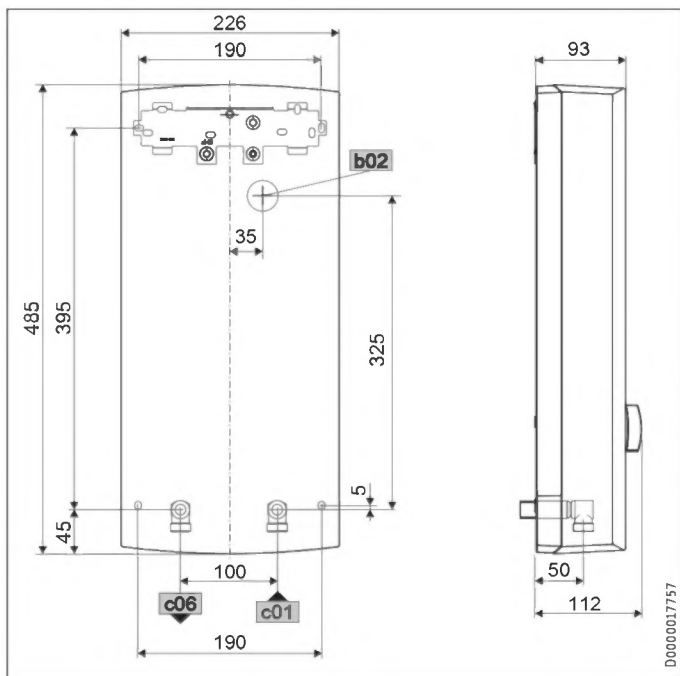
Czyszczenie sitka



W razie zabrudzenia, oczyścić sitko w przyłączy zimnej wody. Podłączyć zawór odcinający przewodu doprowadzającego wody zimnej przez wymontowaniem, oczyszczeniem i ponownym zamontowaniem sitka.

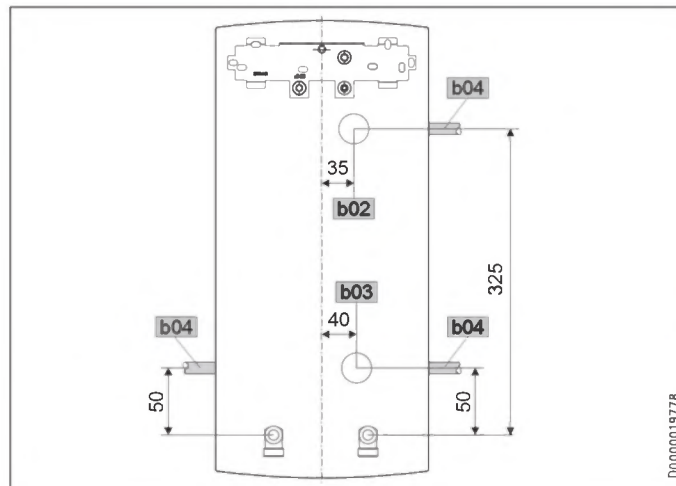
15. Dane techniczne

15.1 Wymiary i przyłącza



b02	Przepust na przewody elektryczne I		
c01	Zimna woda, zasilanie	Gwint zewnętrzny	G 1/2 A
c06	Ciepła woda, wyjście	Gwint zewnętrzny	G 1/2 A

Inne możliwości podłączenia



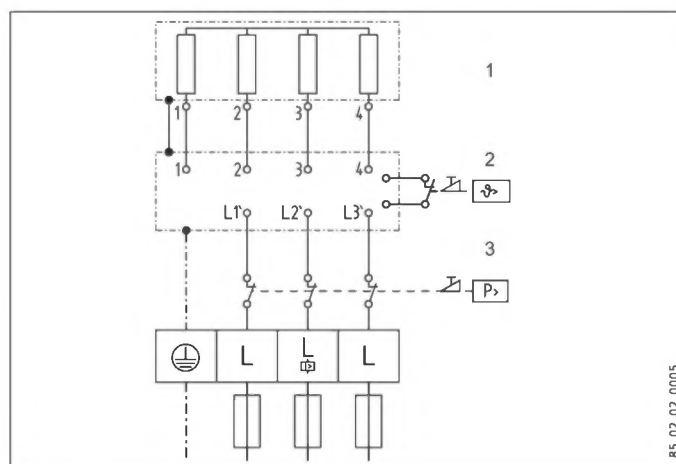
b02 Przepust na przewody elektryczne I

b03 Przepust na przewody elektryczne II

b04 Przepust na przewody elektryczne III

15.2 Schematy elektryczne

3/PE ~ 380-415 V

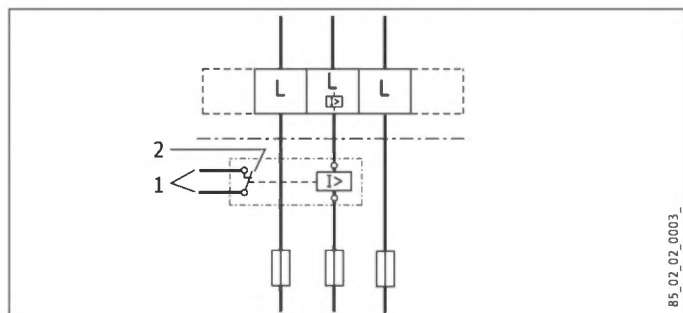


- 1 Grzałki
- 2 Ogranicznik temperatury bezpieczeństwa
- 3 Ogranicznik ciśnienia bezpieczeństwa

INSTALACJA

Dane techniczne

Przełączanie priorytetowe za pomocą LR 1-A



- 1 Przewód sterujący do stycznika drugiego urządzenia (np. elektrycznego pieca akumulacyjnego).
- 2 Zestyk sterujący otwiera się po włączeniu przepływowego ogrzewacza wody.

15.3 Nastawy fabryczne

Wellness		OFF
Automatyczne sterowanie ilością wody		OFF / 80 l
ECO	ECO	38 °C / 8 l/min
Zabezpieczenie przed dziećmi		OFF / 43,0 °C
Drugi wiersz wskazania		l/min
Podświetlenie orientacyjne		OFF
Podświetlenie wyświetlacza	niebieski / czerwony	100 %

15.4 Wydajność CWU

Wydajność ciepłej wody zależy od doprowadzonego napięcia sieciowego, mocy przyłączeniowej urządzenia i temperatury zimnej wody na zasilaniu urządzenia. Napięcie znamionowe oraz moc znamionowa należy odczytać z tabliczki znamionowej (patrz rozdział „Usuwanie problemów”).

Moc przyłączeniowa w kW		38 °C – wydajność ciepłej wody w l/min.				
Napięcie znamionowe		Temperatura zimnej wody na zasilaniu				
380 V	400 V	415 V	5 °C	10 °C	15 °C	20 °C
16,2			7,0	8,3	10,1	12,9
19			8,2	9,7	11,8	15,1
21,7			9,4	11,1	13,5	17,2
	18		7,8	9,2	11,2	14,3
	21		9,1	10,7	13,0	16,7
	24		10,4	12,2	14,9	19,0
		19,4	8,4	9,9	12,0	15,4
		22,6	9,8	11,5	14,0	17,9
		25,8	11,2	13,2	16,0	20,5

Moc przyłączeniowa w kW		50 °C – wydajność ciepłej wody w l/min.				
Napięcie znamionowe		Temperatura zimnej wody na zasilaniu				
380 V	400 V	415 V	5 °C	10 °C	15 °C	20 °C
16,2			5,1	5,8	6,6	7,7
19			6,0	6,8	7,8	9,0
21,7			6,9	7,8	8,9	10,3
	18		5,7	6,4	7,3	8,6
	21		6,7	7,5	8,6	10,0
	24		7,6	8,6	9,8	11,4
		19,4	6,2	6,9	7,9	9,2
		22,6	7,2	8,1	9,2	10,8
		25,8	8,2	9,2	10,5	12,3

15.5 Zakres pracy / tabela przeliczeniowa

Oporność elektryczna właściwy i przewodność elektryczna właściwa, patrz rozdział „Tabela danych”.

Wartość znamionowa przy 15 °C			20 °C			25 °C		
Oporność $\rho \geq$	Przewodność $\sigma \leq$		Oporność $\rho \geq$	Przewodność $\sigma \leq$		Oporność $\rho \geq$	Przewodność $\sigma \leq$	
$\Omega \text{ cm}$	mS/m	$\mu\text{S/cm}$	$\Omega \text{ cm}$	mS/m	$\mu\text{S/cm}$	$\Omega \text{ cm}$	mS/m	$\mu\text{S/cm}$
900	111	1111	800	125	1250	735	136	1361
1000	100	1000	890	112	1124	815	123	1227

15.6 Straty ciśnienia

Armatury

Strata ciśnienia w armaturze, przy przepływie 10 l/min		
Jednouchwytna armatura mieszająca, ok.	MPa	0,04 - 0,08
Armatura termostatyczna, ok.	MPa	0,03 - 0,05
Natrysk ręczny, ok.	MPa	0,03 - 0,15

Wymiarowanie sieci rur

Do zaprojektowania sieci rur zaleca się uwzględnienie dla urządzenia straty ciśnienia wynoszącej 0,1 MPa.

15.7 Warunki awaryjne

W razie awarii w instalacji mogą chwilowo występować obciążenia maks. 95 °C przy ciśnieniu 1,2 MPa.

INSTALACJA

Dane techniczne

15.8 Dane dotyczące zużycia energii

Karta danych produktu: Konwencjonalny podgrzewacz ciepłej wody użytkowej zgodnie z rozporządzeniem (UE) nr 812/2013 | 814/2013

		PER 18/21/24
		233990
Producent		STIEBEL ELTRON
Profil obciążeń		S
Klasa efektywności energetycznej		A
Sprawność energetyczna	%	39
Roczne zużycie prądu	kWh	478
Fabryczne ustawienie temperatury	°C	60
Poziom mocy akustycznej	dB(A)	15
Szczególne uwagi dotyczące pomiaru efektywności		Dane w przypadku Pmaks.
Dzienne zużycie prądu	kWh	2,199

15.9 Tabele danych

		PER 18/21/24
		233990
Dane elektryczne		
Napięcie znamionowe	V	380 400 415
Moc znamionowa	kW	16,2/19/21,7 18/21/24 19,4/22,6/25,8
Prąd znamionowy	A	27,6/29,5/33,3 29/31/35 30,1/32,2/36,3
Zabezpieczenie	A	32/32/35 32/32/35 32/32/40
Częstotliwość	Hz	50/60 50/60 50/-
Fazy		3/PE
Maks. impedancja sieci przy 50 Hz	Ω	0,284 0,270 0,260
Przewodność właściwa $\sigma_{15} \leq$ (przy $\vartheta_{zimnej} \leq 25$ °C)	$\mu S/cm$	1111 1111 1000
Oporność właściwa $\rho_{15} \geq$ (przy $\vartheta_{zimnej} \leq 25$ °C)	Ω cm	900 900 1000
Oporność właściwa $\rho_{15} \geq$ (przy $\vartheta_{zimnej} \leq 45$ °C)	Ω cm	1200 1200 1300
Przewodność właściwa $\sigma_{15} \leq$ (przy $\vartheta_{zimnej} \leq 45$ °C)	$\mu S/cm$	830 830 770
Przyłącza		
Przyłącze wody		G 1/2 A
Granice stosowania		
Maks. dopuszczalne ciśnienie	MPa	1
Maks. temp. podgrzanej wody na zasilaniu	°C	45
Parametry		
Maks. dopuszczalna temperatura wody na zasilaniu	°C	60
Włączone	l/min	>2,5
Spadek ciśnienia przy przepływie	MPa	0,08/0,1/0,13
Przepływ przy spadku ciśnienia	l/min	5,2/6,0/6,9
Wydajność CWU	l/min	9,4/11,0/12,6
$\Delta\vartheta$ przy wydajności	K	26
Dane hydrauliczne		
Pojemność znamionowa	l	0,4
Wykonania		
Moc przyłączeniowa wybieralna		X
Regulacja temperatury	°C	30-60
Blok izolacyjny		Tworzywo sztuczne
Wytwornica ciepła systemu grzejnego		Z odkrytą grzałką
Pokrywa i ścianka tylna		Tworzywo sztuczne
Kolor		Biały
Stopień ochrony (IP)		IP25
Wymiary		
Wysokość	mm	485
Szerokość	mm	226
Głębokość	mm	93
Masy		
Masa	kg	3,8



Wskazówka

Urządzenie jest zgodne z IEC 61000-3-12.

Dane techniczne

		Zdalne bezprzewodowe sterowanie Mini
Wymiary (W/S/G) bez uchwyty ściennego	mm	50/50/17
Częstotliwość radiowa	MHz	868,3
Zasięg w budynku łącznie ze stropem międzypiętrowym	m	ok. 25
Zakres nastaw temperatury	°C	30-60
Stopień ochrony wg EN 60529	Natrysk Wanna	IP X5 IP X7
Typ baterii		1 x CR 2032

Gwarancja

Urządzeń zakupionych poza granicami Niemiec nie obejmują warunki gwarancji naszych niemieckich spółek. Ponadto w krajach, w których jedna z naszych spółek córek jest dystrybutorem naszych produktów, gwarancji może udzielić wyłącznie ta spółka. Taka gwarancja obowiązuje tylko wówczas, gdy spółka-córka sformułowała własne warunki gwarancji. W innych przypadkach gwarancja nie jest udzielana.

Nie udzielamy gwarancji na urządzenia zakupione w krajach, w których żadna z naszych spółek córek nie jest dystrybutorem naszych produktów. Ewentualne gwarancje udzielone przez importera zachowują ważność.

Ochrona środowiska i recycling

Pomóż chronić środowisko naturalne. Materiały po wykorzystaniu należy utylizować zgodnie z krajowymi przepisami.

UDHËZIME TË VEÇANTA

PËRDORIMI

1.	Udhëzime të përgjithshme	60
1.1	Udhëzimet e sigurisë	60
1.2	Shënime të tjera në këtë dokumentacion	60
1.3	Njësitë matëse	61
2.	Siguria	61
2.1	Përdorimi sipas përcaktimeve	61
2.2	Udhëzimet e përgjithshme të sigurisë	61
2.3	Shenja e kontrollit	61
3.	Përshkrimi i pajisjes	61
4.	Cilësimet	62
4.1	Cilësimet dhe treguesit në pajisje	62
4.2	Cilësimet në menynë INFO	63
4.3	Cilësimet të butonit me valë	65
4.4	Funksione të tjera	65
4.5	Rekomandimet e konfigurimit	65
5.	Pastrimi, kujdesi dhe mirëmbajtja	65
6.	Eliminimi i problemit	65

INSTALIMI

7.	Siguria	66
7.1	Udhëzimet e përgjithshme të sigurisë	66
7.2	Funksionimi i dushit	66
7.3	Rregulloret, standardet dhe përcaktimet	66
8.	Përshkrimi i pajisjes	67
8.1	Përmbajtja e paketimit në dorëzim	67
9.	Përgatitjet	67
9.1	Vendi i montimit	67
9.2	Instalimi i ujit	67
10.	Montimi	68
10.1	Montimi standard	68
10.2	Alternativat e montimit	70
10.3	Përfundoni montimin	71
10.4	Montimi i butonit me valë	72
11.	Vënia në punë	72
11.1	Vënia në punë për herë të parë	72
11.2	Rivënia në punë	72
12.	Dalja jashtë përdorimit	72
13.	Eliminimi i defektit	73
13.1	Modaliteti i shërbimit ndaj klientit	73
14.	Mirëmbajtja	74
15.	Të dhënat teknike	74
15.1	Përmasat dhe lidhjet	74
15.2	Diagramet e qarkut elektrik	75
15.3	Cilësimet nga fabrika	75
15.4	Fuqia e ujit të ngrohtë	75
15.5	Zonat e përdorimit / tabela e kthimit	75
15.6	Humbjet e presionit	75
15.7	Kushtet në rast defekti	75
15.8	Të dhënat për konsumin e energjisë	76
15.9	Tabelat e të dhënave	76

GARANCIA

MJEDISI DHE RICIKLIMI

UDHËZIME TË VEÇANTA

- Pajisja mund të përdoret nga fëmijët mbi 3 vjeç si dhe nga persona me aftësi fizike, shqisore ose mendore të reduktuara ose me mungesë përvoje dhe njohurish, nëse ata mbikëqyren ose janë udhëzuar në lidhje me përdorimin e sigurt të pajisjes dhe i kanë kuptuar rreziqet që rezultojnë si rrjedhojë e kësaj. Fëmijët nuk duhet të luajnë me pajisjen. Pastrimi dhe mirëmbajtja që kryhen nga përdoruesi nuk duhen kryer nga fëmijët pa mbikëqyrje.
- Rubineti mund të pranojë një temperaturë deri në 60 °C. Kur temperaturat e rrjedhjes janë më të mëdha se 43 °C ekziston rreziku i përvëlimit.
- Pajisja është e përshtatshme për furnizimin e një dushi (funksionimi i dushit). Nëse pajisja përdoret edhe ose vetëm për funksionimin e dushit, atëherë specialisti duhet të kufizojë zonën e konfigurimit të temperaturës nëpërmjet kufizimit të temperaturës (55 °C ose më të ulët) në pajisje. Në rastin e përdorimit të ujit të ngrohur paraprakisht duhet siguruar që të mos tejkalohet një temperaturë e furnizimit prej 55 °C.
- Pajisja duhet të jetë në gjendje të ndahet nga lidhja e rrjetit në të gjitha polet me një distancë ndarëse prej të paktën 3 mm.
- Tensioni i specifikuar duhet të përputhet me furnizimin me energji elektrike.
- Pajisja duhet lidhur te përcjellësi mbrojtës i tokëzimit.
- Pajisja duhet lidhur në mënyrë të qëndrueshme me një instalim elektrik fiks.
- Fiksoni pajisjen siç përshkruhet në kapitullin «Instalimi / Montimi».
- Kini parasysh presionin maksimal të lejuar (shihni kapitullin «Instalimi / Të dhënat teknike / Tabela e të dhënave»).

- Rezistenca specifike e ujit të rrjetit të furnizimit me ujë nuk duhet tejkaluar (shihni kapitullin «Instalimi / Të dhënat teknike / Tabela e të dhënave»).
- Zbrazni pajisjen siç përshkruhet në kapitullin «Instalimi / Mirëmbajtja / Zbrazja e pajisjes».

PËRDORIMI

1. Udhëzime të përgjithshme

Kapitujt «Udhëzime të veçanta» dhe «Përdorimi» i drejtohen përdoruesve të pajisjes dhe specialistëve.

Kapitulli «Instalimi» i drejtohet specialistëve.



Udhëzim

Lexoni me kujdes manualin përpara përdorimit dhe ruajeni atë.
Nëse është e nevojshme jepjani manualin një përdoruesi pasardhës.

1.1 Udhëzimet e sigurisë

1.1.1 Struktura e udhëzimeve të sigurisë



FJALA SINJALIZUESE Lloji i rrezikut

Këtu janë dhënë pasojat e mundshme në rastin e mosrespektimit të udhëzimeve të sigurisë.

- Këtu janë dhënë masat për vetëmbrojtjen nga rreziku.

1.1.2 Simbolet, lloji i rrezikut

Simboli	Lloji i rrezikut
	Lëndimi
	Goditja e energjisë elektrike
	Djegia (Djegia, përvëlimi)

1.1.3 Fjalët sinjalizuese

FJALA SINJALIZUESE	Kuptimi
RREZIK	Udhëzime, mosrespektimi i të cilave ka si pasojë lëndime të rënda ose vdekje.
PARALAJMËRIM	Udhëzime, mosrespektimi i të cilave mund të ketë si pasojë lëndime të rënda ose vdekje.
KUJDES	Udhëzime, mosrespektimi i të cilave mund të çojë në lëndime mesatarisht të rënda ose të lehta.

1.2 Shënime të tjera në këtë dokumentacion





Udhëzim

Udhëzimet e përgjithshme identifikohen me simbolin shoqërues.

- Lexoni me kujdes tekstet udhëzuese.

PËRDORIMI

Siguria

Simboli	Kuptimi
	Dëmet materiale (Dëmet e pajisjes, dëmet me pasoja, dëmet e mjedisit)
	Hedhja e pajisjeve

► Ky simbol ju tregon që duhet të bëni diçka. Veprimet e nevojshme përshkruhen hap pas hapi.

1.3 Njësitë matëse



Udhëzim

Nëse nuk jepet ndryshe, të gjitha përmasat janë në milimetra.

2. Siguria

2.1 Përdorimi sipas përcaktimeve

Pajisja e presionit shërben për ngrohjen e ujit të pijshëm ose për ringrohjen e ujit të ngrohur paraprakisht. Pajisja mund të furnizojë një ose disa pika të marrjes.

Pajisja është parashikuar për përdorimin në mjedisin shtëpiak. Ajo mund të përdoret në mënyrë të sigurt nga persona të patrajnuar. Në mjedisin joshtëpiak, p.sh. në punishte të vogla, pajisja mund të përdoret gjithashtu, për aq kohë sa përdorimi bëhet në mënyrë të njëjtë.

Çdo përdorim tjetër ose përdorimi që shkon përtej kësaj konsiderohet të mos jetë sipas përcaktimeve. Për përdorimin sipas përcaktimeve përfshihet edhe zbatimi i këtij manuali si dhe manualat për aksesoret e përdorur.

2.2 Udhëzimet e përgjithshme të sigurisë



Udhëzim

Butoni me valë të temperaturës ka një bateri në formë kopse prej litiumi si bateri për furnizimin me energji elektrike. Hiqni bateritë e konsumuara. Bateritë e shkarkuara shkaktojnë dëme, për të cilat ne nuk mbajmë përgjegjësi. Bateritë që nuk mund të rikarikohen nuk duhet të rikarikohen.

Përdorimi i baterive dhe akumulatorëve që mund rikarikohen nuk është i lejuar.

Në rast se pajisja nuk përdoret për një periudhë të gjatë kohore, duhet ta hiqni baterinë (shihni kapitullin «Eliminimi i problemit / Ndërrimi i baterisë së butonit me valë të temperaturës»).



KUJDES Djegie

Rubineti mund të pranojë një temperaturë deri në 60 °C. Kur temperaturat e rrjedhjes janë më të mëdha se 43 °C ekziston rreziku i përvëlimit.



KUJDES Djegie

Temperatura e ujit të ngrohtë në rastin e funksionimit me ujë të ngrohur paraprakisht, p.sh. e një impianti diellor, mund të ndryshojë nga temperatura e konfiguruar e synuar.



PARALAJMËRIM Lëndimi

Pajisja mund të përdoret nga fëmijët mbi 3 vjeç si dhe nga persona me aftësi fizike, shqisore ose mendore të reduktuara ose me mungesë përvoja dhe njohurish, nëse ata mbikëqyren ose janë udhëzuar në lidhje me përdorimin e sigurt të pajisjes dhe i kanë kuptuar rreziqet që rezultojnë si rrjedhojë e kësaj. Fëmijët nuk duhet të luajnë me pajisjen. Pastrimi dhe mirëmbajtja që kryhen nga përdoruesi nuk duhen kryer nga fëmijët pa mbikëqyrje.

Në rast se fëmijët ose personat me aftësi fizike, shqisore ose mendore të kufizuara e përdorin pajisjen, ne rekomandojmë një kufizim të vazhdueshëm të temperaturës. Kufizimi mund të konfigurohet nga një specialist.



Dëmet materiale

Pajisja dhe rubineti duhen mbrojtur nga ngrica nga përdoruesi.

2.3 Shenja e kontrollit

Shihni etiketën e tipeve në pajisje.

3. Përshkrimi i pajisjes

Pajisja e ngroh ujin gjatë kohës që ai rrjedh nga pajisja. Temperaturën e rrjedhjes së ujit të ngrohtë mund ta konfiguroni pa shkallë nëpërmjet butonit të konfigurimit të temperaturës. Duke filluar nga një sasi e caktuar e rrjedhjes, sistemi i kontrollit në varësi të konfigurimit të temperaturës dhe temperaturës së ujit të ftohtë, aktivizon kapacitetin e nevojshëm ngrohës.

Në rastin e temperaturave të ulëta të furnizimit dhe në rastin e temperaturës së lartë të dëshiruar, rrjedhja ulet automatikisht nga valvula e drejtuar drejt kufizimit të rrjedhjes. Kështu sigurohet që të arrihet sa më mirë temperatura e dëshiruar. Në rastin e funksionimit me ujë të ngrohur paraprakisht në tregues shfaqet një «Error» duke filluar nga 45 °C.

Ju mund të ruani 2 temperatura të ndryshme dhe t'i aktivizoni shpejt. Funksioni ECO kufizon sasinë e rrjedhjes në rrjedhjen ECO dhe konfiguroni një temperaturë ECO të specifikuar paraprakisht. Përveç kësaj, pajisja disponon funksione për siguresën e fëmijëve, programin Wellness, sistemin automatik të sasisë së ujit si dhe mbrojtjen dinamike ndaj përvëlimit dhe kufizimin e vazhdueshëm të temperaturës. Ndrërimi i sfondit të treguesit në pajisje mund të përdoret edhe si dritë orientuese.

Sistemi i ngrohjes

Sistemi i ngrohjes me tela të zhveshur ka një shtresë plastike rezistente ndaj presionit. Sistemi i ngrohjes është përshtatur për ujëra me pak kalcium dhe me përmbajtje gëlqerore, ai është kryesisht i pandjeshëm kundrejt kalcifikimit. Sistemi i ngrohjes siguron një furnizim të shpejtë dhe efikas me ujë.

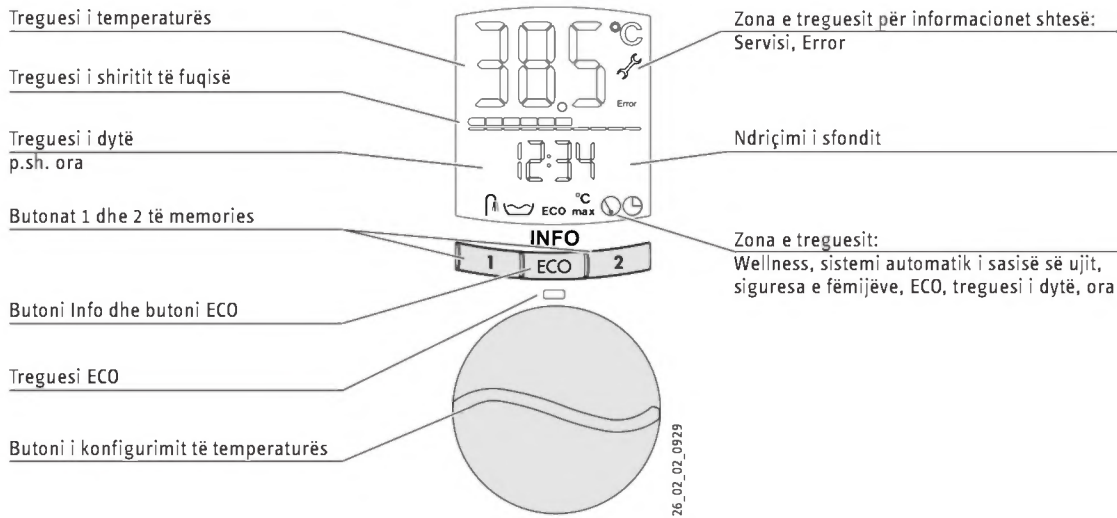


Udhëzim

Pajisja është e pajisur me një identifikues të ajrit, i cili parandalon kryesisht një dëmtim të sistemit të ngrohjes. Nëse gjatë funksionimit futet ajër në pajisje, atëherë pajisja e çaktivizon për një minutë kapacitetin ngrohës dhe në këtë mënyrë mbron sistemin e ngrohjes.

4. Cilësimet

4.1 Cilësimet dhe treguesit në pajisje



Zona e treguesit

	Wellness		Rreshti i dytë
	Sistemi automatik i sasisë së ujit		Ora
ECO	Funksionimi ECO		Drita orientuese
°C max	Siguresa e fëmijëve		

Zona e treguesit për informacionet shtesë

► Informoni specialistin, nëse shfaqen simbolet e mëposhtme:

Error	Error
	Servisi

4.1.1 Konfiguroni temperaturën

Nëpërmjet rrotullimit të butonit të konfigurimit të temperaturës mund të konfiguroni pa shkallë temperaturën e dëshiruar. Shfaqet temperatura e konfiguruar.

	Përdorimi	Treguesi
	Zgjidhni temperaturën 30-60 °C, opsioni pa shkallë i konfigurimit	p.sh. 43 °C
		OFF = Ngrohja e fikur

4.1.2 Butonat e memories

Me butonat e memories mund të nxirrni shpejt dy temperatura të ndryshme. Këto temperatura mund t'i caktoni ju.

Përdorni butonat e memories

	Konfiguroni temperaturën e dëshiruar 30-60 °C për ta ruajtur	p.sh. 38 °C.
	Shtypni për 3 sekonda butonin 1 ose butonin 2	p.sh. 38 °C dhe 43 °C Treguesi pulson një herë shkurtimisht, temperatura ruhet

Thërrisni butonat e memories

	Shtypni butonin 1 ose butonin 2	p.sh. 38 °C dhe 43 °C
--	---------------------------------	-----------------------

4.1.3 Zgjidhni / hiqni ECO

Me butonin ECO ndizet dhe fiket funksioni ECO. Nëse e keni ndezur funksionin ECO, një LED në ngjyrë të gjelbër ndriçon poshtë butonit. Gjithashtu shfaqet simboli ECO.

Funksioni ECO kufizon sasinë e rrjedhjes në rrjedhjen ECO dhe konfiguron një temperaturë ECO të specifikuar paraprakisht. Të dyja vlerat mund t'i përshtatni nëpërmjet menysë INFO.

Udhëzim

Çdo lëvizje e temperaturës në pajisje (me butonin e konfigurimit të temperaturës ose nëpërmjet butonave të memories) çon në daljen nga funksioni ECO. Atëherë duhet ta aktivizoni përsëri funksionin ECO në rast nevoje.

Në rast se keni zgjedhur temperaturën nëpërmjet butonit me valë, funksioni ECO ndizet përsëri në mënyrë të pavarur edhe pas një marrjeje.

	Shtypni butonin ECO: Zgjidhni ECO	ECO	Ndriçon drita LED jeshile.
	Shtypni butonin ECO: Hiqni ECO	ECO fikur	LED nuk ndriçon.


4.2 Cilësimet në menynë INFO

Me butonin ECO hyni në menynë INFO dhe mund të konfiguroni kështhu në mënyrë individuale funksionet komode dhe / ose të nxirrni vlerat: Konfigurimi i temperaturave ECO / sasia e rrjedhjes, siguresa e fëmijëve, programi Wellness, sistemi automatik i sasisë së ujit. Nëpërmjet butonit ECO mund të përcaktoni edhe ndriçimin e treguesit dhe dritën orientuese.


Ju i kenë opsionet e konfigurimit, nëse shtypni butonin ECO për më shumë se tre sekonda.

Më pas, nëse shtypni përsëri gjithmonë butonin ECO, arrini çdo herë në funksionin e radhës.

Nëse keni arritur funksionin e dëshiruar, atëherë mund të ndryshoni cilësimet e funksionit nëpërmjet rrotullimit të butonit të konfigurimit të temperaturës.

	Përdorimi	Treguesi
Hyrja në meny		
	Shtypni për 3 sekonda butonin ECO	ECO 38 °C



Të gjitha cilësimet në menynë INFO pranohen menjëherë.

	Përdorimi	Treguesi
Dalja nga menyja		
	Shtypni për 3 sekonda butonin ECO.	cilësimet e zgjedhura




Pas rreth 40 sekondash pa aktivizimin e një butoni dilet nga menyja INFO.

4.2.1 Funkzioni ECO

Konfiguroni temperaturën ECO

	Shtypni për 3 sekonda butonin ECO	ECO 38 °C
	Konfiguroni temperaturën, zona: 30-60 °C	p.sh. 40 °C

Konfiguroni rrjedhjen ECO

	Shtypni për 3 sekonda butonin ECO	ECO 38 °C
	Shtypni shkurtimisht butonin ECO	ECO 8.0 l/min
	Konfiguroni rrjedhjen 4-15 l/min	ECO p.sh. 6.0 l/min.

4.2.2 Konfiguroni ndriçimi kryesor të sfondit në ngjyrë blu dhe të kuqe




Treguesi në pajisje është i pajisur me një ndriçim të sfondit. Nëse konfiguroni temperaturat deri në 42,5 °C, ndriçimi i sfondit ndriçon ka ngjyrë blu, në rastin e temperaturave mbi 43,0 °C treguesi ndryshon ngjyrën në të kuqe.

Sfondi i treguesit ndriçon nëse shtypni një buton, nëse rrotulloni butonin e konfigurimit të temperaturës ose nëse uji rrjedh me një rrjedhje me më shumë se sasia e kalimit përmes pajisjes.

Nëse për 30 sekonda nuk kryhet asnjë marrje ose funksionim, ndriçimi i sfondit fiket (vetëm kur drita orientuese e zgjedhur është e fikur).




Në rastin e marrjes për më shumë se 15 minuta ndriçimi reduktohet (reduktimi vetëm në rastin e konfigurimit > 20%).

Ju mund ta përshtatni individualisht ndriçimin për ngjyrën e kuqe dhe blu në pesë shkallë.

	Shtypni për 3 sekonda butonin ECO	ECO 38 °C
	Shtypni shkurtimisht disa herë butonin ECO	blu e kuqe
	Zgjidhni ndriçimin për ngjyrat blu dhe të kuqe	100 % 20 %






4.2.3 Ndizni / fikni dritën orientuese

Ndriçimi i sfondit shërben për orientim më të mirë në ambiente të errëta. Për më tepër, mund të ndizni ndriçimin si dritë të vazhdueshme. Më pas, drita orientuese ndriçon me intensitetin e ndriçimit të konfiguruar të sfondit.

	Shtypni për 3 sekonda butonin ECO	ECO 38 °C
	Shtypni shkurtimisht disa herë butonin ECO	OFF
	Zgjidhni «OFF» / «On»	OFF: fikur On: ndezur

4.2.4 Ndizni / fikni / konfiguroni siguresën e fëmijëve

Ju mund ta ndizni pajisjen në një temperaturë maksimale.

	Shtypni për 3 sekonda butonin ECO	ECO 38 °C
	Shtypni shkurtimisht disa herë butonin ECO	°C max OFF
	Zgjidhni «OFF» / «On».	OFF: fikur On: ndezur
	Shtypni shkurtimisht butonin ECO	°C max 43 °C
	Konfiguroni temperaturën	°C max p.sh. 36 °C

PËRDORIMI

Cilësimet

4.2.5 Ndizni / fikni funksionin e komoditetit Wellness

Ju mund të konfiguroni vazhdimisht një funksion të komoditetit Wellness, që pas tre minutave të ulet kohëzgjatja e marrjes së temperaturës me 10 °C dhe pas 10 sekondave të ngrihet përsëri. Pas 10 sekondave të tjera temperatura ulet përsëri me 10 °C dhe më pas mbas 10 sekondave ngrihet përsëri. Këto ndërrime të temperaturës mbahen deri në përfundim të marrjes.

	Shtypni për 3 sekonda butonin ECO	ECO 38 °C
	Shtypni shkurtimisht disa herë butonin ECO	OFF
	Zgjidhni «OFF» / «On»	OFF: fikur On: ndezur

4.2.6 Ndizni / fikni / konfiguroni sistemin automatik të sasisë së ujit

Ju mund ta konfiguroni sistemin automatik të sasisë së ujit në mënyrë të tillë që pas një sasia të caktuar të marrjes rrjedhja të bjerë rreth 4 l/min. Në këtë mënyrë mund të ndikohet sasia e ujit dhe me të kohëzgjatja e dushit. Sistemi automatik i konfiguruar i sasisë së ujit vlen vetëm për marrjen e radhës.

	Shtypni për 3 sekonda butonin ECO.	ECO 38 °C
	Shtypni shkurtimisht disa herë butonin ECO.	OFF
	Zgjidhni «OFF» / «On»	OFF: fikur On: ndezur
	në rastin e «Cilësimit On» shtypni shkurtimisht butonin ECO	80 l
	Konfiguroni sasinë e ujit 5-200 l	p.sh. 150 l

4.2.7 Zgjidhni rreshtin e dytë në tregues

Ju mund të zgjidhni se cili informacion tjetër të shfaqet në rreshtin e dytë:

l/min Sasia e rrjedhjes

kWh Konsumi i energjisë (ju mund t'i vendosni në zero vlerat e këtij treguesi të konsumit.)

m³ Sasia e ujit (ju mund t'i vendosni në zero vlerat e këtij treguesi të konsumit.)

Ora Koha (pas ndërprerjes së rrjetit duhet ta konfiguroni nga e para orën.)

	Shtypni për 3 sekonda butonin ECO	ECO 38 °C
	Shtypni shkurtimisht disa herë butonin ECO	
	Zgjidhni vlerën e treguesit të rreshtit të dytë	treguesi i zgjedhur

Vendosni në zero treguesin e konsumit «Konsumi i energjisë dhe sasia e ujit».

	Në menyne INFO shtypni në të njëjtën kohë butonin 1 dhe butonin 2, nëse vlera përkatëse e konsumit shfaqet në tregues	0
--	---	---

4.2.8 Konfiguroni kohën

	Shtypni për 3 sekonda butonin ECO	ECO 38 °C
	Shtypni shkurtimisht disa herë butonin ECO	
	Zgjidhni orën	p.sh. 12:15 Vërejtje: Pas ndërprerjes së rrjetit konfiguroni nga e para kohën

4.2.9 Butoni me valë / kërkesa / regjistrimi / çregjistrimi

Pajisjen mund ta komandoni në distancë nëpërmjet një butoni me valë. Transmetuesi është i papërshkueshëm nga uji dhe mund të përdoret edhe kur bëni dush ose banjë. Mund të kombinohen deri në katër butona me valë. Me butonin me valë mund ta ndryshoni larg nga pajisja (p.sh. nga pjatlarësja e kuzhinës) temperaturën e pajisjes.

Butoni me valë ka katër butona (i konfiguruar fiks në 38 °C dhe 55 °C; butonin plus dhe minus për ndryshimin e temperaturës me 0,5 °C) për zgjedhjen e temperaturës. Nëse dërgohen sinjale në pajisje, ndriçon drita LED e kuqe në butonin me valë.

Në modalitetin ECO ruhet funksioni ECO për marrjen e radhës, nëse shtypni një buton të preferuar në butonin me valë. Dy minuta pas marrjes bëhet kthimi në modalitetin ECO.

Nëse pajisja është në funksionimin normal, atëherë nëpërmjet pjesës së përdorimit me valë është i mundur një konfigurim i qëndrueshëm i temperaturës.

Butoni me valë - Kërkesa në pajisje

	Shtypni për 3 sekonda butonin ECO	ECO 38 °C
	Shtypni shkurtimisht disa herë butonin ECO	rc 1-4 Numri i butonave të regjistruar me valë (rc: remote control)

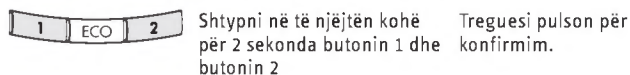
Kryeni regjistrimin e butonave me valë për pajisjen

	Shtypni për 3 sekonda butonin ECO	ECO 38 °C
	Shtypni shkurtimisht disa herë butonin ECO	rc 1
	Shtypni butonin 1: Aktivizohet faza e mësimt. Shtypni një buton të preferuar të butonave me valë.	Treguesi i shiritit punon. Pulson drita LED jeshile. rc 2 Treguesi i shiritit shuhet. Butoni me valë i identifikuar

Kryeni çregjistrimin e butonave me valë për pajisjen

	Shtypni për 3 sekonda butonin ECO	ECO 38 °C
	Shtypni shkurtimisht disa herë butonin ECO	rc 2
	në «rc» - Modaliteti, shtypni butonin 2	rc 0: Të gjithë butonat me valë të çregjistruar

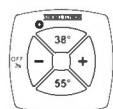
4.2.10 Rivendosja në cilësimin e fabrikës



Shtypni në të njëjtën kohë për 2 sekonda butonin 1 dhe butonin 2 Treguesi pulson për konfirmim.

Mbrojtja ndaj përvëlimit dhe butonat e mësuar me valë nuk rivendosen (për cilësimet e fabrikës shihni kapitullin «Të dhënat teknike»).

4.3 Cilësimet te butonat me valë



Shtypni 38°	38 °C
Shtypni 55°	55 °C
Shtypni +	Shtypni 1x: Vlera e synuar rritet me 0,5 °C.
Shtypni -	Shtypni 1x: Vlera e synuar ulet me 0,5 °C.

Sistemin e ngrohjes së pajisjes mund ta fikni me butonin me valë tek OFF. Për më tepër, shtypni të paktën për 3 sekonda butonin minus. Për rindezjen shtypni një buton të preferuar.

4.4 Funksione të tjera

4.4.1 Mbrojtja dinamike ndaj përvëlimit

Pajisja ka një mbrojtje dinamike ndaj përvëlimit. Përdoruesi, i cili zgjedh së pari një temperaturë në pajisje ose në një buton me valë, përcakton temperaturën për marrjen e radhës. Asnjë përdorues tjetër nuk mund ta rrisë temperaturën në 43 °C në dy minutat e ardhshme ose gjatë një marrjeje ose në dy minutat e ardhshme pas përfundimit të marrjes.

4.4.2 Mbrojtja ndaj përvëlimit

Specialisti mund të konfigurujë një kufizim të vazhdueshëm të temperaturës (shihni kapitullin «Eliminimi i defektit / Modaliteti i shërbimit ndaj klientit»). Si rrjedhojë parandalohet që uji me temperatura rrjedh nga pajisja, në të cilën mund të shkaktohen lëndime.

4.5 Rekomandimet e konfigurimit

Kurseni energji

Energjia minimale ju nevojitet për cilësimet e mëposhtme të rekomanduara nga ne:

- 38 °C për lavamanin për larjen e duarve, dushin, vaskën,
- 55 °C për lavapjatën

Rubineti me termostat

Nëse e përdorni pajisjen me një rubinet me termostat, ju rekomandojmë që ta konfiguroni temperaturën në pajisje në temperaturën maksimale (butoni i konfigurimit të temperaturës në 60 °C). Më pas, konfiguroni temperaturën e dëshiruar në rubinetin me termostat.

Pas ndërprerjes së furnizimit me ujë



Dëmet materiale

Pas ndërprerjes së furnizimit me ujë pajisja duhet vënë përsëri në punë me hapat e mëposhtëm, në mënyrë që sistemi i ngrohjes me tela të zhveshur të mos priset.

- Kaloni pajisjen pa tension, duke çaktivizuar siguresat.
- Hapni rubinetin për një minutë, derisa pajisja dhe tubacioni i furnizimit me ujë të ftohtë të lidhur paraprakisht të jenë pa ajër.
- Ndizni përsëri tensionin e rrjetit.

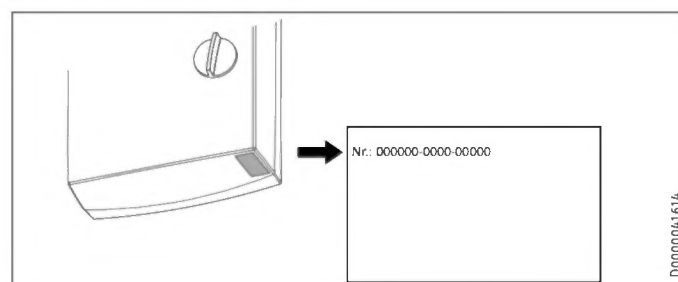
5. Pastrimi, kujdesi dhe mirëmbajtja

- Mos përdorni produkte pastrimi gërryese ose që treten. Për kujdesin dhe pastrimin e pajisjes mjafton një pecetë e lagur.
- Kontrolloni rregullisht rubinetët. Ju mund ta hiqni gëlqeren te daljet e rubinetit me zhgëlqerëzues të disponueshëm në treg.

6. Eliminimi i problemit

Problemi	Shkaku	Eliminimi
Pajisja nuk ndizet pavarësisht se valvula e ujit të ngrohtë është e hapur plotësisht.	Nuk ka tension.	Kontrolloni siguresat në instalimin e shtëpisë.
Temperatura e dëshiruar > 45 °C nuk arrihet.	Rregullatori i currilit të ujit në rubinet ose në kokën e dushit është i kalcifikuar ose i ndotur.	Pastroni dhe / ose zhgëlqerëzoni rregullatorin e currilit të ujit ose kokën e dushit.
Rrjedhja është shumë e ulët.	Furnizimi me ujë është ndërprerë.	Ajrosni pajisjen dhe tubacionin e furnizimit me ujë të ftohtë (shihni kapitullin «Cilësimet»).
Temperatura më e madhe se 43 °C nuk është e konfigurueshme.	Temperatura e furnizimit me ujë të ftohtë është > 45 °C.	Ulni temperaturën e furnizimit me ujë të ftohtë.
	Modaliteti ECO është aktivizuar dhe rrjedhja në modalitetin ECO është konfiguruar në një nga vlerat e ulëta.	Konfiguroni në rrjedhje më të lartë ECO.
	Mbrojtja dinamike ndaj përvëlimit është aktive.	Mbyllet automatikisht dy minuta pas përfundimit të furnizimit.

Nëse nuk mund ta eliminoni shkaku, thërrisni një specialist. Për ndihmë më të mirë dhe më të shpejtë jepini atij numrin e etiketës së tipeve me (000000-0000-00000).



Ndërrimi i baterisë së butonit me valë

Problemi	Shkaku	Eliminimi
Drita LED pulson në butonin me valë gjatë dhe pas procesit të dërgimit.	Bateria e butonit me valë është shkarkuar.	Ndërroni baterinë.



Dëmet materiale

► Hiqni baterinë e konsumuar.

Për dëmet nga një bateri e shkarkuar nuk mbajmë përgjegjësi.

► Hapni trupin e butonit me valë, duke liruar dy vida në anën e pasme dhe ngrini trupin.

► Ndërroni baterinë, për llojin e baterisë shihni kapitullin «Të dhënat teknike / Tabela e të dhënave».



Udhëzim

Poli plus i baterisë duhet të jetë i kthyer nga bordi i qarkut.

► Mbyllni trupin. Kushtoni vëmendje hapësirës në anë të kapakut. Nëpërmjet hapësirës përcaktohet pozicioni i duhur i kapakut dhe garantohet mbyllja hermetike e trupit.



Hidhni baterinë

Bateritë nuk duhen hedhur te mbeturinat e shtëpisë. Ndoshta bateritë e vjetra kanë lëndë dëmtuese, të cilat mund të dëmtojnë mjedisin dhe shëndetin. Bateritë e konsumuara duhen dorëzuar te shitësi ose në një pikë grumbullimi për lëndë të veçanta.

INSTALIMI

7. Siguria

Instalimi, vënia në punë si dhe mirëmbajtja dhe riparimi i pajisjes duhen kryer vetëm nga një specialist.

7.1 Udhëzimet e përgjithshme të sigurisë

Ne garantojmë një funksionim pa probleme dhe të sigurt vetëm nëse përdoren aksesore origjinale të posaçëm për pajisjen dhe pjesë këmbimi origjinale.



Dëmet materiale

Kini parasysh temperaturën maksimale të furnizimit. Kur temperaturat janë të larta, pajisja mund të dëmtohet. Me montimin e një rubineti qendror me termostat ju mund të kufizoni temperaturën maksimale të furnizimit.



PARALAJMËRIM Goditja nga energjia elektrike

Kjo pajisje përmban kondensatorë, të cilët shkarkohen pas shkëputjes nga rrjeti i energjisë elektrike. Nëse është e nevojshme, tensioni i shkarkimit të kondensatorit, mund të jetë për një kohë të shkurtër > 60 V DC.

7.2 Funksionimi i dushit



KUJDES Djegie

► Në rastin e furnizimit të një dushi konfiguroni kufizimin e brendshëm të temperaturës në 55 °C ose më pak, shihni kapitullin «Përshkrimi i pajisjes, Modaliteti i shërbimit ndaj klientit, Mbrojtja ndaj përvëlimit / Menyja e kufizimit të temperaturës».



KUJDES Djegie

Në rastin e furnizimit të pajisjes me ujë të ngrohur paraprakisht kini parasysh udhëzimin e mëposhtëm: Kufizimi i brendshëm i konfigurueshëm i temperaturës tejkalohet nëse është e nevojshme.

► Kufizoni temperaturën me një rubinet qendror me termostat të ndezur paraprakisht.

7.3 Rregulloret, standardet dhe përcaktimet



Udhëzim

Kini parasysh të gjitha rregulloret dhe përcaktimet kombëtare dhe rajonale.

- Mbrojtja IP 25 (e mbrojtur nga currili i ujit) është e garantuar vetëm nëse lidhësi i kablllos është montuar siç duhet.
- Rezistenca elektrike specifike e ujit nuk duhet të jetë më e vogël nga ajo që është dhënë në etiketën e tipeve. Në rastin e një rrjeti të lidhur me ujë duhet të merret parasysh rezistenca minimale elektrike e ujit (shihni kapitullin «Të dhënat teknike / Zona e përdorimit / Tabela e kthimit»). Rezistencën elektrike specifike ose përçueshmërinë elektrike të ujit e mësoni pranë kompanisë suaj e furnizimit me ujë.

8. Përshkrimi i pajisjes

8.1 Përmbajtja e paketimit në dorëzim

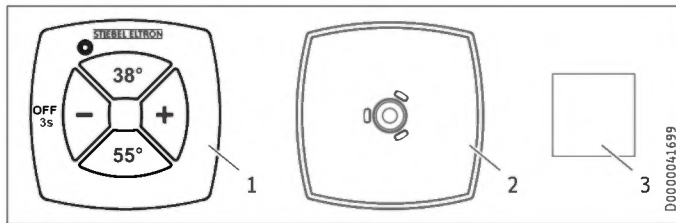
Me pajisjen dorëzohen:

- Varësja e murit
- Buloni me fileto për varësen e murit
- Shablioni i montimit
- 2 manikota dyshe (ujë i ftohtë me valvulën e bllokimit)
- Guarnicionet e sheshta
- Lidhësi i kablos (linja elektrike sipër / poshtë)
- Vidat / takot për fiksimin në murin e pasmë në lidhjen e ujit jashtë murit
- Butoni me valë Mini-FFB

Për ndërrimin e pajisjes

- 2 zgjatues për rubinet

Butoni me valë



- 1 Transmetuesi duke përfshirë baterinë
- 2 Mbajtësja në mur
- 3 Mbushja ngjitëse

9. Përgatitjet

9.1 Vendi i montimit



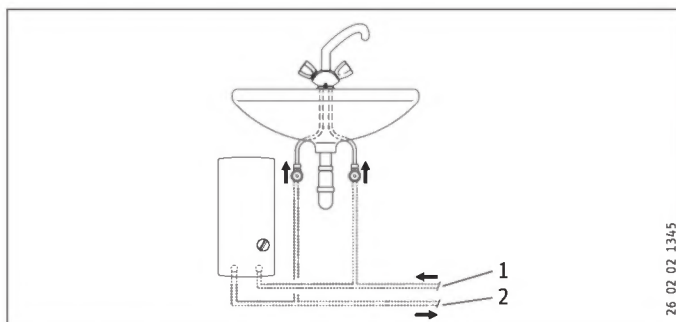
Dëmet materiale

Instalimi i pajisjes duhet kryer vetëm në një ambient pa ngricë.

- ▶ Montoni pajisjen horizontalisht dhe në afërsi të pikës së marrjes.

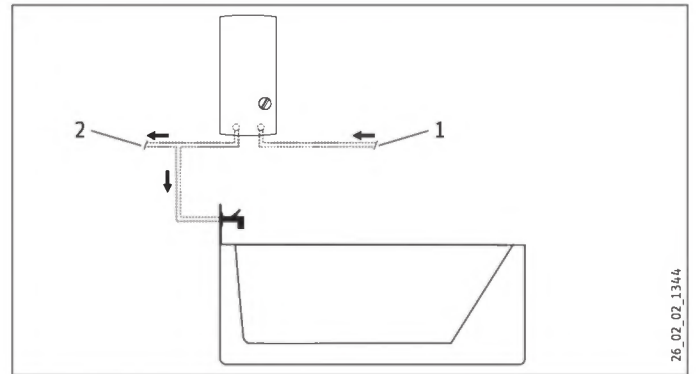
Pajisja është e përshtatshme për një montim nën dhe mbi banak.

Montimi nën banak



- 1 Furnizimi me ujë të ftohtë
- 2 Rrjedhja e ujit të ngrohtë

Montimi mbi banak



- 1 Furnizimi me ujë të ftohtë
- 2 Rrjedhja e ujit të ngrohtë



Udhëzim

▶ Montoni pajisjen në mur. Muri duhet të ketë aftësi mbajtëse të mjaftueshme.

9.2 Instalimi i ujit

- Një valvulë e sigurisë nuk është e nevojshme.
- Valvulat e sigurisë në tubacionin e ujit të ngrohtë nuk janë të lejuara.
- ▶ Shpëlani mirë tubacionin e ujit.

Rubinetët

Përdorni rubinetët e përshtatshëm të presionit. Rubinetët e hapur nuk janë të lejuar.



Udhëzim

Nuk duhet ta përdorni valvulën e bllokimit në furnizimin me ujë të ftohtë për uljen e rrjedhjes. Ajo shërben për bllokimin e pajisjes.

Lëndët e miratuara të tubacioneve të ujit

- Tubacioni i furnizimit me ujë të ftohtë: tub çeliku i galvanizuar me zjarr, tub çeliku inoks, tub bakri ose tub plastik
- Tubacioni i rrjedhjes së ujit të ngrohtë: Tub çeliku inoks, tub bakri ose tub plastik



Dëmet materiale

Gjatë përdorimit të sistemeve të tubave plastikë keni parasysh temperaturën maksimale të furnizimit dhe presionin maksimal të lejuar (shihni kapitullin «Të dhënat teknike / Tabela e të dhënave»).

Tubacionet fleksibël të lidhjes së ujit

- ▶ Në rastin e instalimit me tubacione fleksibël të lidhjes së ujit parandaloni një rrotullim të bërrylave të tubit me lidhjet bajonet në pajisje.
- ▶ Fiksioni murin e pasmë me dy vida shtesë poshtë.

10. Montimi

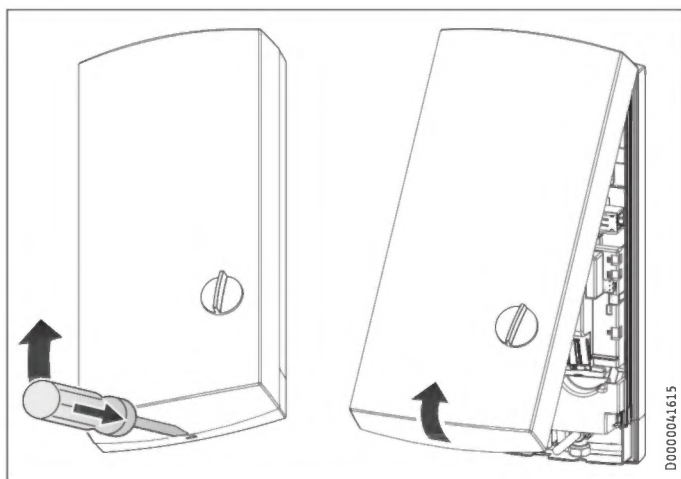
10.1 Montimi standard

- Lidhja elektrike sipër, instalimi inkaso
- Lidhja e ujit, instalimi inkaso
- lidhja elektrike e mesit e konfiguruar paraprakisht

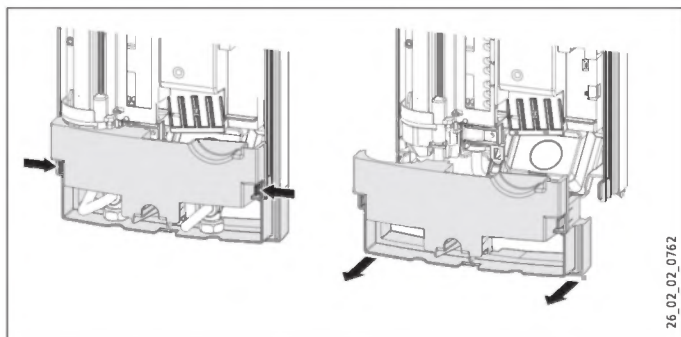
Mundësi të tjera të montimit, shihni kapitullin «Alternativat e montimit»:

- Lidhja elektrike inkaso poshtë
- Lidhja elektrike jashtë murit
- Lidhja e një releje të shkarkimit të ngarkesës
- Instalimi i ujit jashtë murit
- Lidhja e ujit inkaso në rastin e ndërrimit të pajisjes
- Funkcionimi me ujë të ngrohur paraprakisht
- Montimi i butonit me valë

Hapni pajisjen

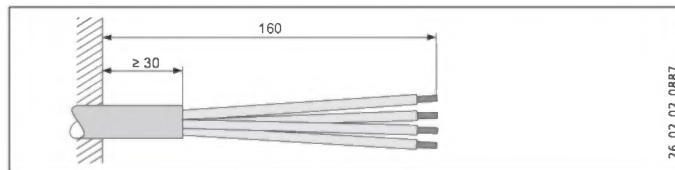


- Hapni pajisjen, duke zhbllokuar mbylljen e fiksuar.

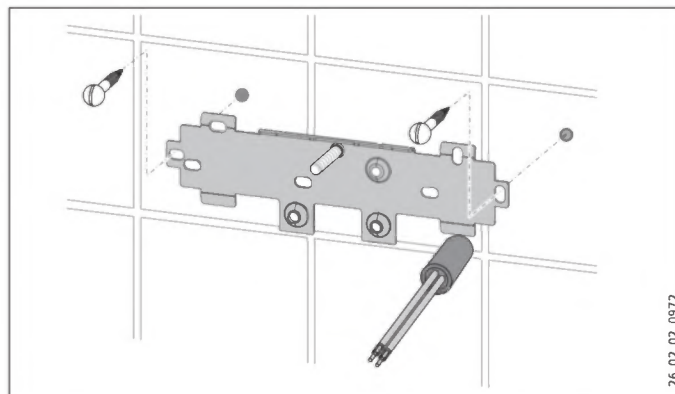


- Ndani murin e pasmë, duke shtypur të dy grepat fiksues dhe duke nxjerrë përpara pjesën e poshtme të murit të pasmë.

Përgatisni kabllon e lidhjes së rrjetit

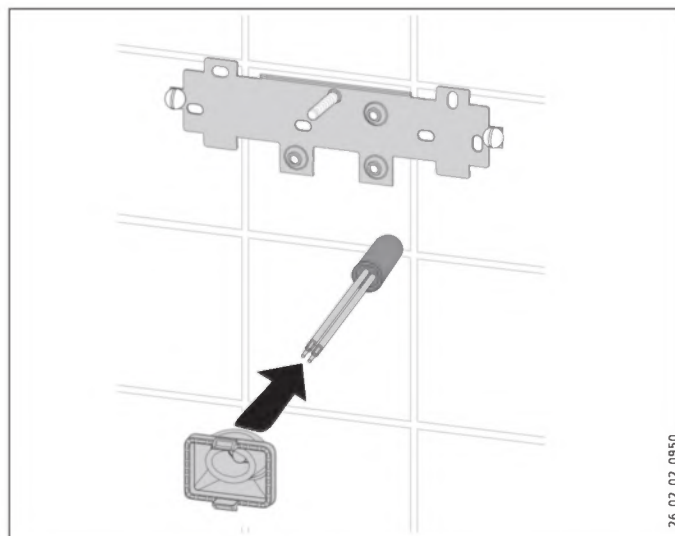


Montoni varësen në mur



- Shënoni vrimat e shpimit me shabllonin e montimit. Në rastin e montimit me lidhjet e ujit të shtrira jashtë murit, duhet të shënoni gjithashtu edhe vrimat e fiksimit në pjesën e poshtme të shabllonit.
- Shponi vrimat dhe fiksoni varësen në mur me 2 vida dhe 2 tako (vidat dhe takot nuk janë të përfshira në paketim).
- Montoni bulonin e bashkëngjitur me fileto.
- Montoni varësen e murit.

Montoni lidhësin e kabllor



- Montoni lidhësin e kabllor. Në rastin e një kabloje lidhëse > 6 mm² duhet të zmadhoni vrimën në lidhësin e kabllor.

INSTALIMI

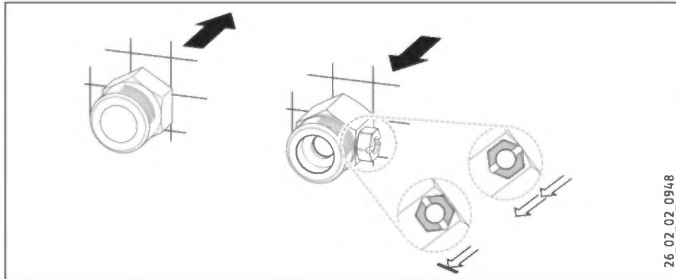
Montimi

Vendosni lidhjen e ujit



Dëmet materiale

Përfundoni të gjitha punimet e lidhjes së ujit dhe instalimit sipas rregullores.



- Izoloni dhe vidhosni manikotën dyshe.



Dëmet materiale

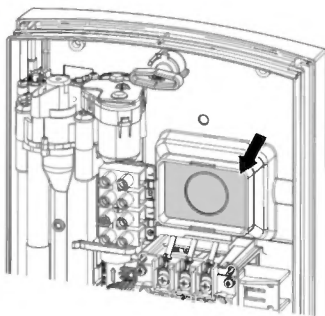
Nuk duhet ta përdorni valvulën e bllokimit në furnizimin me ujë të ftohtë për uljen e rrjedhjes.

Përgatitni murin e pasmë



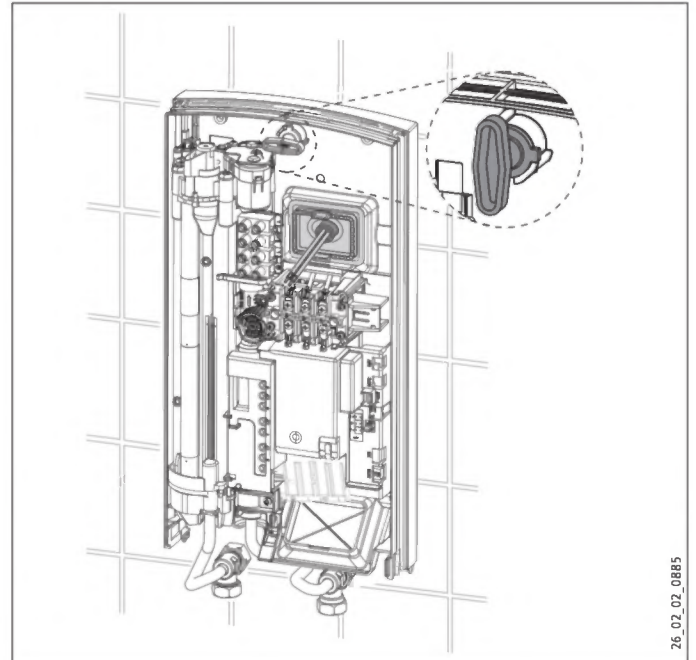
Dëmet materiale

Nëse hapni pa dashje një vrimë të gabuar në murin e pasmë, atëherë duhet të përdorni një mur të ri të pasmë.

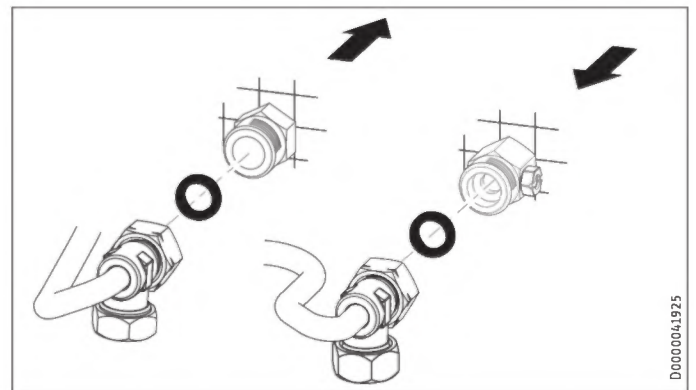


- Pastroni vendin e hapur për lidhësin e kabllot në murin e pasmë. Nëse është e nevojshme pastroni cepat e mprehtë me një limë.

Montoni pajisjen



- Vendosni murin e pasmë nëpërmjet bulonit me fileto dhe lidhësit të kabllot. Tërhiqni lidhësin e kabllot me ndihmën e një pinçe në grepat e fiksimit në murin e pasmë, derisa të dy grepat e fiksimit të fiksohen në mënyrë që të dëgjohen.
- Hiqni tapën mbrojtëse të transportit nga lidhjet e ujit.
- Ngjeshni fort murin e pasmë dhe bllokoni me çelësin e fiksimit duke e rrotulluar në të djathtë me 90°.



- Vidhosni tubat e lidhjes së ujit me guarnicione të sheshta në manikotën dyshe.



Dëmet materiale

Për funksionin e pajisjes kullesa duhet të jetë e montuar.

- Gjatë ndërrimit të pajisjes kontrolloni nëse kullesa është e disponueshme (shihni kapitullin «Mirëmbajtja»).

INSTALIMI

Montimi

Vendosni lidhjen elektrike

⚡ PARALAJMËRIM Goditja nga energjia elektrike
Bëjini të gjitha proceset e lidhjes elektrike dhe instalimit sipas rregullores.

⚡ PARALAJMËRIM Goditja nga energjia elektrike
Lidhja në rrjetin e rrymës është e lejuar vetëm si lidhje fikse në lidhje me lidhësin që mund të hiqet të kabllor. Pajisja duhet të jetë në gjendje të ndahet nga lidhja e rrjetit në të gjitha polet me një distancë ndarëse prej të paktën 3 mm.

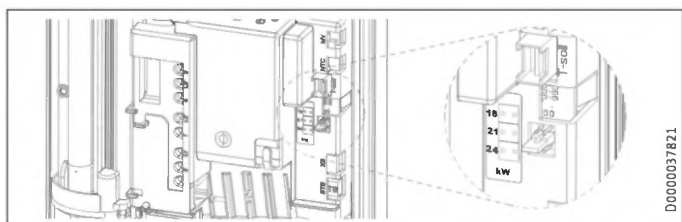
⚡ PARALAJMËRIM Goditja nga energjia elektrike
Sigurohuni që pajisja të jetë e lidhur në përcjellësin mbrojtës të tokëzimit.

! Dëmet materiale
Kini parasysh etiketën e tipeve. Tensioni i specifikuar duhet të përputhet me tensionin e rrjetit.

- ▶ Lidhni kabllon e lidhjes elektrike të kapëset e lidhjes së rrjetit (shihni kapitullin «Të dhënat teknike / Diagramet e qarkut elektrik»).

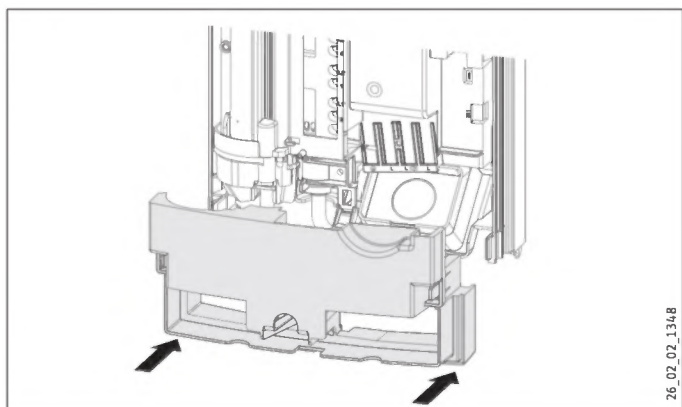
Fusni sërish spinën e kodimit

Në rastin e dorëzimit pajisja është kaluar në 21 kW. Në rastin e ndërrimit me një lidhje tjetër elektrike duhet të ndërmerrni hapat e mëposhtëm:



- ▶ Fusni përsëri spinën e kodimit në përputhje me lidhjen elektrike të zgjedhur (për lidhjen elektrike të zgjedhshme dhe sigurimin e pajisjes shihni kapitullin «Të dhënat teknike / Tabela e të dhënave»).
- ▶ Shënoni me kryq lidhjen elektrike të zgjedhur në etiketën e tipeve. Për këtë përdorni një stilolaps.

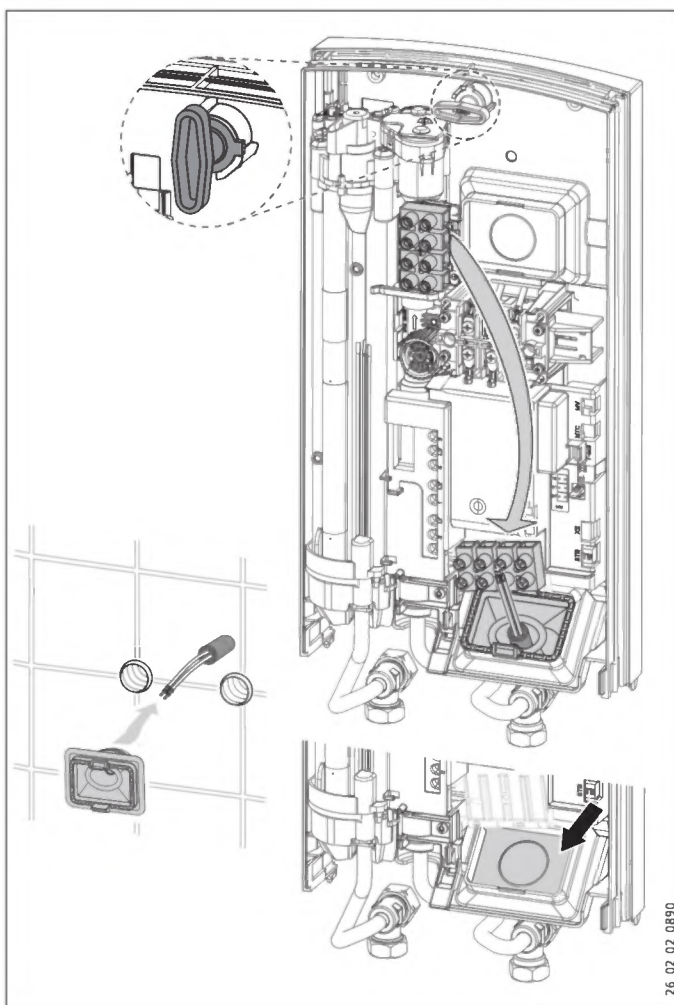
Montoni pjesën e poshtme të murit të pasmë



- ▶ Montoni pjesën e poshtme të murit të pasmë në murin e pasmë dhe fiksojeni pjesën e poshtme të murit të pasmë.
- ▶ Rregulloni pajisjen e montuar duke e liru me çelësin fiksues, duke përshtatur lidhjen elektrike dhe murin e pasmë dhe duke e vidhosur përsëri fort me çelësin e fiksimit. Nëse muri i pasmë i pajisjes nuk vendoset, atëherë mund ta fiksoni pajisjen poshtë me dy vida shtesë.

10.2 Alternativat e montimit

10.2.1 Lidhja elektrike inkaso poshtë



- ▶ Montoni lidhësin e kabllor.

! Dëmet materiale
Nëse hapni pa dashje një vrimë të gabuar në murin e pasmë, atëherë duhet të përdorni një mur të ri të pasmë.

- ▶ Pastroni vendin e hapur për lidhësin e kabllor në murin e pasmë. Nëse është e nevojshme pastroni cepat e mprehtë me një limë.
- ▶ Lëvizeni kapësen e lidhjes së rrjetit në pajisje nga lart poshtë.
- ▶ Vendosni murin e pasmë nëpërmjet bulonit me fileto dhe lidhësit të kabllor. Tërhiqni lidhësin e kabllor me ndihmën e një pinçe në grepat e fiksimit në murin e pasmë, derisa të dy grepat e fiksimit të fiksohen në mënyrë që të dëgjohen.
- ▶ Ngjeshni fort murin e pasmë dhe bllokojeni me çelësin e fiksimit duke e rrotulluar në të djathtë me 90°.

INSTALIMI

Montimi

10.2.2 Lidhja elektrike jashtë murit



Udhëzim

- Në rastin e kësaj lloj lidhjeje mbrojtja e pajisjes ndryshon.
- ▶ Ndryshoni etiketën e tipeve. Hiqini një vizë të dhënave IP 25 dhe shënoni me kryq kutizën IP 24. Për këtë përdorni një stilolaps.



Dëmet materiale

Nëse hapni pa dashje një vrimë të gabuar në murin e pasmë, atëherë duhet të përdorni një mur të ri të pasmë.

- ▶ Prisni ose shkëputni me kujdes kalimin që nevojitet në murin e pasmë (për pozicionet shihni kapitullin «Të dhënat teknike / Përmasat dhe lidhjet»). Nëse është e nevojshme pastroni cepat e mprehtë me një limë.
- ▶ Kaloni kabllon e lidhjes elektrike përmes lidhësit të kabllos dhe lidheni atë me kapësen e lidhjes së rrjetit.

10.2.3 Lidhja e një releje të shkarkimit të ngarkesës

Përdorni një rele të shkarkimit të ngarkesës në kombinim me pajisje të tjera elektrike, p.sh. pajisje elektrike që e ruajnë nxehtësinë, në shpërndarjen elektrike. Shkarkimi i ngarkesës bëhet në rastin e funksionimit të nxehtësit të rrjedhjes.



Dëmet materiale

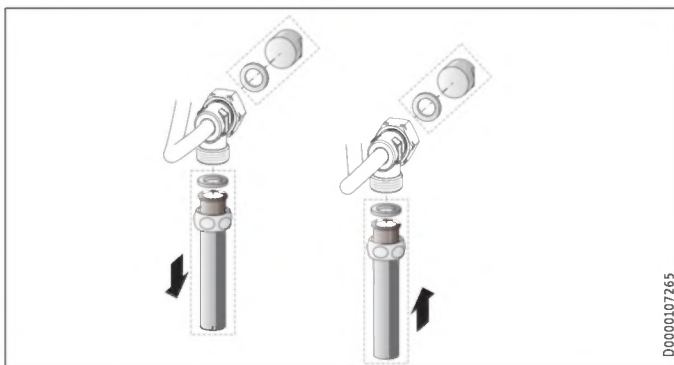
Lidhni fazën që stakon relenë e shkarkimit të ngarkesës, me kapësen e identifikuar të lidhjes së rrjetit në pajisje (shihni kapitullin «Të dhënat teknike / Diagramet e qarkut elektrik»).

10.2.4 Instalimi i ujit jashtë murit

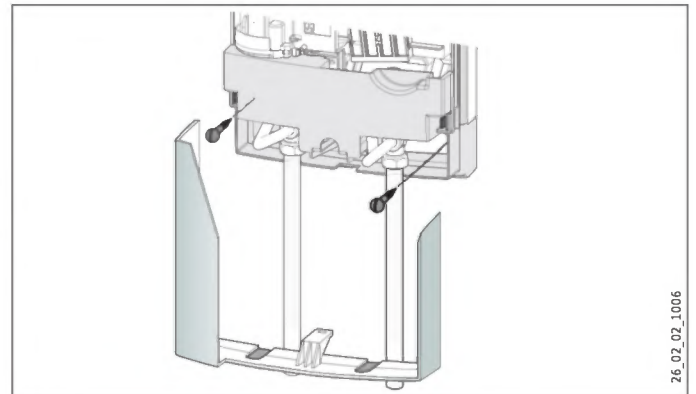


Udhëzim

- Në rastin e kësaj lloj lidhjeje mbrojtja e pajisjes ndryshon.
- ▶ Ndryshoni etiketën e tipeve. Hiqini një vizë të dhënave IP 25 dhe shënoni me kryq kutizën IP 24. Për këtë përdorni një stilolaps.



- ▶ Montoni tapën e ujit me guarnicionet, për të mbyllur lidhjen inkaso.
- ▶ Montoni një rubinet të përshtatshëm të presionit.



- ▶ Fiksioni murin e pasmë me dy vida shtesë poshtë.
- ▶ Shtyni pjesën e poshtme të murit të pasmë poshtë tubave të lidhjes së rubinetit dhe fiksojeni pjesën e poshtme të murit të pasmë.
- ▶ Vidhosni tubat e lidhjes me pajisjen.



Dëmet materiale

Nëse hapni pa dashje një vrimë të gabuar në kapakun e pajisjes, atëherë duhet të përdorni një kapak të ri të pajisjes.

- ▶ Shkëputni me kujdes kalimet në kapakun e pajisjes. Nëse është e nevojshme pastroni cepat e mprehtë me një limë.

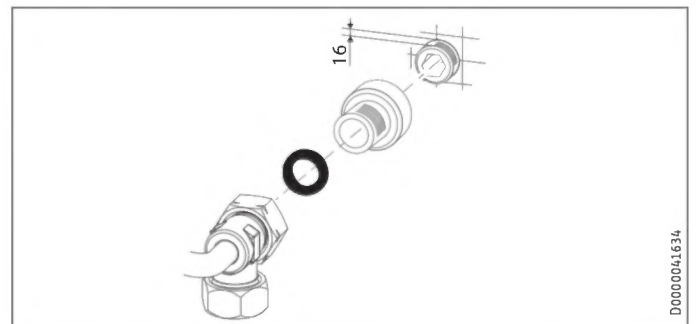
10.2.5 Instalimi i ujit inkaso në rastin e ndërrimit të pajisjes

Në rast se manikota e disponueshme dyshe e pajisjes së vjetër del nga muri vetëm rreth 16 mm, atëherë nuk mund ta përdorni më manikotën dyshe të lëvruar.



Udhëzim

Në rastin e kësaj lidhjeje, bllokimi i furnizimit me ujë të ftohtë është i mundur vetëm në instalimin e shtëpisë.



- ▶ Izoloni dhe vidhosni zgjatuesit e bashkëngjitur të rubinetit.
- ▶ Lidhni pajisjen.

10.2.6 Funksionimi me ujë të ngrohur paraprakisht

Me montimin e një rubineti qendror me termostat kufizohet temperatura maksimale e furnizimit. Për përdorimin në funksionimin e dushit duhet kryer konfigurimi në rubinet me maks. 55 °C.

10.3 Përfundoni montimin

- ▶ Hapni valvulën e bllokimit në manikotën dyshe ose në furnizimin e ujit të ftohtë.

10.4 Montimi i butonit me valë

Ju mund ta fiksoni në mur transmuesin me ndihmë të mbajtëses në mur.

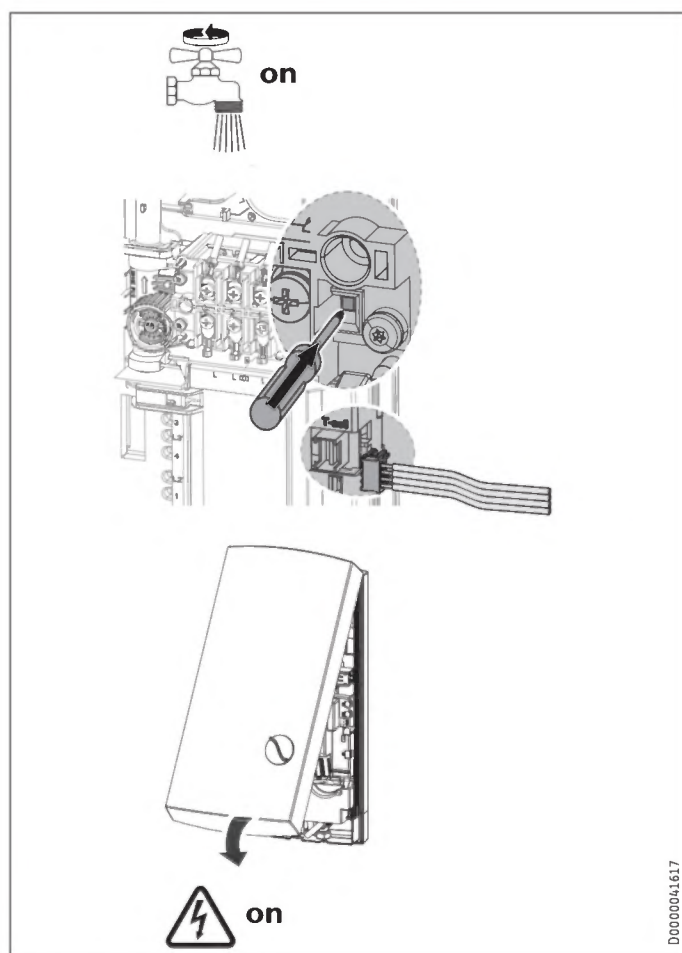
- ▶ Fiksoni mbajtësen në mur me mbushjen ngjitëse të bashkëngjitur ose një vidë të përshtatshme me kokë të ulur (Ø 3 mm ose më e vogël) në mur.

11. Vënia në punë



PARALAJMËRIM Goditja nga energjia elektrike
Vënia në punë duhet të kryhet vetëm nga një specialist duke pasur parasysh rregulloret e sigurisë.

11.1 Vënia në punë për herë të parë



- ▶ Hapni dhe mbyllni disa herë të gjitha valvulat e lidhura të marrjes, derisa rrjeti i tubacionit dhe pajisja të jenë pa ajër.
- ▶ Kryeni një kontroll të dendësisë.
- ▶ Aktivizoni kufizuesin e presionit të sigurisë, duke shtypur fort butonin e rivendosjes (pajisja dorëzohet me kufizuesin e çaktivizuar të presionit të sigurisë).
- ▶ Fusni spinën e kabllës së konfiguruesit të temperaturës në sistemin elektronik.
- ▶ Montoni kapakun e pajisjes, derisa ajo të fiksohet në mënyrë që të dëgjohet. Kontrolloni ulësen e kapakut të pajisjes.
- ▶ Ndizni tensionin e rrjetit.
- ▶ Kontrolloni mënyrën e punës së pajisjes.

Butoni me valë Mini-FFB

Butoni me valë është i regjistruar nga fabrika në pajisje. Nëse nuk kryhet asnjë transmetim i të dhënave gjatë vënies në punë, kryeni procesin e mësimit si më poshtë:

- ▶ Kaloni me butonin ECO në funksionin e komoditetit «Butoni me valë (rc)»
- ▶ Shtypni butonin 1 të memories në pajisje (aktivizohet faza e mësimit, treguesi i shiritit në ekran punon).
- ▶ Më pas, shtypni një buton te butonat me valë.

Mbrojtja ndaj përvëlimit / Kufizimi i temperaturës

Një kufizim të dëshiruar të temperaturës mund ta konfiguroni në modalitetin e shërbimit ndaj klientit në zonën prej 31-60 °C.

Dorëzimi i pajisjes

- ▶ Shpjegojini përdoruesit funksionin e pajisjes dhe familjarizojeni atë me përdorimin e pajisjes.
- ▶ Udhëzoheni përdoruesin për rreziqet e mundshme, veçanërisht rrezikun e përvëlimit.
- ▶ Dorëzojini këtë manual.

11.2 Rivënia në punë

Ajrosni pajisjen dhe tubacionin e furnizimit me ujë të ftohtë (shihni kapitullin «Cilësimet»).

Shihni kapitullin «Vënia në punë për herë të parë».

12. Dalja jashtë përdorimit

- ▶ Shkëputni pajisjen në të gjitha polet nga lidhja e rrjetit.
- ▶ Zbrazi pajisjen (shihni kapitullin «Mirëmbajtja»).

13. Eliminimi i defektit



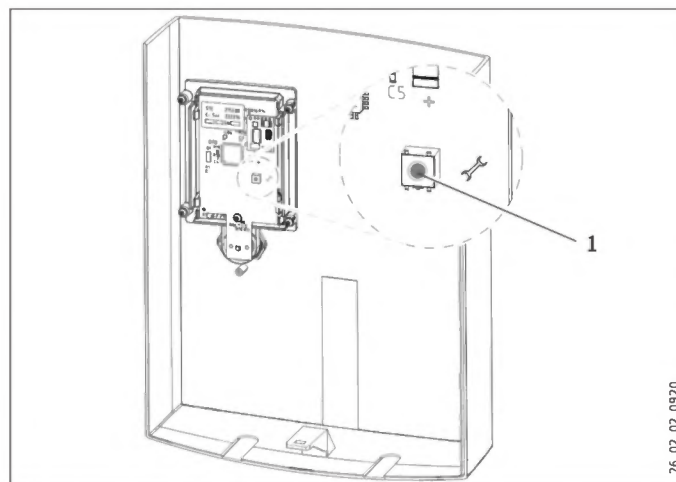
PARALAJMËRIM Goditja nga energjia elektrike Për të kontrolluar pajisjen, duhet që tensioni i rrjetit të jetë lidhur në pajisje.

Defekti	Shkaku	Eliminimi
Rrjedhja është shumë e ulët.	Kulesa dhe / ose rregullatori i currillit të ujit janë ndotur	Pastroni kulesën dhe / ose rregullatorin e currillit të ujit.
	Valvula e motorit është me defekt.	Kontrolloni valvulën e motorit. Nëse është e nevojshme, ndërrojeni.
treguesi i vazhdueshëm Error në pjesën e përdorimit	Sensori / sistemi elektronik është me defekt.	Analizoni më tej gabimin në modalitetin e shërbimit ndaj klientit (shihni kapitullin «Modaliteti i shërbimit ndaj klientit»).
	Komunikimi midis pjesës së përdorimit dhe kontrollit është prishur.	Kontrolloni pjesën e përdorimit dhe kabllon e lidhjes.
Ndriçimi i sfondit në pjesën e përdorimit është komplet i fukur.	Nuk ka tension të rrjetit	Kontrolloni siguresat në instalimin e shtëpisë.
	Kabloja e lirë e lidhjes për pjesën e përdorimit	Mbërtheni kabllon e lidhjes.
	Kufizuesi i presionit të sigurisë është aktivizuar.	Eliminoni shkakun. Hapni një valvul të marrjes me stakim të mëvonshëm për 1 minutë. Si rrjedhojë, sistemi i ngrohjes lirohet nga presioni dhe ftohet dhe mbrohet nga mbixehja. Aktivizoni kufizuesin e presionit të sigurisë në rastin e presionit të rrjedhjes, për më tepër shtypni butonin e rivendosjes.
	Sistemi elektronik është me defekt.	Kontrolloni sistemin elektronik, nëse është e nevojshme ndërtoni sistemin elektronik.
Ngrohja nuk ndizet / nuk ka ujë të ngrohtë.	Sistemi i ngrohjes është me defekt.	Kontrolloni sistemin e ngrohjes, nëse është e nevojshme ndërrojeni atë.
	Regjistruesi i rrjedhjes është me defekt ose nuk është futur.	Kontrolloni lidhjen. Kontrolloni matjen e rrjedhjes në modalitetin e shërbimit ndaj klientit.
	Kufizuesi i temperaturës së sigurisë është çaktivizuar ose është ndërprerë.	Eliminoni shkakun. Aktivizoni kufizuesin e temperaturës së sigurisë, nëse është e nevojshme ndërtoni kufizuesin e temperaturës së sigurisë.
Treguesi Error shfaqet vetëm nëse merret ujë.	Dështimi i një faze	Kontrolloni siguresat në instalimin e shtëpisë.
	Temperatura e furnizimit > 45 °C.	Shihni kapitullin «Instalimi i ujit», nëse është e nevojshme, kufizoni temperaturën e furnizimit.
Ujë i ftohtë për një kohë të shkurtër.	Funksioni Wellness aktiv.	Çaktivizoni funksionin Wellness.
	Ndërprerja e shkurtër e rrjedhjes	Pajisja vihet përsëri automatikisht në punë, nëse është përsëri e disponueshme një rrjedhje e mjaftueshme.
	Bëhet identifikimi i ajrit (ujë i ftohtë për rreth 1 min).	Pajisja vihet përsëri automatikisht në punë pas vonesës.

13.1 Modaliteti i shërbimit ndaj klientit

Aktivizoni / çaktivizoni modalitetin e shërbimit ndaj klientit me butonin SERVICE në anën e pasme të fushës së përdorimit (lidhja me «T-soll» duhet të jetë e disponueshme). Me butonin ECO (shihni kapitullin «Cilësimet / Cilësimi në menynë INFO») kaloni më tej në pikën tjetër të menysë.

Në nënmenynë përkatëse shfletoni duke rrotulluar butonin e konfigurimit të temperaturës.



1 Butoni SERVICE

13.1.1 Menyja Error

Kjo meny ju shfaqet vetëm nëse ekziston një gabim.

Kodi	Kuptimi
E1, ELEC	Struktura e sistemit elektronik është me defekt. Ndërroni strukturën e sistemit elektronik.
E 3, ntc	Kontrolloni lidhjen elektrike për sensorin e rrjedhjes. Nëse është e nevojshme, ndërrojeni atë.
E 4, mot	Kontrolloni lidhjen elektrike për valvulën e motorit. Nëse është e nevojshme, ndërrojeni.

13.1.2 Menyja e kontrollit

Kodi	Kuptimi
C 1, 36.5 °C	Treguesi i temperaturës aktuale të furnizimit. Nëse sensorin e ujit të ftohtë është me defekt, shfaqet një temperaturë prej 1,0 °C.
C 2, 47.5 °C	Treguesi i temperaturës aktuale të rrjedhjes. Nëse sensorin e rrjedhjes është me defekt, shfaqet një temperaturë prej 65,0 °C.
C 3, 6,8 l/min	Treguesi i sasisë aktuale të rrjedhjes.
C 4, 21.5 kW	Treguesi i regjistrimit të fuqisë aktuale.

13.1.3 Menyja e të dhënave

Kodi	Kuptimi
d 1, 8042	Service-Code për shërbimin ndaj klientit
d 2, 2341	Koha në ditë, në të cilën pajisja është e lidhur me rrjetin e energjisë elektrike.
d 3, 172 h	Kohëzgjatja e ngrohjes në orë.
d 4, 24 kW	fuqia maksimale në kW: Kjo fuqi mund të ndryshojë nga fuqia nominale, p.sh. në rastin kur tensionet e rrjetit janë të pabarabarta me 400 V.

13.1.4 Mbrojtja ndaj përvëlimit / menyja e kufizimit të temperaturës

Kodi	Kuptimi
OFF	Mbrojtja ndaj përvëlimit / Kufizimi i temperaturës i çaktivizuar.
On	Mbrojtja ndaj përvëlimit / Kufizimi i temperaturës i aktivizuar.
31-60 °C	Vlera maksimale që mund të zgjidhet në pajisje në cilësimin ON

Cilësimet e fabrikës (shihni kapitullin «Të dhënat teknike»). Pas largimit nga modaliteti i shërbimit ndaj klientit nuk mund ta ndryshoni me asnjë veprim temperaturën maksimale të konfiguruar nëpërmjet fushës së përdorimit.



KUJDES Djegie

Në rastin e funksionimit me ujë të ngrohur paraprakisht, kufizimi i konfiguruar i temperaturës ose mbrojtja ndaj përvëlimit mund të jetë pa ndikim. Në këtë rast kufizoni temperaturën në një rubinet qendror me termostat të ndezur paraprakisht.

14. Mirëmbajtja



PARALAJMËRIM Goditja nga energjia elektrike

Në rastin e të gjitha punimeve shkëputni pajisjen në të gjitha polet nga lidhja e rrjetit.

Zbrazni pajisjen

Ju mund ta zbrazni pajisjen për punimet e mirëmbajtjes.

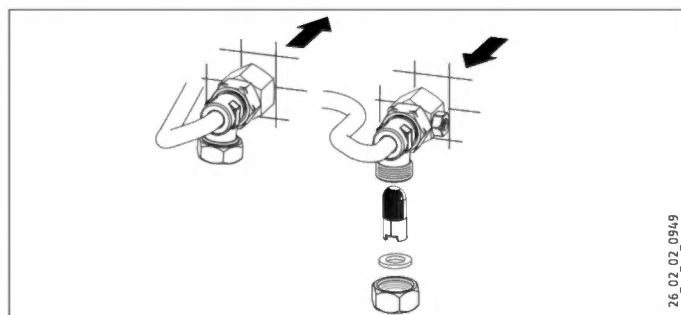


PARALAJMËRIMI Djegia

Gjatë zbrazjes së pajisjes mund të dalë ujë i nxehtë.

- ▶ Mbyllni valvulën e bllokimit në manikotën dyshe ose në furnizimin e ujit të ftohtë.
- ▶ Hapni të gjitha valvulat e marrjes.
- ▶ Lironi lidhjet e ujit nga pajisja.
- ▶ Ruani një pajisje të çmontuar pa ngrica, sepse ka ujë të mbetur në pajisje, i cili mund të shkaktojë ngrirje dhe dëme.

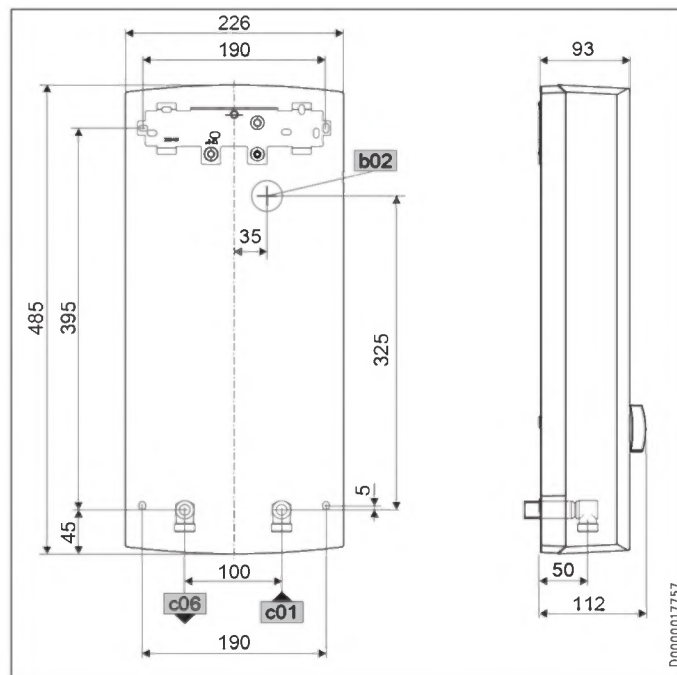
Pastroni kulesën



Në rastin e papastërtive pastroni kulesën në lidhjen e vidhosur të ujit të ftohtë. Mbyllni valvulën e bllokimit në tubacionin e furnizimit me ujë të ftohtë, përpara se ta çmontoni, ta pastroni dhe ta montoni përsëri kulesën.

15. Të dhënat teknike

15.1 Përmasat dhe lidhjet



b02 Kalimi i linjave elektrike I

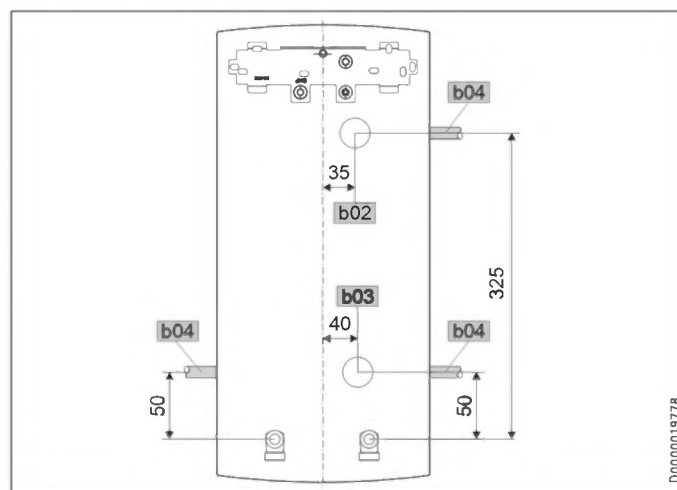
c01 Furnizimi me ujë të ftohtë

c06 Rrjedhja e ujit të ngrohtë

Fileto e jashtme G 1/2 A

Fileto e jashtme G 1/2 A

Mundësitë alternative të lidhjes



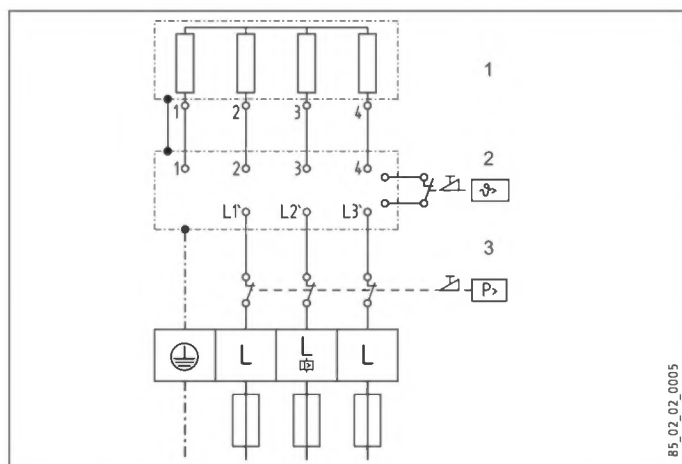
b02 Kalimi i linjave elektrike I

b03 Kalimi i linjave elektrike II

b04 Kalimi i linjave elektrike III

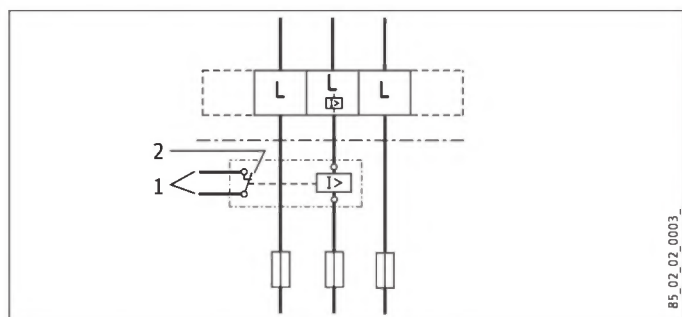
15.2 Diagramet e qarkut elektrik

3/PE ~ 380-415 V



- 1 Ngrohja
- 2 Kufizuesi i temperaturës së sigurisë
- 3 Kufizuesi i presionit të sigurisë

Ndezja me përparësi LR 1-A



- 1 Linja e sistemit të komandimit për mbrojtjen nga ndezja e pajisjes 2. (p.sh. pajisja elektrike që e ruan nxehtësinë).
- 2 Kontakti i sistemit të komandimit hapet gjatë ndezjes së nxehtësit të rrjedhjes.

15.3 Cilësimet nga fabrika

Wellness		OFF
Sistemi automatik i sasisë së ujit		OFF / 80 l
ECO	ECO	38 °C / 8 l/min
Siguresa e fëmijëve		OFF / 43.0°C
Rreshti i dytë i treguesit		l/min
Drita orientuese		OFF
Ndriçimi i sfondit	Blu/e kuqe	100 %

15.4 Fuqia e ujit të ngrohtë

Fuqia e ujit të ngrohtë varet nga tensioni i lidhur i rrjetit, nga lidhja elektrike e pajisjes dhe nga temperatura e furnizimit me ujë të ftohtë. Tensionin nominal dhe fuqinë nominale e merrni nga etiketa e tipeve (shihni kapitullin «Eliminimi i problemit»).

Lidhja elektrike në kW	Fuqia e ujit të ngrohtë 38 °C në L/min.						
	Tensioni nominal			Temperatura e furnizimit me ujë të ftohtë			
	380 V	400 V	415 V	5 °C	10 °C	15 °C	20 °C
16,2				7,0	8,3	10,1	12,9
19				8,2	9,7	11,8	15,1
21,7				9,4	11,1	13,5	17,2
		18		7,8	9,2	11,2	14,3
		21		9,1	10,7	13,0	16,7
		24		10,4	12,2	14,9	19,0
			19,4	8,4	9,9	12,0	15,4
			22,6	9,8	11,5	14,0	17,9
			25,8	11,2	13,2	16,0	20,5

Lidhja elektrike në kW	Fuqia e ujit të ngrohtë 50 °C në L/min.						
	Tensioni nominal			Temperatura e furnizimit me ujë të ftohtë			
	380 V	400 V	415 V	5 °C	10 °C	15 °C	20 °C
16,2				5,1	5,8	6,6	7,7
19				6,0	6,8	7,8	9,0
21,7				6,9	7,8	8,9	10,3
		18		5,7	6,4	7,3	8,6
		21		6,7	7,5	8,6	10,0
		24		7,6	8,6	9,8	11,4
			19,4	6,2	6,9	7,9	9,2
			22,6	7,2	8,1	9,2	10,8
			25,8	8,2	9,2	10,5	12,3

15.5 Zonat e përdorimit / tabela e kthimit

Rezistenca elektrike specifike dhe përçueshmëria elektrike specifike (shihni kapitullin «Tabela e të dhënave»).

Të dhënat e standardit në 15 °C		20 °C		25 °C	
Rezistenca	Përçueshmëria	Rezistenca	Përçueshmëria	Rezistenca	Përçueshmëria
$\rho \geq$	$\sigma \leq$	$\rho \geq$	$\sigma \leq$	$\rho \geq$	$\sigma \leq$
$\Omega \text{ cm}$	mS/m	$\mu\text{S/cm}$	$\Omega \text{ cm}$	mS/m	$\mu\text{S/cm}$
900	111	1111	800	125	1250
735	136	1361	890	112	1124
815	123	1227			

15.6 Humbjet e presionit

Rubinetët

Humbja e presionit të rubinetave kur rryma e vëllimit është 10 L/min

Përzierës me një levë, rreth	MPa	0,04 - 0,08
Rubineti me termostat, rreth	MPa	0,03 - 0,05
Kullësia e dorës, rreth	MPa	0,03 - 0,15

Dimensionimet e rrjetit të tubave

Për llogaritjen e dimensionimeve të rrjetit të tubave për pajisjen rekomandohet një humbje e presionit prej 0,1 MPa.

15.7 Kushtet në rast defekti

Në rast defekti, në instalimin e ngarkesave me afat të shkurtër prej maksimumi 95 °C mund të shfaqet një presion prej 1,2 MPa.

15.8 Të dhënat për konsumin e energjisë

Fleta e të dhënave të produktit: Përgatitësi konvencional i ujit të ngrohtë sipas rregullores (BE) numër 812/2013 | 814/2013

		PER 18/21/24
		233990
Prodhuesi		STIEBEL ELTRON
Profili i ngarkesës		S
Klasa e efikasitetit të energjisë		A
Shkalla energjetike e ndikimit	%	39
Konsumi vjetor i energjisë elektrike	kWh	478
Konfigurimi i temperaturës që nga fabrika	°C	60
Niveli i fuqisë së tingullit	dB(A)	15
Udhëzime të veçanta për matjen e efijencës		Të dhënat në Pmaks.
Konsumi ditor i energjisë elektrike	kWh	2,199

15.9 Tabelat e të dhënave

		PER 18/21/24
		233990
Të dhënat elektrike		
Tensioni nominal	V	380 400 415
Fuqia nominale	kW	16,2/19/21,7 18/21/24 19,4/22,6/25,8
Rryma nominale	A	27,6/29,5/33,3 29/31/35 30,1/32,2/36,3
Sigurimi	A	32/32/35 32/32/35 32/32/40
Frekuenca	Hz	50/60 50/60 50/-
Fazat		3/PE
Impedanca maks. e rrjetit në 50Hz	Ω	0,284 0,270 0,260
Përçueshmëria specifike $\sigma_{15} \leq$ (në 0e ftohtë $\leq 25^{\circ}\text{C}$)	$\mu\text{S}/\text{cm}$	1111 1111 1000
Rezistenca specifike $\rho_{15} \geq$ (në 0e ftohtë $\leq 25^{\circ}\text{C}$)	Ω cm	900 900 1000
Rezistenca specifike $\rho_{15} \geq$ (në 0e ftohtë $\leq 45^{\circ}\text{C}$)	Ω cm	1200 1200 1300
Përçueshmëria specifike $\sigma_{15} \leq$ (në 0e ftohtë $\leq 45^{\circ}\text{C}$)	$\mu\text{S}/\text{cm}$	830 830 770
Lidhjet		
Lidhja e ujit		G 1/2 A
Kufijtë e përdorimit		
Presioni maks. i lejuar	MPa	1
Temperatura maksimale e furnizimit për ngrohjen e mëvonshme	°C	45
Vlerat		
Temperatura maks. e lejuar e furnizimit	°C	60
Ndezur	l/min	> 2,5
Humbja e presionit në rrymën e vëllimit	MPa	0,08/0,1/0,13
Rryma e vëllimit për humbjen e presionit	l/min	5,2/6,0/6,9
Ofrimi i ujit të ngrohtë	l/min	9,4/11,0/12,6
$\Delta\theta$ gjatë dhënies	K	26
Të dhënat e sistemit hidraulik		
Përmbajtja nominale	l	0,4
Versionet		
Lidhja elektrike që mund të zgjidhet		X
Konfigurimi i temperaturës	°C	30-60
Blok izolues		Plastikë
Sistemi i ngrohjes së gjeneruesit të ngrohtësisë		Tel i zhveshur
Kapaku dhe muri i pasmë		Plastikë
Ngjyra		e bardhë
Mbrojtja (IP)		IP25
Dimensionet		
Gjatësia	mm	485
Gjerësia	mm	226
Thellësia	mm	93
Peshat		
Pesha	kg	3,8



Udhëzim

Pajisja përputhet me IEC 61000-3-12.

Të dhënat teknike

		Mini-FFB
Përmasat (H/B/T) pa mbajtës në mur	mm	50/50/17
Frekuenca e valëve	MHz	868,3
Autonomia në ndërtesë duke përfshirë një tavan të katit	m	rreth 25
Zona e konfigurimit të temperaturës	°C	30-60
Mbrojtja sipas EN 60529	Dushi Vaska	IP X5 IP X7
Bateria e tipit		1 x CR 2032

Garancia

Për pajisjet e blera jashtë Gjermanisë, kushtet e garancisë nuk vlejnë për kompanitë tona gjermane. Për më tepër, në vendet ku një nga filialet tona shet produktet tona, mund të jepet një garanci vetëm nga ai filial. Një garanci e tillë jepet vetëm nëse filiali ka dorëzuar kushtet individuale të garancisë. Përveç këtij rasti, nuk jepet garanci.

Për pajisjet që blihen në vende ku asnjë nga filialet tona nuk shet asnjë produkt tonin, ne nuk japim garanci. Garancitë e mundshme të siguruara nga importuesi mbeten këtu të paprekura.

Mjedisi dhe riciklimi

Ju lutemi, ndihmoni për të mbrojtur mjedisin. Hidhni materiallet pas përdorimit sipas rregulloreve kombëtare.

ПОСЕБНИ СОВЕТИ

РАКУВАЊЕ

1. Општи совети	79
1.1 Безбедносни совети	79
1.2 Другите ознаки во оваа документација	79
1.3 Мерни единици	80
2. Безбедност	80
2.1 Прописна примена	80
2.2 Општи безбедносни совети	80
2.3 Ознака за испитување	80
3. Опис на уредот	80
4. Поставки	81
4.1 Нагодувања и индикатори на уредот	81
4.2 Нагодувања во менито INFO	82
4.3 Нагодувања на радиотастерот	84
4.4 Други функции	84
4.5 Препораки за регулирање	84
5. Чистење, нега и одржување	84
6. Отстранување проблеми	84

ИНСТАЛАЦИЈА

7. Безбедност	85
7.1 Општи безбедносни совети	85
7.2 Туширање	85
7.3 Прописи, стандарди и одредби	85
8. Опис на уредот	86
8.1 Опсег на испорака	86
9. Подготовки	86
9.1 Место на монтажа	86
9.2 Водоводна инсталација	86
10. Монтажа	87
10.1 Стандардна монтажа	87
10.2 Алтернативна монтажа	90
10.3 Завршување на монтажата	91
10.4 Монтажа на радиотастер	91
11. Пуштање во работа	91
11.1 Прво пуштање во работа	91
11.2 Повторно пуштање во работа	92
12. Исклучување од работа	92
13. Отстранување пречки	92
13.1 Режим на службата за односи со корисниците	93
14. Одржување	93
15. Технички податоци	94
15.1 Димензии и приклучоци	94
15.2 Шематски дијаграми	94
15.3 Фабрички нагодувања	95
15.4 Капацитет на топла вода	95
15.5 Подрачје на примена / Табела за конверзија	95
15.6 Загуби на притисок	95
15.7 Услови на пречки	95
15.8 Податоци за потрошувачката на енергија	95
15.9 Табели со податоци	96

ГАРАНЦИЈА

ЖИВОТНА СРЕДИНА И РЕЦИКЛИРАЊЕ

ПОСЕБНИ СОВЕТИ

- Децата над 3 години, како и лицата со ограничени телесни, сетилни или ментални способности или без доволно искуство и знаење може да го користат уредот под надзор или доколку бидат упатени во безбедното ракување и ги разбираат опасностите коишто произлегуваат оттаму. Децата не смеат да си играат со апаратот. Децата не смеат да го чистат или да спроведуваат корисничко одржување без надзор.
- Арматурата може да се загрее до температура од 60 °C. При истечни температури поголеми од 43 °C постои опасност од попарување.
- Уредот е погоден за снабдување туш (туширање). Ако уредот се користи и за или исклучиво за туширање, стручен техничар мора да го активира подрачјето за дефинирање на температурата над ограничувањето на температурата (55 °C или помалку) во уредот. При користење претходно загреана вода не смее да се надмине приливна температура од 55 °C.
- Уредот мора да може да се одвојува од мрежниот приклучок преку разделна патека од минимум 3 mm, во сите полови.
- Наведениот напон мора да одговара на напонот на мрежата.
- Уредот мора да се приклучи на заштитен вод.
- Уредот мора постојано да биде приклучен на фиксно ожичување.
- Прицврстете го уредот како што е опишано во поглавјето „Инсталација / Монтажа“.
- Придржувајте се кон максималниот дозволен притисок (види поглавја „Инсталација / Технички податоци / Табела со податоци“).

- Специфичниот отпор на водата на мрежата за водоснабдување не смее да биде под минималното ниво (види поглавја „Инсталација / Технички податоци / Табела со податоци“).
- Испразнете го уредот како што е опишано во поглавјето „Инсталација / Одржување / Празнење на уредот“.

РАКУВАЊЕ

1. Општи совети

Поглавјата „Посебни совети“ и „Ракување“ се однесуваат на корисникот и на специјализираниот техничар.

Поглавјето „Инсталација“ се однесува на специјализираниот техничар.



Напомена

Внимателно прочитајте го ова упатство пред ракувањето и чувајте го.

Предадете го упатството ако е потребно на следниот корисник.

1.1 Безбедносни совети

1.1.1 Состав на безбедносните совети



СИГНАЛЕН ЗБОР вид опасност

Тука стојат можните последици од непочитување на безбедносниот совет.

► Тука стојат мерките за одбрана од опасноста.

1.1.2 Символи, вид опасност

Симбол	Вид опасност
	Повреда
	Струен удар
	Горење (горење, попарување)

1.1.3 Сигнални зборови

СИГНАЛЕН ЗБОР	Значење
ОПАСНОСТ	Совети, чиешто непочитување ќе доведе до тешки повреди или смрт.
ПРЕДУПРЕДУВАЊЕ	Совети, чиешто непочитување може да доведе до тешки повреди или смрт.
ВНИМАНИЕ	Совети, чиешто непочитување може да доведе до средни или лесни повреди.



1.2 Другите ознаки во оваа документација



Напомена


Општите совети се означени со симболот којшто стои отстрана.

► Внимателно прочитајте ги советите.

Симбол	Значење
	Материјална штета (Оштетување на уредите, консеквентна штета, загрозување на животната средина)
	Отстранување на уредите

- Овој симбол кажува дека треба нешто да направите.
Потребните дејства ќе бидат опишани чекор по чекор.

1.3 Мерни единици

 **Напомена**
Ако не е поинаку наведено, сите мерки се во милиметри.

2. Безбедност


2.1 Прописна примена


Уредот под притисок служи за загревање на вода за пиење или за дополнително загревање на претходно -загреана вода. Уредот може да снабдува едно или повеќе места за пуштање.


Уредот е предвиден за домашна примена. Со него не можат безбедно да ракуваат лицата коишто не се упатени. Уредот може да се примени и надвор од домаќинството, на пр. во мали компании, доколку се користи на истиот начин.


Поинаква примена или примена која го надминува наведеното важи за непрописна. Кон соодветна употреба припаѓа и придржувањето кон ова упатство како и упатствата за поставениот прибор.

2.2 Општи безбедносни совети

 **Напомена**
Радио-тастерот за температура има литиумска копчеста батерија за напојување со струја. Фрлете ги потрошените батерии. Истечените батерии предизвикуваат оштетувања, за кои не одговараме. Батериите што не се полнат не смеете да ги полните.
Примената на батерии и акумулатори што се полнат не е дозволена.
Ако уредот нема да се користи подолг временски период, батериите треба да се извадат (види поглавје „Отстранување проблеми / Замена на батеријата од радио-тастерот за температура“).

 **ВНИМАНИЕ** горење
Арматурата може да се загрее до температура од 60 °C. При истечни температури поголеми од 43 °C постои опасност од попарување.

 **ВНИМАНИЕ** горење
При работа со претходно загреана вода, на пр. соларен систем, температурата на топлата вода може да се разликува од саканата температура.

 **ПРЕДУПРЕДУВАЊЕ повреда**
Децата над 3 години, како и лицата со ограничени телесни, сетилни или ментални способности или без доволно искуство и знаење може да го користат уредот под надзор или доколку бидат упатени во безбедното ракување и ги разбираат опасностите коишто произлегуваат оттаму. Децата не смеат да си играат со апаратот. Децата не смеат да го чистат или да спроведуваат корисничко одржување без надзор.

Ако уредот го користат деца или лица со ограничени телесни, сетилни или ментални способности, препорачуваме постојано ограничување на температурата. Ограничувањето може да ви го постави специјализиран техничар.

 **Материјална штета**
Корисникот треба да ги заштити уредот и арматурата од мраз.

2.3 Ознака за испитување

Види плочка со ознаки на уредот.

3. Опис на уредот


Уредот ја загрева водата, додека таа струи низ него. Истечната температура на топлата вода може континуирано да се нагодува со копчето за нагодување на температурата. Од одредена проточна количина, зависно од температурно нагодување и од температурата на судената вода, регулацијата го вклучува потребниот капацитет на греење.

При ниски приливни температури и при висока сакана температура, протокот автоматски се придушува преку активираниот вентил за ограничување на протокот. Така се обезбедува сигурно постигнување на саканата температура. При работа со однапред загреана вода, од 45 °C на екранот се појавува приказот „Error“.

Може да меморирате и брзо да повикате 2 различни температури. Функцијата ESO ја ограничува проточната количина на ESO-проток и нагодува зададена ESO-температура. Освен тоа, уредот располага со функции за заштита на деца, велнес програма, автоматика за количина на вода, како и динамична заштита од попарување и трајно ограничување на температурата. Позадинското осветлување на екранот на уредот може да се користи и како светло за ориентација.

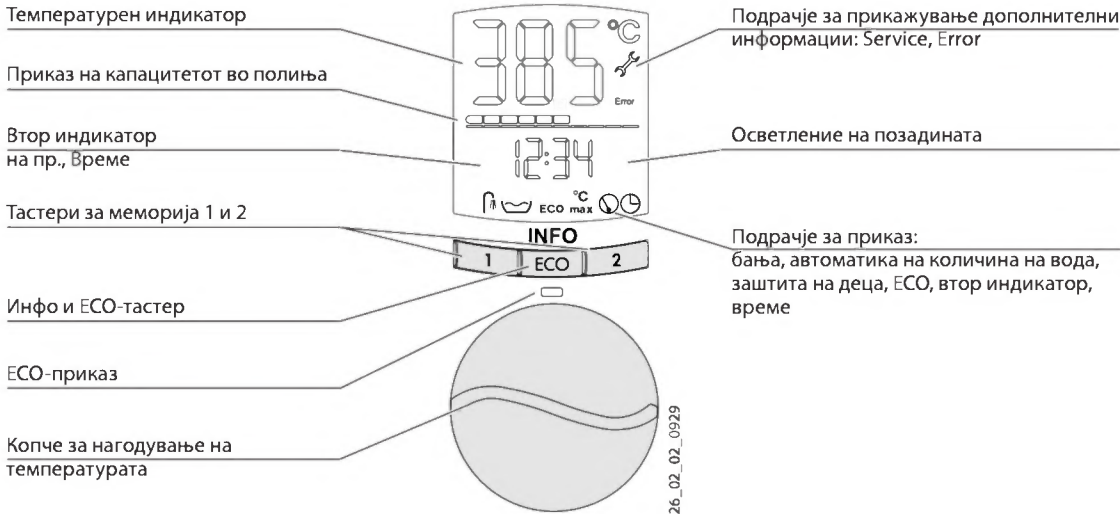
Греен систем

Системот за греење со гола жица има пластична обвивка, отпорна на притисок. Системот за греење е наменет за мека и тврда вода и во голема мера е нечувствителен на калцификација. Системот за греење се грижи за брзо и ефикасно снабдување со топла вода.

 **Напомена**
Овој уред е опремен со препознавање на воздухот, кое во голема мерка го спречува оштетувањето на грејниот систем. Доколку во текот на работата во уредот навлезе воздух, тој го исклучува греењето на една минута и на тој начин го штити грејниот систем.

4. Поставки

4.1 Нагодувања и индикатори на уредот



Подрачје за приказ

	Бања		Втор ред
	Автоматика за количината на водата		Часовник
ECO	ECO-режим		Светло за ориентација
°C max	Блокада за деца		

Подрачје за приказ за дополнителни информации

► Информирајте го стручниот техничар ако се прикажат следните симболи:

Error	Error
	Сервис

4.1.1 Нагодување на температурата

Со вртење на копчето за штелување на температурата можете континуирано да ја нагодувате саканата температура. Се прикажува поставената температура.

Ракување	приказ
	Избирање температура 30-60 °C, континуирана можност за штелување
	на пр., 43 °C
	OFF = греењето е исклучено

4.1.2 Копчиња за меморија

Со копчињата за меморија може брзо да повикате две различни температури. Овие температури можете да ги одредите вие.

Нагодување на тастерите за меморија

	Штелување на саканата температура 30 – 60 °C за меморирање	на пр., 38 °C.
	Притиснете го тастерот 1 или тастерот 2 во траење од 3 секунди	на пр., 38 °C и 43 °C индикаторот трепнува еднаш кратко, температурата е меморирана

Повикување на тастерите за меморија

	Притиснете го тастерот 1 или 2.	на пр., 38 °C и 43 °C
--	---------------------------------	-----------------------

4.1.3 Избирање / откажување ECO

Со ECO-тастерот ја вклучувате и исклучувате функцијата ECO. Кога ќе ја вклучите функцијата ECO, се пали зелената ЛЕД под тастерот. Покрај ова се прикажува ECO-симболот.

Функцијата ECO ја ограничува проточната количина на ECO-проток и нагодува зададена ECO-температура. Двете вредности можат да се прилагодуваат преку менито INFO.

Напомена
Секое поместување на температурата на уредот (со копчето за штелување на температурата или преку тастерите за меморија) води до откажување на функцијата ECO. Потоа, функцијата ECO мора по потреба повторно да ја вклучите.

Доколку ја бирате температурата преку радиотастерот, функцијата ECO повторно самата ќе се вклучи и по изведено пуштање вода.

	Притиснете го ECO-тастерот: избирање ECO	ECO	Свети зелена ЛЕД.
	Притиснете го ECO-тастерот: откажување ECO	ECO исклучено	Не свети ЛЕД.


4.2 Нагодувања во менито INFO

Со ECO-тастерот влегувате во менито INFO и таму можете индивидуално да си ги регулирате функциите на удобност и/или да ги читате вредностите: Штелување на ECO-температури/проточна количина, заштита на деца, велнес програма, автоматика за количина на вода. Преку ECO-тастерот можете да ги утврдите и осветленоста на екранот и ориентациското светло.


Можности за штелување ќе ги добиете кога ќе го притиснете ECO-тастерот подолго од три секунди.

Ако континуирано го притискате ECO-тастерот, ќе дојдете до следната функција.

Кога ќе ја достигнете саканата функција, можете да ги менувате нагодувањата на функцијата со вртење на копчето за нагодување на температурата.

Ракување	приказ
Влез во менито 	Притиснете го ECO-тастерот 3 секунди
	ECO 38 °C



Сите нагодувања во менито INFO веднаш се преземаат.

Излез од менито	приказ
	Притиснете го ECO-тастерот 3 секунди.
	Избрани нагодувања




Ако околу 40 секунди не се притисне некој тастер, менито INFO се напушта.

4.2.1 ECO-функција

Нагодување на ECO-температурата

	Притиснете го ECO-тастерот 3 секунди	ECO 38 °C
	Нагодување на температурата, опсег: 30 – 60 °C	на пр., 40 °C

Нагодување на ECO-проток

	Притиснете го ECO-тастерот 3 секунди	ECO 38 °C
	Кратко притиснете го ECO-тастерот	ECO 8,0 l/min
	Нагодување на протокот 4 – 15 l/min	ECO на пр., 6,0 l/min.

4.2.2 Нагодување на осветлението на позадината сино и црвено.




Екранот на уредот е опремен со осветлување на заднината. Кога нагодувате температури до 42,5 °C, осветлувањето на заднината свети сино, а на температури од 43,0 °C екранот се менува во црвено.

Заднината на екранот се пали кога ќе притиснете тастер, кога го вртите копчето за нагодување на температурата или кога водата тече низ уредот со проток поголем од количината за вклучување.

Ако 30 секунди нема повлекување или ракување, осветлението на позадината се гаси (само кај избрано исклучено светло за ориентација).




При повлекување подолго од 15 минути, осветленоста се намалува (Редуцирање само при поставка > 20 %).

Осветленоста можете индивидуално да ја прилагодите во пет степени на црвено и сино.

	Притиснете го ECO-тастерот 3 секунди	ECO 38 °C
	Повеќепати кратко притиснете на тастерот ECO	■■■■■■■■■■ сино ■■■■■■■■■■ црвено
	Избирање на светлоста на боите сино и црвено	■■■■■■■■■■ 100 % ■■■■■■■■■■ 20 %






4.2.3 Вклучување / исклучување на светлото за ориентација

Осветлението на позадината служи за подобра ориентација во темни простории. За таа цел можете да го вклучите осветлението како трајно светло. Светлото за ориентација свети тогаш со интензитетот на поставеното осветление на позадината.

	Притиснете го ECO-тастерот 3 секунди	ECO 38 °C
	Повеќепати кратко притиснете на тастерот ECO	⏏ OFF
	Избирање „OFF“ / „On“	OFF: исклучено On: вклучено

4.2.4 Вклучување / исклучување / нагодување на обезбедувањето за деца

Уредот можете да го вклучите на некоја максимална температура.

	Притиснете го ECO-тастерот 3 секунди	ECO 38 °C
	Повеќепати кратко притиснете на тастерот ECO	°C OFF max
	Избирање „OFF“ / „On“	OFF: исклучено On: вклучено
	Кратко притиснете го ECO-тастерот	°C 43 °C max
	Нагодување на температурата	°C на пр., 36 °C max

4.2.5 Вклучување / исклучување на бањската функција на удобност

Велнес функцијата за удобност можете да ја нагудувате континуирано, така што по три минути пуштање вода, температурата ќе се спушти за 10 °C, па по 10 секунди пак ќе се зголеми. По уште 10 секунди, температурата повторно ќе падне за 10 °C и по 10 секунди пак ќе се зголеми. Овие промени на температурата се одржуваат до крајот на пуштањето вода.

	Притиснете го ECO-тастерот 3 секунди	ECO 38 °C
	Повеќепати кратко притиснете на тастерот ECO	OFF
	Избирање „OFF“ / „On“	OFF: исклучено On: вклучено

4.2.6 Вклучување / исклучување / нагудување на автоматиката за количината на водата

Автоматиката на количина на вода може да ја наштелувате така што по одредена количина, протокот ќе се спушти на 4 l/min. На тој начин можете да влијаете на количината на водата, а со тоа и на траењето на туширањето. Поставената автоматика за количина на вода важи само за следното пуштање вода.

	Притиснете го ECO-тастерот 3 секунди.	ECO 38 °C
	Повеќепати кратко притиснете на тастерот ECO.	OFF
	Избирање „OFF“ / „On“	OFF: исклучено On: вклучено
	Повеќепати кратко притиснете го тастерот ECO во поставката „On“	80 l
	Нагудување на количина на вода 5 – 200 l	на пр., 150 l

4.2.7 Избор на вториот ред на приказот

Може да бирате кои други информации ќе се прикажат во вториот ред:

l/min	Проточна количина
kWh	Потрошувачка на енергија (вредностите на овие индикатори за потрошувачка може да ги ставите на нула.)
m ³	Количина на вода (вредностите на овие индикатори за потрошувачка може да ги ставите на нула.)
Часовник	Време (по прекин во снабдувањето со струја, часовникот мора одново да се нагоди.)

	Притиснете го ECO-тастерот 3 секунди	ECO 38 °C
	Повеќепати кратко притиснете на тастерот ECO	
	Изберете ја прикажаната вредност на вториот ред	Избран индикатор

Враќање на приказите за потрошувачка „Потрошувачка на енергија и количина на водата“ на нула.

	Во менито INFO, истовремено притиснете ги тастерите 1 и 2, откако на индикаторот ќе се појави соодветната вредност на потрошувачка	0
--	--	---

4.2.8 Нагудување на часовникот

	Притиснете го ECO-тастерот 3 секунди	ECO 38 °C
	Повеќепати кратко притиснете на тастерот ECO	
	Избирање на времето за часовникот	на пр., 12:15 Забелешка: по прекин во напојувањето со струја, часовникот треба одново да се нагоди

4.2.9 Радиотастер - исчитување / - најава / - одјава

Уредот можете далечински да го управувате преку радиотастер. Емитерот е водоотпорен и може да се користи и при туширање или капење. Може да се комбинираат до четири радиотастери. Со радиотастерот можете да влијаете на температурата оддалечени од уредот (на пр., од мијалникот за садови).

Радиотастерот има четири тастери (38 °C и 55 °C се фиксни; плус и минус тастер за менување на температурата за 0,5 °C) за избор на температурата. Ако се испраќаат сигнали до уредот, свети црвената ЛЕД на радиотастерот.

Во ECO-режимот, со притискање на некој тастер од радиотастерот, ECO-функцијата се отповикува до следното пуштање вода. Две минути по пуштање вода доаѓа до ресетирање во режимот ECO.

Ако уредот е во нормален режим, можно е трајно температурно нагудување преку радиоелементот за ракување.

Радиотастер - исчитување на уредот

	Притиснете го ECO-тастерот 3 секунди	ECO 38 °C
	Повеќепати кратко притиснете на тастерот ECO	rc 1-4 Број на пријавените радиотастери (rc: remote control)

Радиотастер - пријавување до уредот

	Притиснете го ECO-тастерот 3 секунди	ECO 38 °C
	Повеќепати кратко притиснете на тастерот ECO	rc 1
	Притиснете го тастерот 1: се активира фазата за начувување. Притиснете кој било тастер на радиотастерот.	Индикаторот со полиња се движи. Свети зелена ЛЕД. rc 2 Индикаторот со полиња се гаси. Препознаен радиотастер

Радиотастер - одјавување од уредот

	Притиснете го ECO-тастерот 3 секунди	ECO 38 °C
	Повеќепати кратко притиснете на тастерот ECO	rc 2
	во „rc“ - режимот притиснете го тастерот 2	rc 0: сите радиотастери се одјавени

4.2.10 Ресетирање на фабричките нагодувања

	Истовремено држете ги тастерите 1 и 2 во траење од 2 секунди	Индикаторот трепка за потврда.
--	--	--------------------------------

Заштитата од попарување и научените радиотастери не се ресетираат (фабрички нагодувања, видете поглавје „Технички податоци“).

4.3 Нагодувања на радиотастерот

	Притиснете 38°	38 °C
	Притиснете 55°	55 °C
	Притиснете +	1 притискање: зададената вредност се зголемува за 0,5 °C.
	Притиснете -	1 притискање: зададената вредност се намалува за 0,5 °C.

Грејниот систем на уредот можете со радиотастерот да го префрлите на OFF (исклучено). Држете го за таа цел тастерот најмалку 3 секунди. За повторно вклучување притиснете кој било тастер.

4.4 Други функции

4.4.1 Динамична заштита од попарување

Уредот има динамична заштита од попарување. Корисникот, кој прво ќе избере температура на уредот или на радиотастерот, ја утврдува температурата за следното пуштање вода. Во наредните две минути или за време на пуштањето вода, или во наредните две минути по завршување на пуштањето, никој друг корисник не може да ја зголеми температурата преку 43 °C.

4.4.2 Заштита од попарување

Стручниот техничар може да стави постојано ограничување на температурата (видете поглавје „Отстранување на пречки/Режим на службата за односи со корисниците“). Со тоа се спречува истекување на вода од уредот со температура од кои може да дојде до повреди.

4.5 Препораки за регулирање

Штедење енергија

Најмалку енергија трошите при следните, од нас препорачани, нагодувања:

- 38 °C за мијалник за раце, туш, када,
- 55 °C за мијалник за садови

Термостатска арматура

Кога го користите уредот со термостатска арматура, препорачуваме да ја нагодите температурата на уредот на максимум (копче за штелување на температурата на 60 °C). Потоа, саканата температура ќе си ја нагодувате на термостатската арматура.

По прекин во снабдувањето со вода



Материјална штета

По прекин во снабдувањето со вода, уредот мора повторно да се пушти во работа со следните чекори за да не дојде до уништување на системот за греење со голи жици.

- ▶ Исклучете го напонот со исклучување на осигурувачите.
- ▶ Отворете го вентилот една минута, додека уредот и претходно вклучениот довод на студена вода не го испуштат воздухот.
- ▶ Повторно вклучете го мрежниот напон.

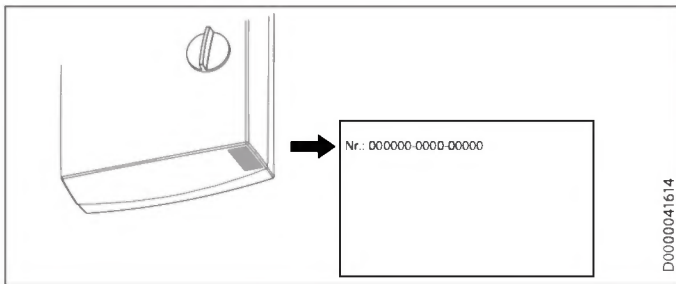
5. Чистење, нега и одржување

- ▶ Не користете абразивни средства за чистење или растворувачи. За нега и чистење на уредот доволна е влажна крпа.
- ▶ Редовно проверувајте ги арматурите. Бигорот на арматурните испусти можете да го отстраните со вообичаени средства за отстранување бигор.

6. Отстранување проблеми

Проблем	Причина	Отстранување
И покрај целосно отворениот вентил за топла вода уредот не се вклучува.	Нема напон.	Проверете ги осигурувачите во домашната инсталација.
	Регулаторот на млазот во арматурата или главата на тушот се затнати од бигор или нечистотии.	Исчистете и / или отстранете го бигорот од регулаторот на млазот или главата на тушот.
Не се достигнува саканата температура > 45 °C.	Водоснабдувањето е прекинато.	Испуштете го воздухот од уредот и од доводот на студена вода (види поглавје „Поставки“).
	Приливната температура на студената вода е > 45 °C.	Намалете ја приливната температура на студената вода.
Премал проток.	Вклучен е ECO-режимот, а протокот во ECO-режимот е нагоден на премала вредност.	Нагодете повисок ECO-проток.
Не може да се нагоди температура поголема од 43 °C.	Активна е динамичната заштита од попарување.	Автоматски се откажува две минути по завршување на црпењето.

Доколку не можете да ја отстраните причината, повикајте стручен техничар. За подобра и побрза помош, соопштете му го бројот од плочката со ознаки (000000-0000-00000).



Замена на батеријата на радиотастерот

Проблем	Причина	Отстранување
Во текот на процесот на емитување, на радиотастерот свети ЛЕД.	Батеријата од радиотастерот е празна.	Заменете ја батеријата.



Материјална штета

▶ Отстранете ја потрошената батерија. Ние не сме одговорни за штети предизвикани од истекување на батеријата.

- ▶ Отворете го куќиштето на радиотастерот со одвртување на двата шрафа на задната страна и подигнување на куќиштето.
- ▶ Заменете ја батеријата, за типот на батерија видете поглавје „Технички податоци/Табела со податоци“.



Напомена

Плусот на батеријата мора да биде оддалечен од плочата.

- ▶ Затворете го куќиштето. Внимавајте притоа на вдлабувањето во работ од капакот. Со вдлабувањето се утврдува правилната положба на капакот и се обезбедува дихтување на куќиштето.



Фрлање на батеријата

Батериите не смеат да се фрлаат во домашниот отпад. Старите батерии може да содржат материи коишто се штетни по животната средина и здравјето. Потрошените батерии треба да се предадат во продавницата или во собирен пункт за специјални материјали.

ИНСТАЛАЦИЈА

7. Безбедност

Инсталацијата, првото пуштање во работа на овој уред како и одржувањето и поправките смее да ги изведува само специјализиран техничар.

7.1 Општи безбедносни совети

Гарантираме беспрекорно функционирање и работна безбедност само ако за уредот се користат соодветниот оригинален прибор и оригиналните резервни делови.



Материјална штета

Придржувајте се кон максималната приливна температура. При повисоки температури може да се оштети уредот. Со вградување централна термостатска арматура можете да ја ограничите максималната приливна температура.



ПРЕДУПРЕДУВАЊЕ струен удар

Овој уред содржи кондензатори коишто се празнат по одвојувањето од струјната мрежа. Напонот на празнење на кондензаторите може во даден случај да изнесува краткотрајно >60 V DC.

7.2 Туширање



ВНИМАНИЕ горење

▶ При снабдување туш, поставете го интерното ограничување на температурата на 55 °C или помалку, видете поглавје „Опис на уредот/Режим на службата за односи со корисниците/Заштита од попарување/Ограничување на температурата“.



ВНИМАНИЕ горење

При снабдување на уредот со претходно загреана вода, внимавајте на следното:
Во даден случај може да се пречекори интерно регулираното ограничување на температурата.
▶ Ограничете ја температурата со претходно вклучена централна термостатска арматура.

7.3 Прописи, стандарди и одредби



Напомена

Придржувајте се кон сите национални и регионални прописи и одредби.

- Видот заштита IP 25 (заштита од вода во млаз) е гарантирана само со прописно монтиран ракавец на кабелот.

- Специфичниот електричен отпор на водата не смее да биде помал од оној, наведен на плочката со ознаки. Кај поврзана водоводна мрежа треба да се запази минималниот електричен отпор на водата (види поглавја „Технички податоци / Подрачја на примена / Табела за конверзија“). Специфичниот електричен отпор на водата или електричната спроводливост на водата ќе ги дознаете во претпријатието за водоснабдување.

8. Опис на уредот

8.1 Опсег на испорака

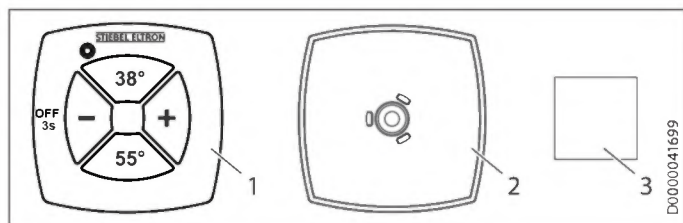
Со уредот се испорачуваат:

- Додаток за закачување на сид
- навоен клин, за закачување на сид
- шаблон за монтажа
- 2 дупли нипли (студена вода со затворачки вентил)
- рамни дихтунзи
- кабелски ракавец (електричен довод горе / долу)
- завртки / типли за прицврстување на задниот сид, при приклучување на водата на завршен сид
- Радиотастер Mini-FFB

За замена на уреди

- 2 продолжетоци

Радиотастер



- 1 Емитер заедно со батерија
- 2 Сиден држач
- 3 Леплива подлошка

9. Подготовки

9.1 Место на монтажа



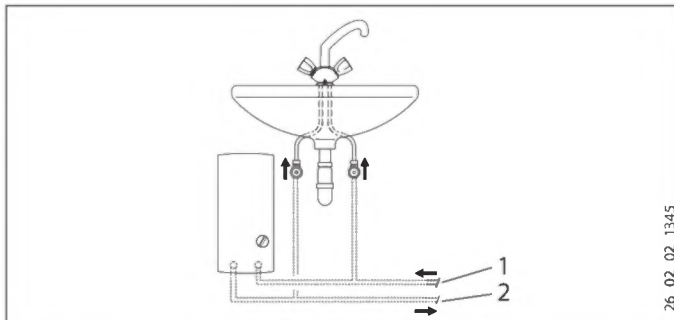
Материјална штета

Уредот смее да се инсталира само во просторија, во која нема опасност од мраз.

- Монтирајте го уредот вертикално и во близина на местото на пуштање.

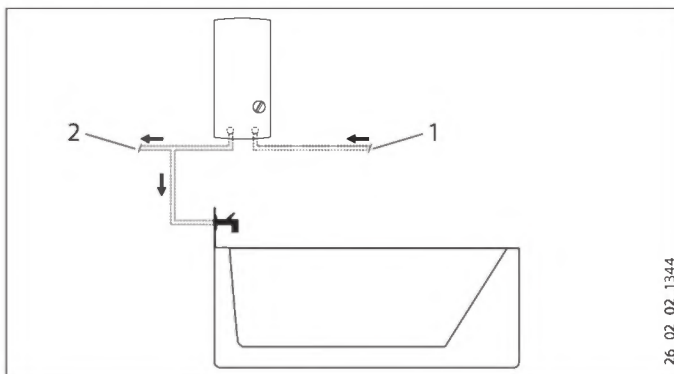
Уредот е погоден за висока и ниска монтажа.

Ниско-монтажно



- 1 Прилив на студена вода
- 2 Испуст на топла вода

Високо-монтажно



- 1 Прилив на студена вода
- 2 Испуст на топла вода



Напомена

► Монтирајте го уредот на сидот. Сидот мора да има доволна носивост.

9.2 Водоводна инсталација

- Не е потребен безбедносен вентил.
- Во цевките за топла вода не се дозволени безбедносни вентили.
- Добро исперете го водоводот.

Арматури

Користете соодветни притисочни арматури. Отворени арматури не се дозволени.



Напомена

Затворачкиот вентил во доводот за студена вода не смеете да го користите за придушување на протокот. Служи за затворање на уредот.

Дозволен материјали на цевките за вода

- Довод на ладна вода: топлопоцинкувана челична цевка, цевка од облагороден челик, бакарна цевка или цевка од пластика
- Испуст на топла вода: цевка од облагороден челик, бакарна цевка или пластична цевка



Материјална штета

При примена на пластични цевни системи придржувајте се кон максималната приливна температура и максимално дозволениот притисок (види поглавја „Технички податоци / Табела со податоци“).

Флексибилни водови за приклучување на водата

- При инсталација со флексибилни водови за приклучување на водата спречете го извртувањето на колената на цевките со помош на бајонетни врски.
- Прицврстете го задниот сид долу со две дополнителни завртки.

10. Монтажа

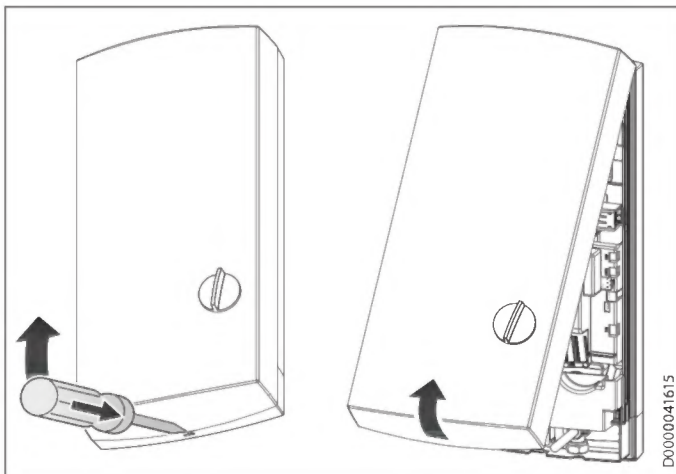
10.1 Стандардна монтажа

- Приклучување на струја горе, монтажа во сид
- Приклучување на вода, монтажа во сид
- однапред поставена средна приклучна моќност

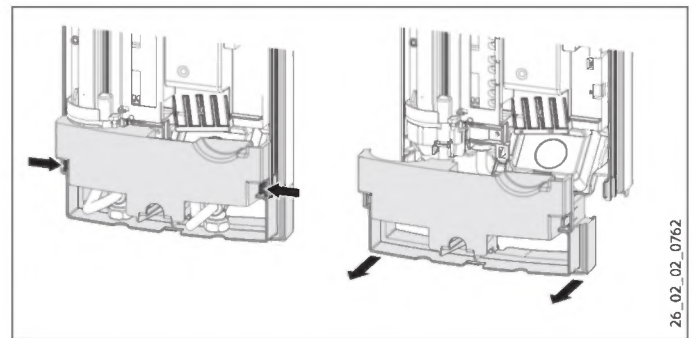
За други можности за монтажа види поглавје „Алтернативна монтажа“:

- Приклучување струја со монтажа во сид - долу
- Приклучување струја на завршен сид
- Приклучување релеј за отфрлање товар
- Водоводна инсталација на завршен сид
- Приклучување вода во сид, при замена на уред
- Работа со претходно загреана вода
- Монтажа на радиотастер

Отворање на уредот

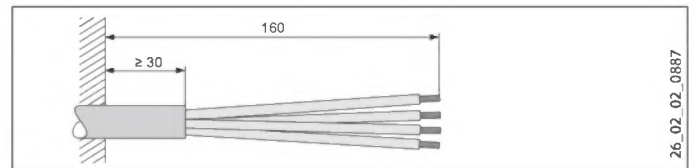


- Отворете го уредот, така што ќе го отклучите резето.

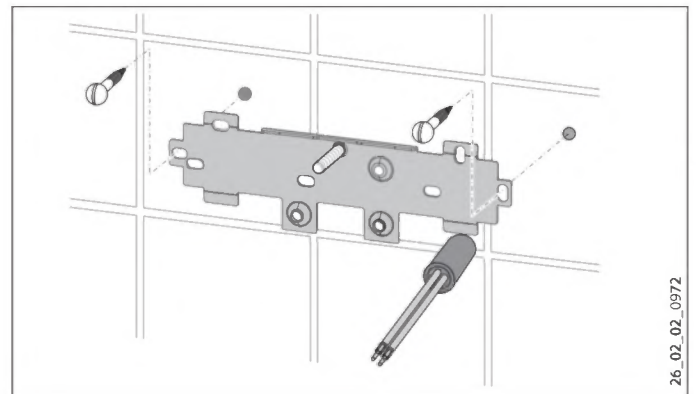


- Одвојте го задниот сид, така што ќе ги притиснете двете куки и ќе го повлечете долниот дел на задниот сид напред.

Подготовка на кабелот за приклучување на струја

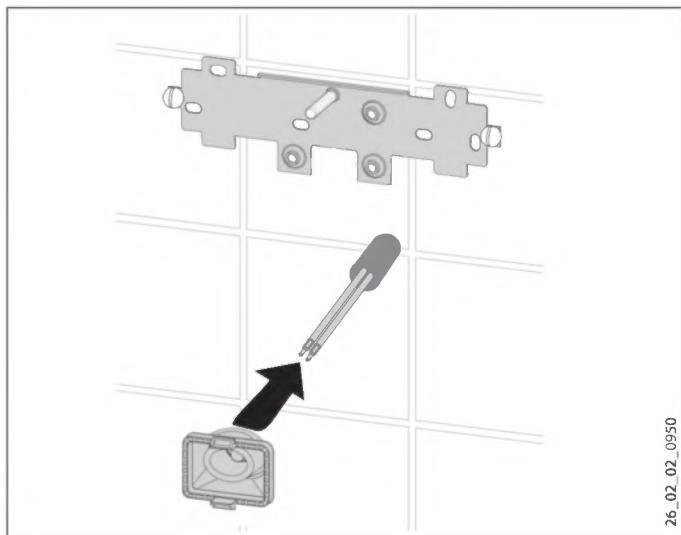


Монтажа на сидниот држач



- Исцртајте ги дупките со помош на монтажниот шаблон. При монтажа со приклучоци за вода на завршен сид, дополнително мора да ги исцртате и дупките за прицврстување во долниот дел од шаблонот.
- Направете ги дупките и прицврстете го сидниот држач со 2 завртки и 2 типли (завртките и типлите не се испорачани).
- Монтирајте го приложениот навоен клин.
- Монтирајте го сидниот држач.

Монтажа на кабелскиот ракавец

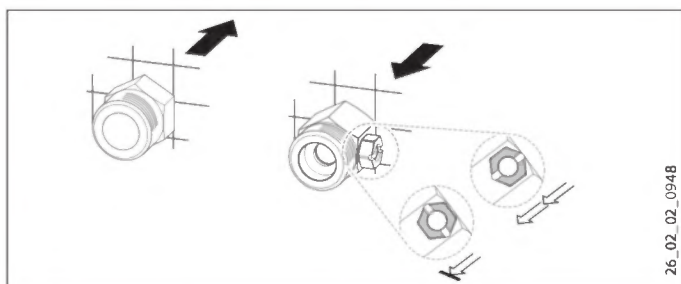


26_02_02_0950

- ▶ Монтирајте го кабелскиот ракавец. Ако приклучниот кабел е $> 6 \text{ mm}^2$, мора да ја зголемите дупката во ракавецот.

Приклучување вода

- ! **Материјална штета**
Изведете ги сите работи за приклучување вода и монтирање според прописот.



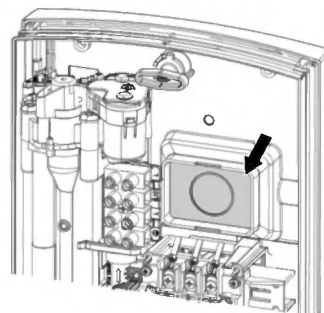
26_02_02_0948

- ▶ Задихтувајте ја и зашрафете ја дуплата нипла.

- ! **Материјална штета**
Затворачкиот вентил во доводот за студена вода не смеете да го користите за придушување на протокот.

Подготвување на задниот сид

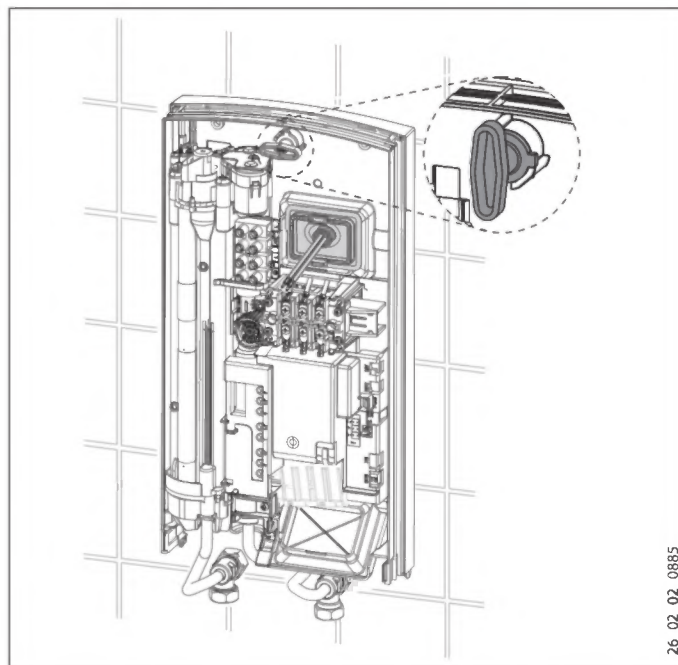
- ! **Материјална штета**
Доколку по грешка сте пробиле погрешна дупка за кабелскиот ракавец, ќе мора да употребите нов заден сид.



26_02_02_0884

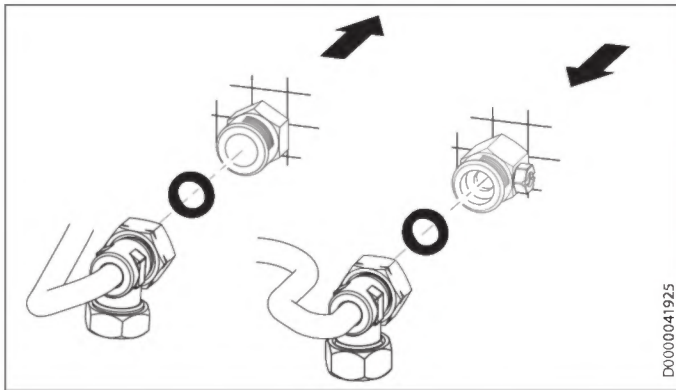
- ▶ Прецизно пробијте го местото за кабелскиот ракавец. Израмнете ги острите рабови со турпија.

Монтажа на уредот



26_02_02_0885

- ▶ Вклопете го задниот сид преку навојниот клин и кабелскиот ракавец. Повлечете го ракавецот со помош на клешти за куките за прицврстување во задниот сид, додека не слушнете вклопување на двете куки.
- ▶ Извадете ги заштитните транспортни затки од приклучоците за вода.
- ▶ Цврсто притиснете го задниот сид и заклучете ја полу-гата за прицврстување со вртење во десно за 90° .



- ▶ Зашрафете ги приклучните цевки за вода со рамни дихтунзи на дуплите нипли.



Материјална штета

За функционирање на уредот, ситото мора секогаш да е вградено.

- ▶ При замена на уредот проверете дали ситото е на место (види поглавје „Одржување“).

Воспоставување на приклучување на струја



ПРЕДУПРЕДУВАЊЕ струен удар

Изведете ги електриката и инсталацијата по пропис.



ПРЕДУПРЕДУВАЊЕ струен удар

Приклучувањето на струја е дозволено само како фиксен приклучок во врска со кабелскиот ракавец што се вади. Уредот мора да може да се одвојува од мрежниот приклучок преку разделна патека од минимум 3 mm, во сите полови.



ПРЕДУПРЕДУВАЊЕ струен удар

Внимавајте на тоа, уредот да биде приклучен на кабел за заземјување.



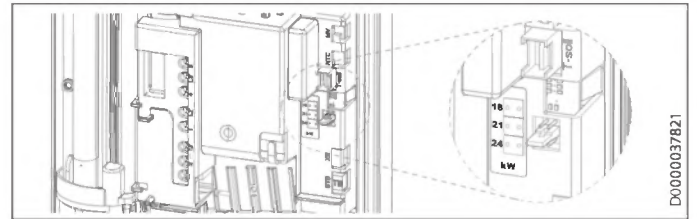
Материјална штета

Придржувајте се кон податоците од плочката со ознаки. Наведениот напон мора да одговара на напонот на мрежата.

- ▶ Приклучете го електричниот приклучен кабел на клемата за приклучување на струја (видете поглавје „Технички податоци/Шематски дијаграм“).

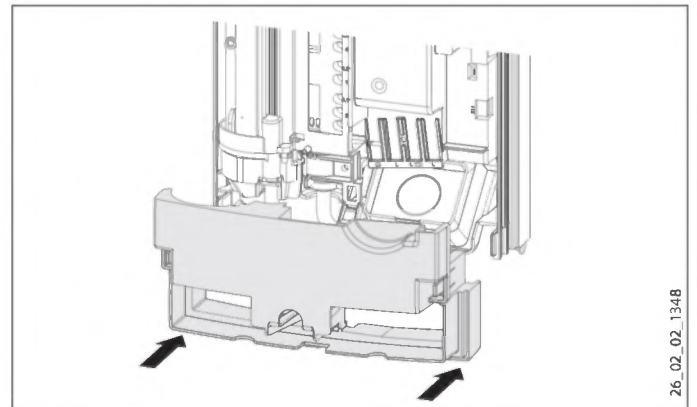
Префрлете го кодниот приклучник

При испорака, уредот е вклучен на 21 kW. За префрлување на друга приклучна моќност, мора да ги преземете следните чекори:



- ▶ Префрлете го кодниот приклучник во согласност со избраната приклучна моќност (види изборна приклучна моќност и осигурување на уредот во поглавје „Технички податоци / Табела со податоци“).
- ▶ Означете ја избраната приклучна моќност на плочката со ознаки. Користете пенкало.

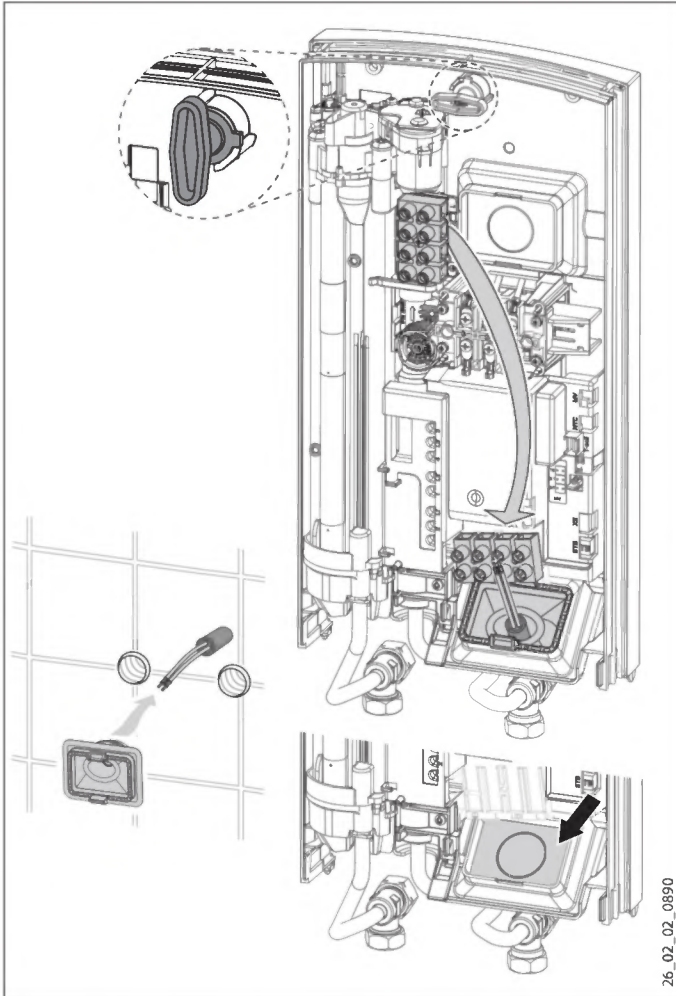
Монтажа на долниот дел од задниот сид



- ▶ Монтирајте го долниот дел во задниот сид и прицврстете го.
- ▶ Наместете го монтираниот уред, така што ќе ја ослободите полугата за прицврстување, ќе ги порамните приклучувањето на струја и задниот сид и повторно ќе ја прицврстите полугата. Доколку задниот сид од уредот не лежи рамно, уредот треба да го прицврстите со две дополнителни завртки во долниот дел.

10.2 Алтернативна монтажа

10.2.1 Приклучување струја со монтажа во сид - долу



- ▶ Монтирајте го кабелскиот ракавец.



Материјална штета

Доколку по грешка сте пробиле погрешна дупка за кабелскиот ракавец, ќе мора да употребите нов заден сид.

- ▶ Прецизно пробијте го местото за кабелскиот ракавец. Израмнете ги остриите рабови со турпија.
- ▶ Поместете ја клемата за приклучување на струја во уредот од горе надолу.
- ▶ Вклопете го задниот сид преку навојниот клин и кабелскиот ракавец. Повлечете го ракавецот со помош на клешти за куките за прицврстување во задниот сид, додека не слушнете вклопување на двете куки.
- ▶ Цврсто притиснете го задниот сид и заклучете ја полугата за прицврстување со вртење во десно за 90°.

10.2.2 Приклучување струја на завршен сид



Напомена

Со овој вид приклучување се менува видот на заштита на уредот.

- ▶ Променете ја плочката со ознаки. Пречкртајте ја ознаката IP 25 и означете го полето IP 24. Користете пенкало.



Материјална штета

Доколку по грешка сте пробиле погрешна дупка за кабелскиот ракавец, ќе мора да употребите нов заден сид.

- ▶ Исечете или пробијте чист отвор за спроведување во задниот сид (за позиции види поглавја „Технички податоци / Димензии и приклучоци“). Израмнете ги остриите рабови со турпија.
- ▶ Спроведете го кабелот низ ракавецот и приклучете го на клемата за приклучување на мрежа.

10.2.3 Приклучување релеј за отфрлање товар

Во разводната табла вградете релеј за отфрлање товар во комбинација со други електрични уреди, на пр., со електрични уреди за греење со резервоар. Отфрлањето товар следува при активирање на проточниот бојлер.



Материјална штета

Приклучете ја фазата која го вклучува релејот за отфрлање товар на означената клемата од клемата за приклучување на струја во уредот (видете поглавје „Технички податоци/Шематски дијаграми“).

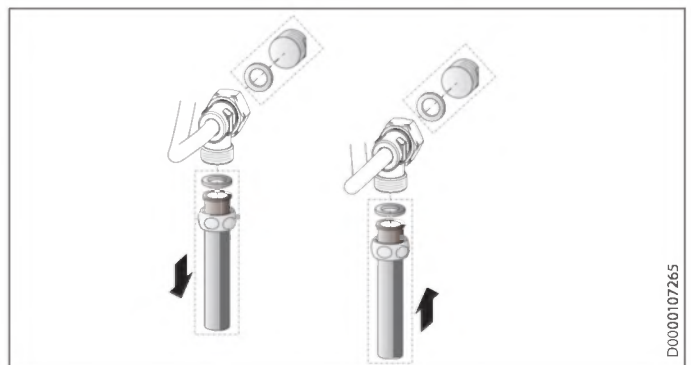
10.2.4 Водоводна инсталација на завршен сид



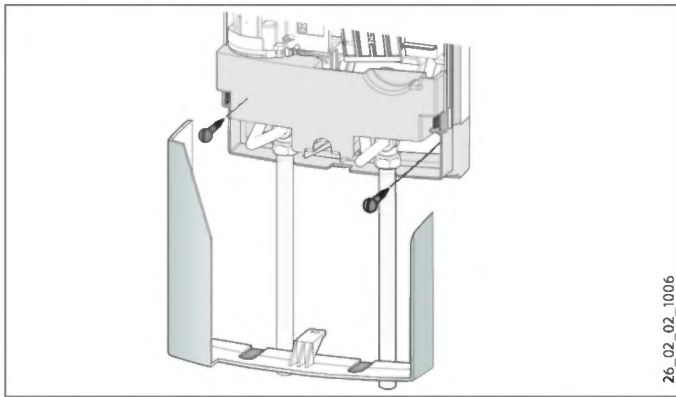
Напомена

Со овој вид приклучување се менува видот на заштита на уредот.

- ▶ Променете ја плочката со ознаки. Пречкртајте ја ознаката IP 25 и означете го полето IP 24. Користете пенкало.



- ▶ Монтирајте ги затките за вода со дихтунзи за да го затворите приклучокот во сидот.
- ▶ Монтирајте соодветна притисочна арматура.



26_02_02_1006

- ▶ Прицврстете го задниот сид долу со две дополнителни завртки.
- ▶ Навлечете го долниот дел од задниот сид под приклучните цевки од арматурата и вклопете го.
- ▶ Зашрафете ги приклучните цевки со уредот.



Материјална штета

Доколку по грешка пробиете погрешна дупка во капата на уредот, ќе мора да употребите нова капа на уредот.

- ▶ Прецизно искршете ги отворите за спроведување во капата на уредот. Израмнете ги острите рабови со турпија.

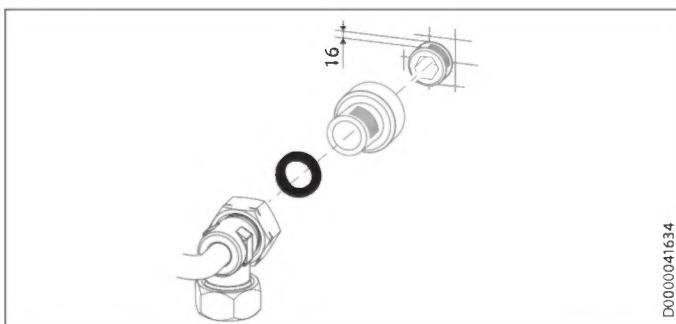
10.2.5 Водоводна инсталација во сид, при замена на уред

Ако постоечките дупли нипли на стариот уред стрчат само околу 16 mm од сидот, не можете да ги користите испорачаните дупли нипли.



Напомена

Кај ова приклучување затворањето на доводот за студена вода е можно само во домашната инсталација.



D0000041634

- ▶ Задихтувајте ги и зашрафете ги приложените продолжетоци.
- ▶ Приклучете го уредот.

10.2.6 Работа со претходно загреана вода

Со вградување на централна термостатска арматура се ограничува максималната приливна температура. За примена во режимот на туширање, арматурата треба да се регулира на макс. 55 °C.

10.3 Завршување на монтажата

- ▶ Отворете го затворачкиот вентил во дуплата нипла или во доводот на студена вода.

10.4 Монтажа на радиотастер

Предавателот може да го прицврстите на сидот со помош на сидниот држач.

- ▶ Прицврстете го сидниот држач на сидот со приложената леплива подлошка или со соодветен шраф со впуштена глава (Ø 3 mm или помал).

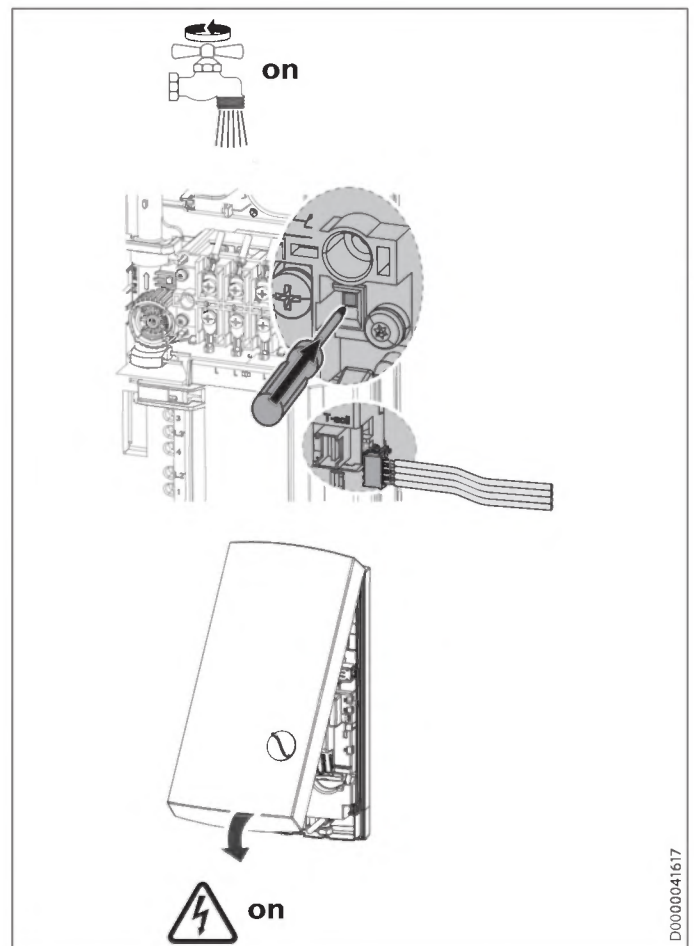
11. Пуштање во работа



ПРЕДУПРЕДУВАЊЕ струен удар

Пуштањето во работа смее да го изведува само специјализиран техничар, придржувајќи се кон безбедносните прописи.

11.1 Прво пуштање во работа



D0000041617

- ▶ Отворајте и затворајте ги повеќепати сите приклучени вентили за пуштање вода, сè додека од доводната мрежа и уредот не се испушти сиот воздух.
- ▶ Проверете го дихтувањето.

- ▶ Активирајте го безбедносниот ограничувач на притисокот, така што силно ќе го притиснете тастерот за враќање во првобитна положба (уредот се испорачува со дезактивиран безбедносен ограничувач на притисок).
- ▶ Вметнете го приклучникот на кабелот од уредот за регулација на температурата во електрониката.
- ▶ Монтирајте ја капата на уредот. Треба да слушнете дека се вклопила. Проверете дали капата на уредот лежи правилно.
- ▶ Вклучете го мрежното напојување.
- ▶ Проверете го режимот на работа на уредот.

Радиотастер Mini-FFB

Радиотастерот е фабрички пријавен на уредот. Доколку при пуштање во работа нема пренесување податоци, изведете ја постапката на вчитување на следниот начин:

- ▶ Со ECO-тастерот вклучете ја функцијата на удобност „Радиотастер (rc)“
- ▶ Притиснете го копчето за меморија 1 на уредот (се активира фазата за научување, линискиот индикатор во приказот се движи).
- ▶ Притиснете потоа еден тастер на радиотастерот.

Заштита од попарување / ограничување на температура

Саканото ограничување на температурата можете да го нагодувате во режимот на службата за односи со корисниците, во опсег од 31 – 60 °C.

Предавање на уредот

- ▶ Објаснете му ја на корисникот функцијата на уредот и запознајте го со користењето на уредот.
- ▶ Упатете го на можните опасности, посебно на опасноста од попарување.
- ▶ Предајте го ова упатство.

11.2 Повторно пуштање во работа

Испуштете го воздухот од уредот и од доводот на студена вода (види поглавје „Поставки“).

Види поглавје „Прво пуштање во работа“.

12. Исклучување од работа

- ▶ Одвојте го уредот од мрежниот приклучок во сите полови.
- ▶ Испразнете го уредот (види поглавје „Одржување“).

13. Отстранување пречки



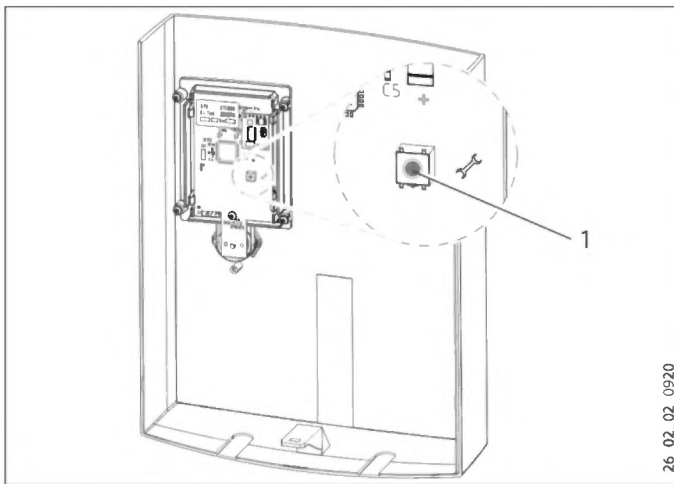
ПРЕДУПРЕДУВАЊЕ струен удар
За да можете да го проверите уредот, тој мора да биде под напон.

Пречка	Причина	Отстранување
Премал проток.	Нечисто сито и/или регулатор на млаз Моторниот вентил е дефектен.	Исчистете го ситото и/или регулаторот на млаз. Проверете го моторниот вентил. Заменете го по потреба.
Континуиран Error-приказ на наредбата за ракување	Дефект на сензор/електроника.	Анализирајте ја грешката по-натому во режимот на службата за односи со корисниците (погледнете го поглавјето „Режим на службата за односи со корисниците“).
	Попречена комуникација помеѓу наредбата за ракување и регулацијата.	Проверете ги елементот за ракување и поврзувачкиот вод.
Осветлувањето на заднината во наредбата за ракување е целосно исклучено.	нема напон	Проверете ги осигурувачите во домашната инсталација.
	Лабав кабел за поврзување на елементот за ракување	Прицврстете го кабелот за поврзување.
	Се активирал безбедносниот ограничувач на притисокот.	Отстранете ја причината. Отворете придоден вентил за пуштање вода 1 минута. Со тоа, грејниот систем се ослободува од притисокот, се лади и се штити од прегревање. Активирајте го безбедносниот вентил за ограничување на притисокот при проточен притисок, а за таа цел притиснете го тастерот за ресетирање.
	Дефект на електрониката.	Проверете ја електрониката и заменете ја ако е потребно.
Греењето не вклучува / нема топла вода.	Дефект на грејниот систем.	Проверете го грејниот систем, по потреба заменете го.
	Уредот за регистрирање проток е дефектен или не е вклучен.	Проверете го поврзувањето. Проверете го мерењето на протокот во режимот на службата за односи со корисниците.
	Безбедносниот ограничувач на температурата се активирал или е прекинат.	Отстранете ја причината. Активирајте го безбедносниот ограничувач на температура, заменете го безбедносниот ограничувач на температура ако е потребно.
Error-приказот се појавува само кога се пушта вода.	Нема фаза	Проверете ги осигурувачите во домашната инсталација.
	Приливна температура > 45 °C.	Погледнете го поглавјето „Водоводна инсталација“, по потреба ограничете ја приливната температура.
Кратка појава на студена вода.	Активна е бањската функција. кратко паѓање на протокот	Дезактивирајте ја бањската функција. Уредот автоматски почнува да работи, кога повторно ќе има доволен проток.
	Се активирал системот за препознавање воздух (студена вода во траење од околу 1 мин).	По одложувањето, уредот автоматски продолжува да работи.

13.1 Режим на службата за односи со корисниците

Режимот на службата за односи со корисниците ќе го активирате/деактивирате со тастерот SERVICE на задната страна од контролната табла (мора да има поврзување со „зададена-Т“). Со ECO-тастерот (видете поглавје „Нагодувања/Нагодувања во менито INFO“) преминувате на следната точка во менито.

Во соодветното под-мени можете да ги листате опциите со вртење на копчето за нагодување на температурата.



1 SERVICE-тастер

13.1.1 Мени Error

Ова мени се прикажува само кога има грешка.

Код	Значење
E1, ELEC	Дефект на електронската монтажна група. Заменете ја електронската монтажна група.
E 3, ntc	Проверете го електричното поврзување кон истечниот сензор. Заменете го по потреба.
E 4, mot	Проверете го електричното поврзување кон моторниот вентил. Заменете го по потреба.

13.1.2 Контролно мени

Код	Значење
C 1, 36.5 °C	Приказ на актуелната приливна температура. Доколку има дефект на сензорот за студена вода, се прикажува температура од 1,0 °C.
C 2, 47,5 °C	Приказ на актуелната истечна температура. Доколку има дефект на истечниот сензор, се прикажува температура од 65,0 °C.
C 3, 6,8 l/min	Приказ на актуелната проточна количина.
C 4, 21.5 kW	Приказ на актуелната потрошувачката на струја.

13.1.3 Мени за податоци

Код	Значење
d 1, 8042	Сервисен код за службата за односи со корисниците
d 2, 2341	Време во денови, колку што уредот е приклучен на струјната мрежа.
d 3, 172 h	Траење на греењето во часови.
d 4, 24 kW	Максимален капацитет во kW: Овој капацитет може да отстапува од номиналниот капацитет, на пр., при напони на мрежата различни од 400 V.

13.1.4 Мени за заштита од попарување / ограничување на температура

Код	Значење
OFF	Исклучена заштита од попарување / ограничување на температура.
Op	Вклучена заштита од попарување / ограничување на температура.
31 – 60 °C	При Op - нагодувањето е максималната вредност на уредот

Фабрички нагодувања (погледнете го поглавјето „Технички податоци“).

По откажување на режимот на службата за односи со корисниците, нема начин да ја менувате нагодената максимална температура преку контролната табла.



ВНИМАНИЕ горење

При работа со претходно загреана вода, поставеното ограничување на температурата, односно заштитата од попарување може да не делува. Во тој случај, ограничете ја температурата на претходно вклучена централна термостатска арматура.

14. Одржување



ПРЕДУПРЕДУВАЊЕ струен удар

При секакви активности на уредот, одвојте го од мрежниот приклучок во сите полови.

Празнење на уредот

Заради изведуваче на активности на одржување можете да го испразните уредот.

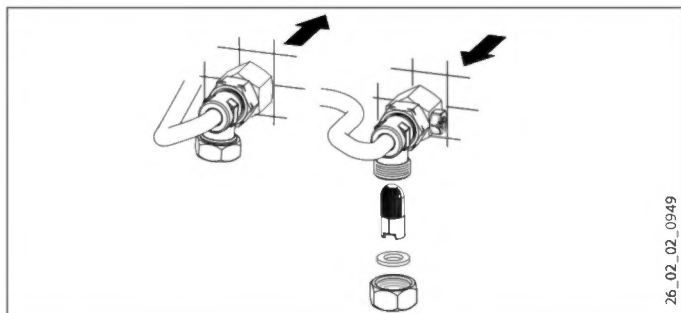


ПРЕДУПРЕДУВАЊЕ горење

При празнење на уредот може да истече жешка вода.

- ▶ Затворете го затворачкиот вентил во дуплата нипла или во доводот на студена вода.
- ▶ Отворете ги сите вентили за пуштање вода.
- ▶ Одвртете ги приклучоците за вода на уредот.
- ▶ Чувајте го демонтираниот уред заштитен од мраз, бидејќи во него има преостаната вода која може да замрзне и да предизвика оштетувања.

Чистење сито

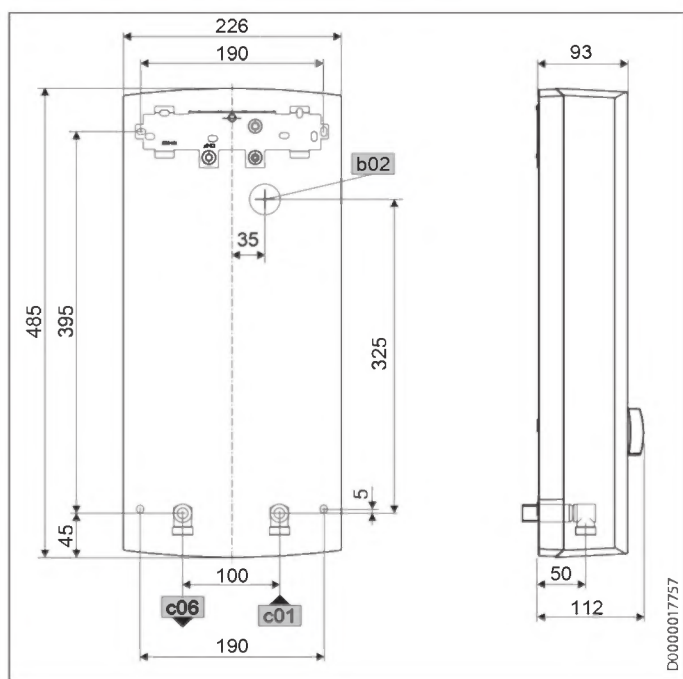


26_02_02_0949

Доколку има нечистотии, исчистете го ситото во навојниот приклучок за студена вода. Пред да го демонтirate, чистите и монтирајте, затворете го затворачкиот вентил во доводот на студена вода.

15. Технички податоци

15.1 Димензии и приклучоци



D0000017757

b02 Спроведување на електричните водови I

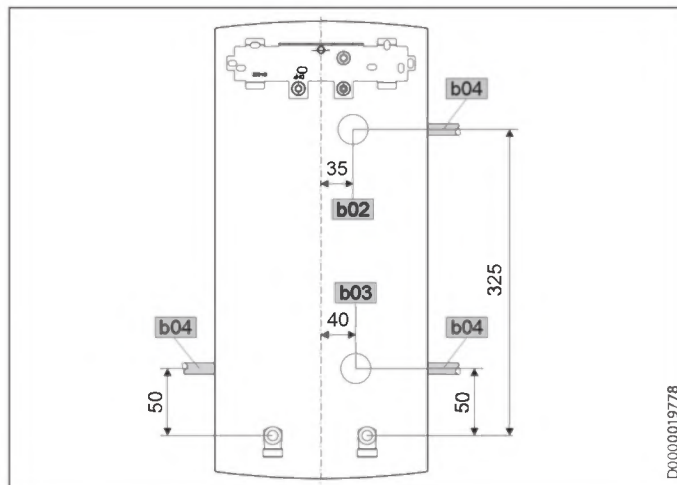
c01 Прилив на студена вода

Надворешен навој G 1/2 A

c06 Испуст на топла вода

Надворешен навој G 1/2 A

Алтернативни можности за приклучување



D0000019778

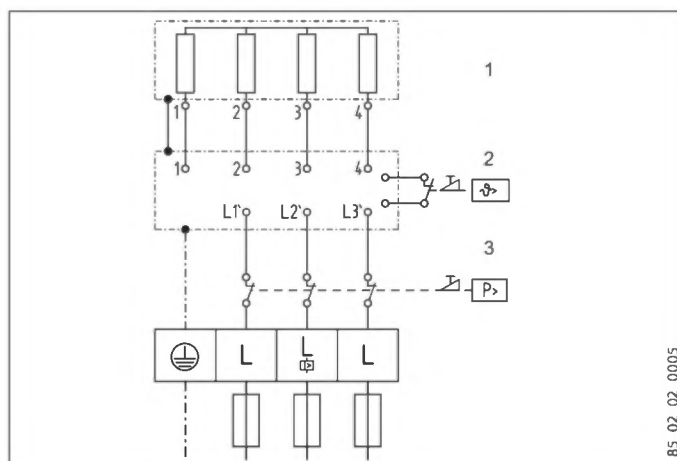
b02 Спроведување на електричните водови I

b03 Спроведување на електричните водови II

b04 Спроведување на електричните водови III

15.2 Шематски дијаграми

3/PE ~ 380-415 V



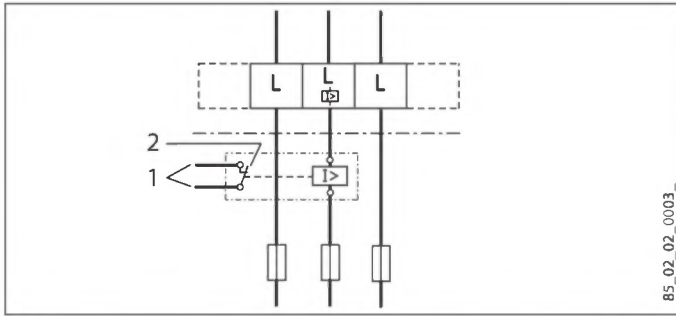
85_02_02_0005

1 Греење

2 Безбедносен ограничувач на температура

3 Безбедносен ограничувач на притисок

Приоритетна склопка со LR 1-A



- 1 Управувачки вод за контакторот од вториот уред (на пр. електрично греење со резервоар).
- 2 Управувачкиот контакт отвора при вклучување на точниот бојлер.

15.3 Фабрички нагодувања

Бања		OFF
Автоматика за количината на водата		OFF/80 l
ECO	ECO	38 °C / 8 l/min
Блокада за деца		OFF/43,0 °C
Втор ред на приказот		l/min
Светло за ориентација		OFF
Осветление на позадината	сино / црвено	100 %

15.4 Капацитет на топла вода

Капацитетот на топла вода зависи од постојниот мрежен напон, приклучната моќност на уредот и приливната температура на студената вода. Номиналниот напон и номиналната моќност ќе ги најдете на плочката со ознаки (видете поглавје „Отстранување проблеми“).

Приклучна моќност во kW			38 °C капацитет на топла вода во l/min.			
Номинален напон			Приливна температура на студена вода			
380 V	400 V	415 V	5 °C	10 °C	15 °C	20 °C
16,2			7,0	8,3	10,1	12,9
19			8,2	9,7	11,8	15,1
21,7			9,4	11,1	13,5	17,2
	18		7,8	9,2	11,2	14,3
	21		9,1	10,7	13,0	16,7
	24		10,4	12,2	14,9	19,0
		19,4	8,4	9,9	12,0	15,4
		22,6	9,8	11,5	14,0	17,9
		25,8	11,2	13,2	16,0	20,5

Приклучна моќност во kW			50 °C капацитет на топла вода во l/min.			
Номинален напон			Приливна температура на студена вода			
380 V	400 V	415 V	5 °C	10 °C	15 °C	20 °C
16,2			5,1	5,8	6,6	7,7
19			6,0	6,8	7,8	9,0
21,7			6,9	7,8	8,9	10,3
	18		5,7	6,4	7,3	8,6
	21		6,7	7,5	8,6	10,0
	24		7,6	8,6	9,8	11,4
		19,4	6,2	6,9	7,9	9,2
		22,6	7,2	8,1	9,2	10,8
		25,8	8,2	9,2	10,5	12,3

15.5 Подрачје на примена / Табела за конверзија

Специфичен електричен отпор и специфична електрична спроводливост на водата (види поглавје „Технички податоци“).

Нормативен навод при 15 °C			20 °C			25 °C		
Отпор $\rho \geq$	Спроводливост $\sigma \leq$		Отпор $\rho \geq$	Спроводливост $\sigma \leq$		Отпор $\rho \geq$	Спроводливост $\sigma \leq$	
$\Omega \text{ cm}$	mS/m	$\mu\text{S/cm}$	$\Omega \text{ cm}$	mS/m	$\mu\text{S/cm}$	$\Omega \text{ cm}$	mS/m	$\mu\text{S/cm}$
900	111	1111	800	125	1250	735	136	1361
1000	100	1000	890	112	1124	815	123	1227

15.6 Загуби на притисок

Арматури

Паѓање на притисокот на арматурите при проток од 10 l/min	
Еднорачна батерија, околу	MPa 0,04 - 0,08
Термостатска арматура, околу	MPa 0,03 - 0,05
Рачка за туш, околу	MPa 0,03 - 0,15

Одредување на димензиите на цевководната мрежа

За пресметка на димензиите на цевководната мрежа за уредот се препорачува загуба на притисок од 0,1 MPa.

15.7 Услови на пречки

Во случај на пречка, може да дојде до краткотрајни оптоварувања на инсталацијата од максимум 95 °C при притисок од 1,2 MPa.

15.8 Податоци за потрошувачката на енергија

Податоци за производот: Конвенционални бојлери според одредбата (ЕУ) бр. 812/2013 | 814/2013

PER 18/21/24	
Производител	STIEBEL ELTRON
Профил на оптоварување	S
Класа на енергетска ефикасност	A
Енергетска ефикасност	39 %
Годишна потрошувачка на струја	kWh 478
Фабрички поставки на температурата	°C 60
Ниво на звучна моќност	dB(A) 15
Посебни совети за мерење на ефикасноста	Податоци за Pmax.
Дневна потрошувачка на струја	kWh 2,199

Технички податоци

15.9 Табели со податоци

PER 18/21/24				
233990				
Електрични податоци				
Номинален напон	V	380	400	415
Номинален капацитет	kW	16,2/19/21,7	18/21/24	19,4/22,6/25,8
Номинална струја	A	27,6/29,5/33,3	29/31/35	30,1/32,2/36,3
Осигурување	A	32/32/35	32/32/35	32/32/40
Фреквенција	Hz	50/60	50/60	50/-
Фази				3/PE
Макс. импеданса на мрежата при 50 Hz	Ω	0,284	0,270	0,260
Специфична спроводливост $\sigma_{15} \leq$ (при ϑ студено $\leq 25^\circ\text{C}$)	$\mu\text{S/cm}$	1111	1111	1000
Специфичен отпор $\rho_{15} \geq$ (при ϑ студено $\leq 25^\circ\text{C}$)	$\Omega \text{ cm}$	900	900	1000
Специфичен отпор $\rho_{15} \geq$ (при ϑ студено $\leq 45^\circ\text{C}$)	$\Omega \text{ cm}$	1200	1200	1300
Специфична спроводливост $\sigma_{15} \leq$ (при ϑ студено $\leq 45^\circ\text{C}$)	$\mu\text{S/cm}$	830	830	770
Приклучоци				
Приклучување на вода				G 1/2 A
Граници на примена				
Макс. дозволен притисок	MPa			1
Макс. приливна температура за дополнително загревање	$^\circ\text{C}$			45
Вредности				
Макс. дозволена приливна температура	$^\circ\text{C}$			60
Вклучено	l/min			>2,5
Опаѓање на притисокот при волуменска струја	MPa			0,08/0,1/0,13
Волуменска струја за опаѓање на притисокот	l/min			5,2/6,0/6,9
Предавање топла вода	l/min			9,4/11,0/12,6
$\Delta\vartheta$ при предавање	K			26
Податоци за хидрауликата				
Номинална содржина	l			0,4
Изведби				
Приклучна снага по избор				X
Дефинирање на температурата	$^\circ\text{C}$			30-60
Изолирачки блок				Пластика
Греен систем генератор на топлина				Гола жица
Капа и заден сид				Пластика
Боја				бело
Вид заштита (IP)				IP25
Димензии				
Висина	mm			485
Ширина	mm			226
Длабочина	mm			93
Тежини				
Тежина	kg			3,8

		Mini-FFB
Димензии (В/Ш/Д) без сиден држач	mm	50/50/17
Радиофреквенција	MHz	868,3
Дострел во објект вкл. еден кат	m	околу 25
Подрачје за нагдување на температурата	$^\circ\text{C}$	30-60
Вид на заштита според EN 60529	туш када	IP X5 IP X7
Тип батерија		1 x CR 2032

Гаранција

За уредите набавени надвор од Германија не важат гарантните услови на нашите германски друштва. Понатаму, во земјите каде што нашите производи ги дистрибуира наша подружница, гаранцијата може да ја даде само подружницата. Таквата гаранција се дава само тогаш, кога подружницата има издадени сопствени услови за гаранција. Надвор од тоа не се дава никаква гаранција.

За уредите набавени во други земји, во коишто производите не ги дистрибуира наша подружница, не даваме никаква гаранција. Ова не влијае на евентуалните гаранции дадени од увозникот.

Животна средина и рециклирање

Помогнете да ја заштитиме нашата животна средина. Отстранете ги материјалите по употребата во согласност со националните прописи.



Напомена

Уредот е сообразен со IEC 61000-3-12.

СПЕЦИАЛНИ УКАЗАНИЯ

ОБСЛУЖВАНЕ

1. Общи указания	98
1.1 Указания за безопасност	98
1.2 Други маркировки в настоящата документация	98
1.3 Мерни единици	98
2. Безопасност	98
2.1 Използване съгласно предписанията	98
2.2 Общи указания за безопасност	99
2.3 Знак за качество	99
3. Описание на уреда	99
4. Настройки	100
4.1 Настройки и показания на уреда	100
4.2 Настройки в менюто ИНФО	101
4.3 Настройки на безжичния превключвател	103
4.4 Допълнителни функции	103
4.5 Препоръки за настройки	103
5. Почистване, поддържане и техническо обслужване	103
6. Отстраняване на проблеми	104

ИНСТАЛИРАНЕ

7. Безопасност	105
7.1 Общи указания за безопасност	105
7.2 Режим душ	105
7.3 Разпоредби, стандарти и предписания	105
8. Описание на уреда	105
8.1 Обем на доставката	105
9. Подготовка	106
9.1 Място за монтаж	106
9.2 Свързване към водопроводната инсталация	106
10. Монтаж	106
10.1 Стандартен монтаж	106
10.2 Алтернативи за монтаж	109
10.3 Завършване на монтажа	111
10.4 Монтаж на безжичен превключвател	111
11. Пускане в експлоатация	111
11.1 Първоначално пускане в експлоатация	111
11.2 Повторно пускане в експлоатация	111
12. Спиране от експлоатация	111
13. Отстраняване на неизправности	112
13.1 Режим Сервиз	112
14. Техническо обслужване	113
15. Технически данни	113
15.1 Размери и изводи за свързване	113
15.2 Електрически схеми	114
15.3 Заводски настройки	114
15.4 Възможност за подаване на топла вода	114
15.5 Работни диапазони / Таблица за преизчисляване	114
15.6 Загуби на налягане	114
15.7 Условия на аварии	115
15.8 Данни за енергопотреблението	115
15.9 Таблици с данни	115

ГАРАНЦИЯ

ОКОЛНА СРЕДА И РЕЦИКЛИРАНЕ

СПЕЦИАЛНИ УКАЗАНИЯ

- Уредът може да се използва от деца над 3 години, както и от лица с намалени физически, сетивни или умствени способности, или с недостатъчен опит и знания, ако са под наблюдение или ако са инструктирани относно безопасната употреба на уреда и са разбрали произтичащите от това опасности. С уреда не бива да играят деца. Почистването и потребителското техническо обслужване не бива да се извършват от деца без наблюдение.
- Арматурата може да достигне температура до 60 °С. При температура на изхода над 43 °С съществува опасност от попарване.
- Уредът е подходящ за хранване на душ (режим душ). Ако уредът се използва също за или единствено за режим душ, специалист трябва да активира в уреда диапазона за настроената температура чрез ограничението на температурата (55 °С или по-ниска). При използване на предварително затоплена вода трябва да се гарантира, че не се превишава входящата температура от 55 °С.
- Уредът трябва да може да се отделя от електропреносната мрежа от всички полюси с разделителен участък от най-малко 3 mm.
- Посоченото напрежение трябва да съответства на хранването с напрежение.
- Уредът трябва да се свърже със защитния проводник.
- Уредът трябва да се свърже за постоянно с твърда връзка към електрическата мрежа.
- Закрепете уреда, както е показано в глава „Инсталиране / Монтаж“.

- Спазвайте максимално допустимото налягане (виж глава „Инсталиране / Технически данни / Таблица с данни“).
- Хидравличното съпротивление не трябва да е по-ниско от специфичното хидравлично съпротивление на водоснабдителната мрежа (виж глава „Инсталиране / Технически данни / Таблица с данни“).
- Изпразнете уреда, както е описано в Глава „Инсталиране / Техническо обслужване / Изпразване на уреда“.

ОБСЛУЖВАНЕ

1. Общи указания

Главите „Специални указания“ и „Обслужване“ са предназначени за потребителя и специалиста.

Главата „Инсталиране“ е предназначена за специалиста.



Указание

Преди да започнете да използвате уреда, прочетете внимателно това ръководство и го запазете. Предайте ръководството на евентуалния следващ потребител.

1.1 Указания за безопасност

1.1.1 Структура на указанията за безопасност



СИГНАЛНА ДУМА вид на опасността
Тук са посочени евентуалните последици от неспазването на указанията за безопасност.
▶ Тук са посочени мерките за избягване на опасността.

1.1.2 Символи, вид на опасността

Символ	Вид на опасността
	Нараняване
	Токов удар
	Изгаряне (Изгаряне, попарване)

1.1.3 Сигнални думи

СИГНАЛНА ДУМА	Значение
ОПАСНОСТ	Указания, чието неспазване води до тежки наранявания или смърт.
ПРЕДУПРЕЖДЕНИЕ	Указания, чието неспазване може да доведе до тежки наранявания или смърт.
ВНИМАНИЕ	Указания, чието неспазване може да доведе до средно тежки или леки наранявания.

1.2 Други маркировки в настоящата документация



Указание

Общите указания са обозначени с намиращия се в непосредствена близост символ.

- ▶ Прочетете внимателно текста на указанията.

Символ	Значение
	Материални щети (щети по уреда, косвени щети, увреждане на околната среда)
	Рециклиране на уредите

- ▶ Този символ Ви показва, че е необходимо да направите нещо. Необходимите действия се описват стъпка по стъпка.

1.3 Мерни единици



Указание

Ако не е указано друго, всички размери са в милиметри.

2. Безопасност

2.1 Използване съгласно предписанията

Уредът под налягане служи за загряване на питейна вода или за поддържане на температурата на предварително загрята вода. Уредът може да запазва няколко източника на вода.

Уредът е предназначен за употреба в домашна обстановка. Той може да бъде обслужван сигурно от лица, които не са инструктирани за работа с него. Уредът също така може да бъде използван и в не домашна обстановка, например в малки предприятия, стига да бъде използван по същия начин.

Счита се, че друго или излизащо извън тези рамки използване не съответства на предписанията. Към употребата по предназначение спада също и спазването на това ръководство, както и ръководствата за използваните принадлежности.

2.2 Общи указания за безопасност



Указание

Безжичният превключвател на температурата разполага с литиева батерия тип „копче“ за захранване с напрежение.

Отстранявайте изтощените батерии. Изтекли батерии причиняват щети, за които не носим отговорност. Непрезареждащи се батерии не трябва да бъдат зареждани.

Употреба на презареждащи се батерии и акумулаторни батерии не е разрешена.

В случай че уредът няма да се използва за по-продължителен период от време, трябва да отстраните батерията (виж също глава „Отстраняване на проблеми / Смяна на батерията на безжичния превключвател на температурата“).



ВНИМАНИЕ изгаряне

Арматурата може да достигне температура до 60 °C. При температура на изхода над 43 °C съществува опасност от попарване.



ВНИМАНИЕ изгаряне

При работа с предварително загрята вода, напр. от соларна система, температурата на топлата вода може да се различава от настроената зададена температура.



ПРЕДУПРЕЖДЕНИЕ нараняване

Уредът може да се използва от деца над 3 години, както и от лица с намалени физически, сетивни или умствени способности, или с недостатъчен опит и знания, ако са под наблюдение или ако са инструктирани относно безопасната употреба на уреда и са разбрали произтичащите от това опасности. С уреда не бива да играят деца. Почистването и потребителското техническо обслужване не бива да се извършват от деца без наблюдение.

Ако деца или лица с ограничени физически, сетивни или умствени възможности използват уреда, ние препоръчваме постоянно ограничение на температурата. Ограничението може да се настрои от специалист.



Материални щети

Потребителят трябва да предпазва уреда и арматурата от замръзване.

2.3 Знак за качество

Виж фирмената табелка на уреда.

3. Описание на уреда

Уредът загрява протичащата през него вода. Изходящата температура на топлата вода може да се регулира плавно чрез ключа за регулиране на температурата. Над определен дебит и в зависимост от настройката на температурата и температурата на студената вода, управлението включва необходимата нагревателна мощност.

При ниски входящи температури и при висока желана температура дебитът се дроселира автоматично чрез задействания вентил за ограничаване на дебита. Така се гарантира сигурно достигане на желаната температура. При работа с предварително загрята вода над 45 °C на дисплея се появява „Error“ (Грешка).

Можете да запаметите и извиквате бързо 2 различни температури. ЕКО функцията ограничава дебита до ЕКО дебит и настройва предварително зададена ЕКО температура. Освен това уредът разполага с функциите защита за деца, уелнес програма, автоматично регулиране на количеството вода, както и динамична защита от попарване и постоянно ограничение на температурата. Фоновото осветление на дисплея на уреда може да се използва и като светлина за ориентиране.

Нагревателна система

Нагревателната система с открити нагреватели има устойчив на налягане пластмасов корпус. Нагревателната система е предназначена за меки и твърди води и до значителна степен е нечувствителна към отлагане на котлен камък. Нагревателната система осигурява бързо и ефективно снабдяване с топла вода.

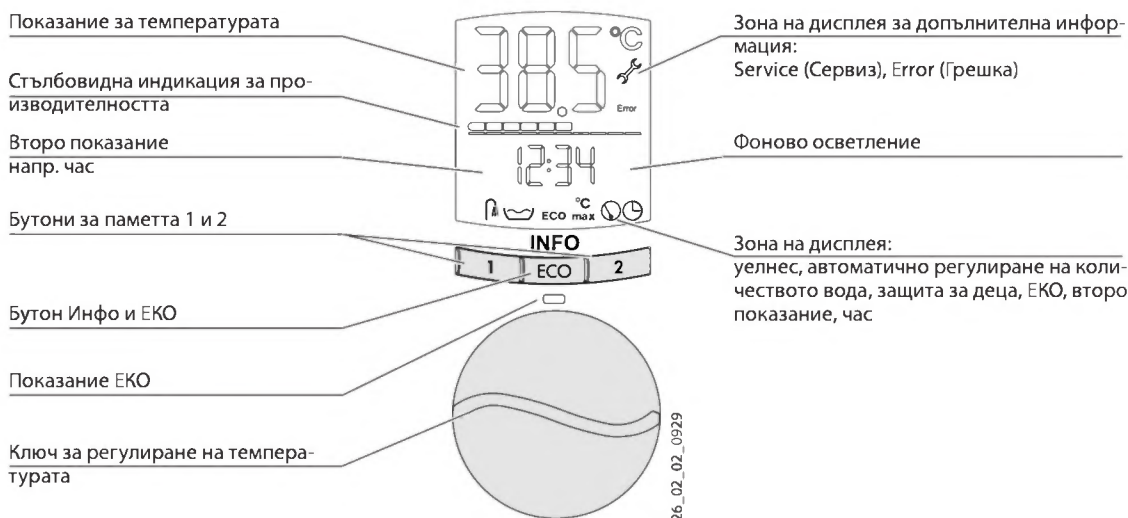


Указание

Уредът е оборудван с устройство за установяване наличие на въздух, което до голяма степен предотвратява повреждането на нагревателната система. Ако по време на експлоатацията в уреда навлезе въздух, уредът изключва нагревателната мощност за една минута и така предпазва нагревателната система.

4. Настройки

4.1 Настройки и показания на уреда



Зона на дисплея

	Уелнес		Втори ред
	Автоматично регулиране на количеството вода		Час
ECO	ЕКО режим		Светлина за ориентиране
°C max	Защита за деца		

Зона на дисплея за допълнителна информация

► Уведомете специалист, в случай че се покажат следните символи:

Error	Error (Грешка)
	Service (Сервиз)

4.1.1 Настройте температурата.

Чрез въртене на ключа за регулиране на температурата можете да настроите плавно желаната температура. Настроената температура се показва.

Обслужване	Показание
	Изберете температура 30 – 60 °C, възможна е плавна настройка.
	напр. 43 °C
	OFF = загряването е изключено

4.1.2 Бутони за паметта

С бутоните за паметта можете бързо да извикате две различни температури. Вие можете да определите тези температури.

Задаване на функции на бутоните за паметта

	Настройте желана температура 30 – 60 °C за запамяване.	напр. 38 °C
	Натиснете бутона 1 или бутона 2 за 3 секунди	напр. 38 °C и 43 °C Показанието премигва един път кратко, температурата е запаметена.

Извикване на бутоните за паметта

	Натиснете бутона 1 или бутона 2	напр. 38 °C и 43 °C
--	---------------------------------	---------------------

4.1.3 Избиране / Отменяне на ЕКО

С бутона ЕКО включвате и изключвате ЕКО функцията. В случай че сте включили ЕКО функцията, светва зеленият светодиод под бутона. Допълнително се показва символът ЕКО.

ЕКО функцията ограничава дебита до ЕКО дебит и настройва предварително зададена ЕКО температура. Двете стойности можете да коригирате чрез менюто ИНФО.

Указание

Всяка пренастройка на температурата на уреда (с ключа за регулиране на температурата или бутоните за паметта) води до излизане от ЕКО функцията. Тогава – при необходимост – трябва да настроите отново ЕКО функцията.

В случай че сте избрали температурата чрез безжичния превключвател, ЕКО функцията автоматично се включва отново дори след източване.

	Натиснете бутона ЕКО: изберете ЕКО.	ECO	Зеленият светодиод свети.
	Натиснете бутона ЕКО: отменете ЕКО	ECO изкл.	Светодиодът не свети.


4.2 Настройки в меню ИНФО

С бутон ЕКО влизате в менюто ИНФО и можете индивидуално да настроите осигуряващи комфорт функции и/или да прегледате стойности: настройка на ЕКО температури / дебит, защита за деца, уелнес програма, автоматично регулиране на количеството вода. Чрез бутон ЕКО можете да определите и яркостта на дисплея и светлината за ориентиране.

Възможностите за настройка Ви се предоставят след като натиснете бутон ЕКО за по-дълго от три секунди.

След това, натискайки отново и отново бутон ЕКО, преминавате към съответната следваща функция.

След достигане на желаната функция можете да промените настройките на функцията чрез въртене на ключа за регулиране на температурата.

Обслужване	Показание
Влизане в менюто 	Натиснете бутон ЕКО за 3 секунди. ЕКО 38 °C



Всички настройки в менюто ИНФО се приемат веднага.

Излизане от менюто	Показание
	Натиснете бутон ЕКО за 3 секунди. избрани настройки




След около 40 секунди без натискане на бутон се излиза от менюто ИНФО.

4.2.1 ЕКО функция

Настройка на ЕКО температура

	Натиснете бутон ЕКО за 3 секунди. ЕКО 38 °C
	Настройте температурата, напр. 40 °C диапазон: 30 – 60 °C

Настройка на ЕКО дебит

	Натиснете бутон ЕКО за 3 секунди. ЕКО 38 °C
	Натиснете кратко бутон ЕКО. ЕКО 8,0 l/min
	Настройте дебит напр. 6,0 l/min 4 – 15 l/min

4.2.2 Настройка на яркостта на фоновото осветление в синьо и червено








Дисплеят на уреда е оборудван с фоново осветление. В случай че настроите температури до 42,5 °C, фоновото осветление свети в синьо, при температури над 43,0 °C дисплеят променя цвета си на червен.

Фонът на дисплея светва, когато натиснете бутон, завъртите ключа за регулиране на температурата или когато през уреда протича вода с дебит над количеството, необходимо за включване.

В случай че в продължение на 30 секунди няма източване или обслужване, фоновото осветление се изключва (само при избрана изключена светлина за ориентиране).





При източване в продължение на повече от 15 минути яркостта се намалява (намаляване само при настройка > 20 %).

Можете индивидуално да настроите яркостта за червено и синьо на пет степени.

	Натиснете бутон ЕКО за 3 секунди. ЕКО 38 °C	
	Натиснете няколко пъти кратко бутон ЕКО.	 синьо
	Изберете яркостта на цветовете синьо и червено	 червено  100 %  20 %






4.2.3 Включване / Изключване на светлината за ориентиране

Фоновото осветление служи за по-добро ориентиране в тъмни помещения. За целта можете да включите осветлението като постоянна светлина. Тогава светлината за ориентиране свети със силата на настроеното фоново осветление.

	Натиснете бутон ЕКО за 3 секунди. ЕКО 38 °C	
	Натиснете няколко пъти кратко бутон ЕКО.	 OFF
	Изберете „OFF“/„On“.	OFF: изключено On: включено

4.2.4 Включване / Изключване / Настройка на защита за деца

Можете да включите уреда на максимална температура.

	Натиснете бутон ЕКО за 3 секунди. ЕКО 38 °C	
	Натиснете няколко пъти кратко бутон ЕКО.	°C max OFF
	Изберете „OFF“/„On“.	OFF: изключено On: включено
	Натиснете кратко бутон ЕКО.	°C max 43 °C
	Настройте температурата.	°C max напр. 36 °C

4.2.5 Включване / Изключване на осигуряващата комфорт уелнес функция

Можете да настроите за постоянно осигуряваща комфорт уелнес функция така, че след триминутно източване температурата да спадне с 10 °C и след 10 секунди отново да се повиши. След още 10 секунди температурата отново се понижава с 10 °C и след това след 10 секунди отново да повишава. Тези редувания на температурата се поддържат до прекратяване на източването.

	Натиснете бутона ЕКО за 3 секунди.	ЕКО 38 °C
	Натиснете няколко пъти кратко бутона ЕКО.	OFF
	Изберете „OFF“/„On“.	OFF: изключено On: включено

4.2.6 Включване / Изключване / Настройка на автоматичното регулиране на количеството вода

Можете да настроите автоматично регулиране на количеството вода така, че след определено източено количество дебитът да се понижи до около 4 l/min. По този начин можете да влияете върху количеството вода и заедно с това върху продължителността на вземане на душ. Настроеното автоматично регулиране на количеството вода важи само за следващото източване.

	Натиснете бутона ЕКО за 3 секунди.	ЕКО 38 °C
	Натиснете няколко пъти кратко бутона ЕКО.	OFF
	Изберете „OFF“/„On“.	OFF: изключено On: включено
	При настройка „On“ натиснете кратко бутона ЕКО.	80 l
	Настройте количество вода	напр. 150 l
	5 – 200 l	

4.2.7 Избиране на втори ред на дисплея

Можете да изберете каква допълнителна информация да се показва на втория ред:

l/min Дебит

kWh Разход на енергия (Можете да нулирате стойностите на тези показания за разход.)

m³ Количество вода (Можете да нулирате стойностите на тези показания за разход.)

Час Час (След прекъсване на електрозахранването трябва отново да настроите часовника.)

	Натиснете бутона ЕКО за 3 секунди.	ЕКО 38 °C
	Натиснете няколко пъти кратко бутона ЕКО.	
	Изберете стойността на показанието на втория ред.	избрано показание

Нулиране на показанието „Разход на енергия и количество вода“.

	В менюто ИНФО натиснете 0 едновременно бутона 1 и бутона 2, когато на дисплея се появи съответният разход.
--	--

4.2.8 Настройка на часа

	Натиснете бутона ЕКО за 3 секунди.	ЕКО 38 °C
	Натиснете няколко пъти кратко бутона ЕКО.	
	Изберете часа	напр. 12:15 Забележка: След прекъсване на електрозахранването настройте отново часа.

4.2.9 Преглед / Регистрация /Отмяна на регистрация на безжичен превключвател

Можете да управлявате дистанционно уреда посредством безжичен превключвател. Предавателят е водоустойчив и може да се използва и под душа или във ваната. Могат да се комбинират до четири безжични превключвателя. С безжичния превключвател можете да влияете на разстояние от уреда (напр. от кухненската мивка) върху температурата на уреда.

Безжичният превключвател разполага с четири бутона (38 °C и 55 °C – постоянно настроени; бутон Плюс и бутон Минус – за промяна на температурата с 0,5 °C) за избор на температура. Когато се изпратят сигнали към уреда, светва червеният светодиод на безжичния превключвател.

Когато натиснете произволен бутон на безжичния превключвател в режим ЕКО, се отменя ЕКО функцията за следващото източване. Две минути след източването режимът ЕКО се възстановява.

Когато уредът е в нормален режим, чрез безжичния блок за управление е възможна постоянна настройка на температурата.

Преглед на безжични превключватели на уреда

	Натиснете бутона ЕКО за 3 секунди.	ЕКО 38 °C
	Натиснете няколко пъти кратко бутона ЕКО.	rc 1-4 Брой на регистрираните безжични превключватели (rc: remote control)

Извършване на регистрация на безжичен превключвател към уреда

	Натиснете бутон ЕКО за 3 секунди.	Есо 38 °С
	Натиснете няколко пъти кратко бутон ЕКО.	гс 1
	Натиснете бутон 1: активира се фаза на програмиране. Натиснете произволен бутон на безжичния превключвател.	Стълбовидната индикация за напредъка се активира. Зеленият светодиод мига. гс 2 Стълбовидната индикация за напредъка угасва. Безжичният превключвател е разпознат.

Извършване на отмяна на регистрация на безжичен превключвател от уреда

	Натиснете бутон ЕКО за 3 секунди.	Есо 38 °С
	Натиснете няколко пъти кратко бутон ЕКО.	гс 2
	В режим „гс“ натиснете бутон 2.	гс 0: Регистрацията на всички безжични превключватели е отменена.

4.2.10 Връщане към фабричните настройки

	Натиснете едновременно бутон 1 и бутон 2 за 2 секунди	Показанието премигва за потвърждение.
--	---	---------------------------------------

Защитата от попарване и програмирани безжични превключватели не се връщат в изходно положение (фабрични настройки, виж глава „Технически данни“).

4.3 Настройки на безжичния превключвател

	Натиснете	38 °С
	Натиснете	55 °С
	Натиснете +.	Натиснете 1 път: зададената стойност се повишава с 0,5 °С.
	Натиснете -.	Натиснете 1 път: зададената стойност се понижава с 0,5 °С.

С безжичния превключвател можете да превключите награвателната система на уреда на OFF. За целта натиснете бутон Минус за минимум 3 секунди. За повторно включване натиснете произволен бутон.

4.4 Допълнителни функции

4.4.1 Динамична защита от попарване

Уредът разполага с динамична защита от попарване. Потребителят, който първи избере температура с уреда или с безжичния превключвател, определя температурата за следващото източване. В следващите две минути или по време на източването, или през следващите две минути след края на източването никой друг потребител не може да повиши температурата над 43 °С.

4.4.2 Защита от попарване

Специалист може да настрои постоянно ограничение на температурата (виж глава „Отстраняване на неизправности / Режим Сервиз“). С това се предотвратява изтичане на вода от уреда с температура, която може да причини наранявания.

4.5 Препоръки за настройки

Пестене на енергия

Минимална енергия Ви е необходима при следните препоръчани от нас настройки:

- 38 °С за умивалник за ръце, душ, вана,
- 55 °С за кухненска мивка

Термостатна арматура

Ако използвате уреда с термостатна арматура, препоръчваме да настроите уреда на максималната температура (ключ за регулиране на температурата на 60 °С). Тогава настройвате желаната температура с термостатната арматура.

След прекъсване на водоподаването



Материални щети

За да не се разруши награвателната система с открити награватели след прекъсване на водоснабдяването, за пускането на уреда отново в експлоатация трябва да се изпълнят следните стъпки.

- ▶ Спрете подаването на напрежение към уреда, като изключите предпазителите.
- ▶ Отворете арматурата в продължение на една минута, докато се обезвъздушат уредът и намирацията се пред него захранващ тръбопровод за студена вода.
- ▶ Включете отново мрежовото напрежение.

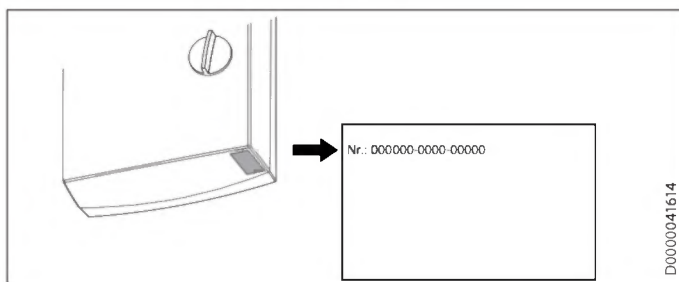
5. Почистване, поддържане и техническо обслужване

- ▶ Не използвайте абразивни или разтварящи почистващи средства. За поддържане и почистване на уреда е достатъчна влажна кърпа.
- ▶ Проверявайте редовно арматурите. Котления камък по изходите на арматурите можете да отстраните с обикновени средства за премахване на котлен камък.

6. Отстраняване на проблеми

Проблем	Причина	Отстраняване
Въпреки напълно отворения кран за топлата вода, уредът не се включва.	Няма подадено напрежение. Регулаторът на струята в арматурата или главата на душа е покрит с котлен камък или е замърсен.	Проверете предпазителите в сградната инсталация. Почистете и/или отстранете котления камък от регулатора на струята или от главата на душа.
Желаната температура > 45 °C не се достига.	Прекъснато е захранването с вода. Входящата температура на студената вода е > 45 °C.	Обезвъздушете уреда и захранващия тръбопровод за студена вода (виж глава „Настройки“). Намалете входящата температура на студената вода.
Дебитът е много малък.	Режимът ЕКО е включен и дебитът в режима ЕКО е настроен на твърде ниска стойност.	Настройте по-висок ЕКО дебит.
Температура над 43 °C не може да се настрои.	Динамичната защита от попарване е активна.	Отменя се автоматично две минути след края на източването.

Ако не можете да отстраните причината, повикайте специалист. За по-добра и по-бърза помощ му съобщете номера от фирмената табелка (000000-0000-00000).



Смяна на батерията на безжичния превключвател

Проблем	Причина	Отстраняване
Светодиодът на безжичния превключвател мига по време и след процеса на предаване.	Батерията на безжичния превключвател е изтощена.	Сменете батерията.



Материални щети

▶ Отстранете изтощената батерия. Не носим отговорност за повреди вследствие изтекла батерия.

- ▶ Отворете корпуса на безжичния превключвател, като развиете двата винта на задната страна и отворите корпуса.
- ▶ Сменете батерията, виж типа на батерията в глава „Технически данни / Таблица с данните“.



Указание

Положителният полюс на батерията трябва да сочи в обратна посока на платката.

- ▶ Затворете корпуса. Вземете под внимание канала по ръба на капака. Каналът определя правилното положение на капака и гарантира уплътняването на корпуса.



Изхвърляне на батерията

Батериите не трябва да се изхвърлят в битовите отпадъци. Възможно е старите батерии да съдържат вредни вещества, които могат да замърсят околната среда и да увредят здравето. Трябва да върнете употребените батерии в магазина или да ги предадете в събирателен пункт за специални отпадъци.

ИНСТАЛИРАНЕ

7. Безопасност

Инсталирането, пускането в експлоатация, както и техническото обслужване и ремонтът на уреда, трябва да се извършват само от специалист.

7.1 Общи указания за безопасност

Ние гарантираме правилно функциониране и експлоатационна безопасност, само ако се използват предназначенията за уреда оригинални принадлежности и оригинални резервни части.



Материални щети

Съблюдавайте максималната входяща температура. При по-високи температури уредът може да се повреди. С монтиране на централна термостатна арматура можете да ограничите максималната входяща температура.



ПРЕДУПРЕЖДЕНИЕ токов удар

Този уред съдържа кондензатори, които се зареждат след изключване от електрическата мрежа. Разрядното напрежение на кондензаторите може кратковременно да бъде > 60 V DC.

7.2 Режим душ



ВНИМАНИЕ изгаряне

► При захранване на душ настройте вътрешното ограничение на температурата на 55 °C или по-ниско, виж глава „Описание на уреда - Режим сервис - Защита от попарване / Ограничение на температурата - Меню“.



ВНИМАНИЕ изгаряне

При захранване на уреда с предварително затоплена вода вземете под внимание следното указание:

Температурното ограничение, което се настройва вътрешно, евентуално ще бъде превишено.

► Ограничете температурата с монтирана централна термостатна арматура.

7.3 Разпоредби, стандарти и предписания



Указание

Съблюдавайте всички национални и регионални разпоредби и предписания.

- Степента на защита IP 25 (защита срещу водни струи) е гарантирана само с правилно монтирана кабелна муфа.
- Специфичното електрическо съпротивление на водата не бива да е по-малко от посоченото на фирмената табелка. При свързана водопроводна система трябва да се вземе под внимание най-ниското електрическо съпротивление на водата (виж глава „Технически данни / Работни диапазони / Таблица за преизчисляване“). Специфичното електрическо съпротивление или електропроводимостта на водата можете да научите от Вашето водоснабдително предприятие.

8. Описание на уреда

8.1 Обем на доставката

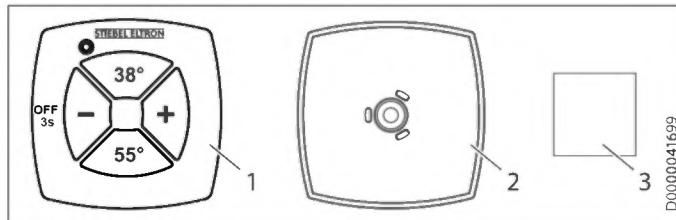
С уреда се доставят:

- Окачване за стена
- Шпилка за окачване на стена
- Монтажен шаблон
- 2 двойни нипела (студена вода със спирателен вентил)
- Плоски уплътнения
- Кабелна муфа (електрически захранващ проводник горе/долу)
- Винтове/Дюбели за закрепване на задната стена при свързване на водата при открита инсталация
- Безжичен превключвател Mini-FFB

За смяна на уреда

- 2 удължителя за кран

Безжичен превключвател



- 1 Предавател включително батерия
- 2 Стенен държач
- 3 Залепваща подложка

9. Подготовка

9.1 Място за монтаж



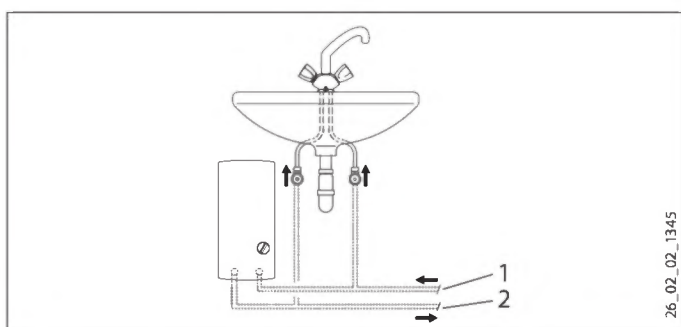
Материални щети

Инсталирането на уреда трябва да се извършва само в незамръзващо помещение.

- ▶ Монтирайте уреда вертикално и в близост до мястото на източване.

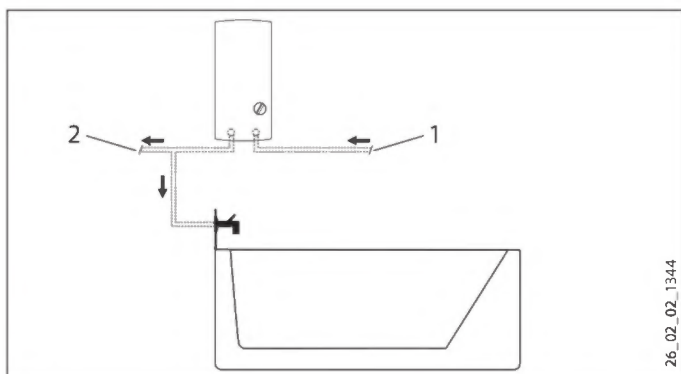
Уредът е подходящ за долен и горен монтаж.

Долен монтаж



- 1 Вход студена вода
- 2 Изход топла вода

Горен монтаж



- 1 Вход студена вода
- 2 Изход топла вода



Указание

▶ Монтирайте уреда на стената. Стената трябва да притежава достатъчна носимоспособност.

9.2 Свързване към водопроводната инсталация

- Не е необходим предпазен клапан.
- Предпазни клапани в тръбопровода за топла вода не са разрешени.
- ▶ Промийте основно водопровода.

Арматури

Използвайте подходящи арматури под налягане. Открити арматури не са допустими.



Указание

Не трябва да използвате спирателния вентил във входа за студена вода, за да дроселирате дебита. Той служи за спиране на уреда.

Разрешени материали на водопроводите

- Захранващ тръбопровод за студена вода: горещоцинкована стоманена тръба, неръждаема тръба, медна тръба или пластмасова тръба
- Изходящ тръбопровод за топла вода: неръждаема тръба, медна тръба или пластмасова тръба



Материални щети

При използване на тръбни системи от пластмаса обръщайте внимание на максималната входяща температура и максимално допустимото налягане (виж глава „Технически данни / таблица с данните“).

Гъвкави свързващи водопроводи

- ▶ При инсталиране с гъвкави свързващи водопроводи предотвратете завъртане на тръбните колена с байонетни връзки в уреда.
- ▶ Закрепете задната стена в долната част с два допълнителни винта.

10. Монтаж

10.1 Стандартен монтаж

- Електрическо свързване горен монтаж, скрита инсталация
- Свързване на водата, скрита инсталация
- Средна мощност за присъединяване към мрежата, предварително настроена

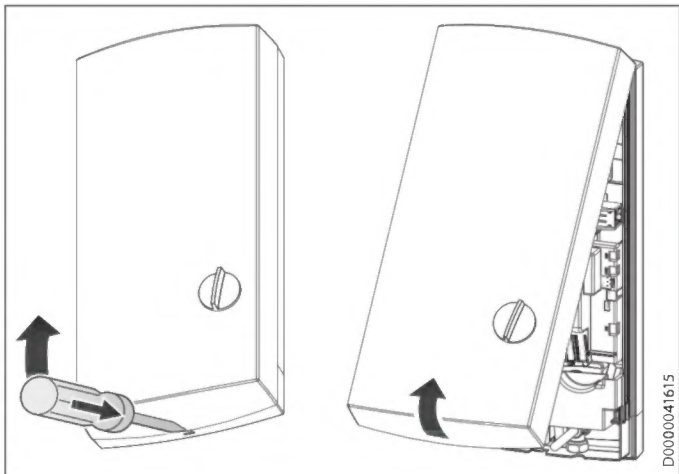
Други възможности за монтаж, виж глава „Алтернативи за монтаж“:

- Електрическо свързване, скрита инсталация, долен монтаж
- Електрическо свързване, открита инсталация
- Свързване на разтоварващо реле
- Свързване на водата, открита инсталация
- Свързване на водата, скрита инсталация, при смяна на уреда
- Работен режим с предварително затоплена вода
- Монтаж на безжичен превключвател

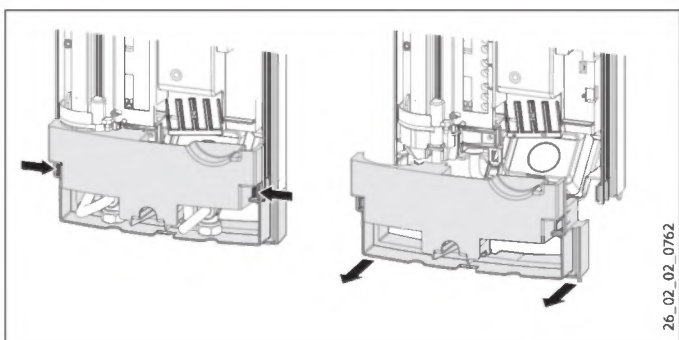
ИНСТАЛИРАНЕ

Монтаж

Отваряне на уреда

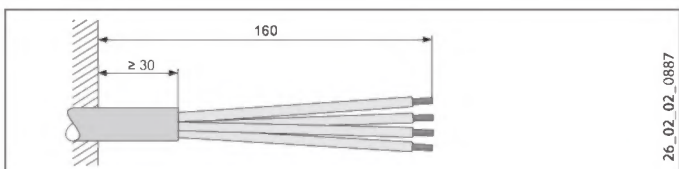


- ▶ Отворете уреда, като деблокирате фиксиращата ключалка.

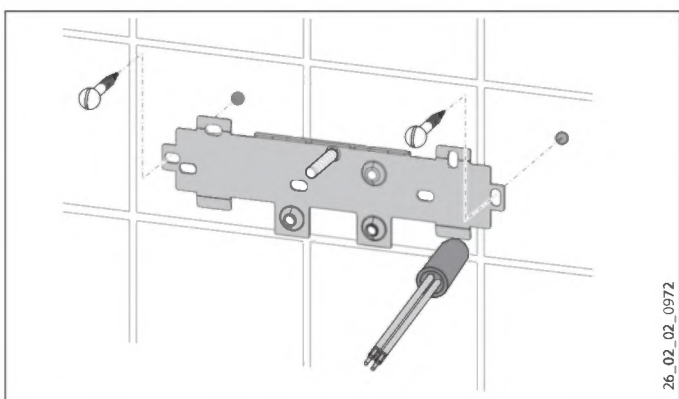


- ▶ Отделете задната стена, като натиснете двата фиксиращи палеца и свалите долната част на задната стена напред.

Подготовка на кабела за свързване към мрежата

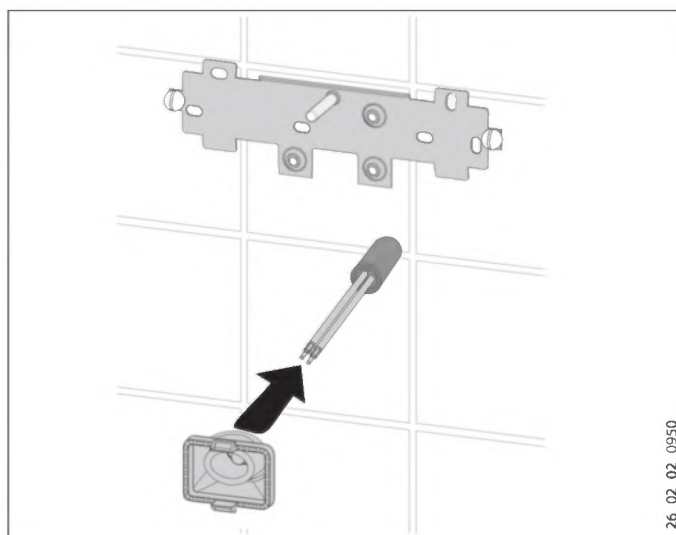


Монтиране на планката за окачване на стена



- ▶ Отбележете отворите за пробиване с монтажния шаблон. При монтаж с открита инсталация на връзките за водата трябва допълнително да отбележите отворите за закрепване в долната част на шаблона.
- ▶ Пробийте отворите и закрепете планката за окачване на стената с 2 винта и 2 дюбела (винтовете и дюбелите не са включени в комплекта на доставката).
- ▶ Монтирайте приложената шпилка.
- ▶ Монтирайте планката за окачване на стената.

Монтаж на кабелната муфа



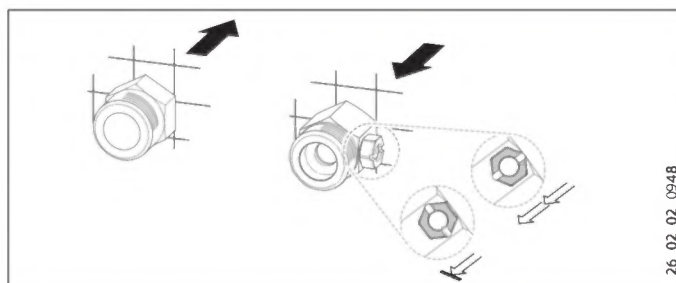
- ▶ Монтирайте кабелната муфа. При свързващ кабел > 6 mm² трябва да увеличите отвора в кабелната муфа.

Свързване на водопровода



Материални щети

Извършете всички работи по свързването към водопроводната инсталация и монтажа съгласно предписанията.



- ▶ Уплътнете и навийте двойния нипел.



Материални щети

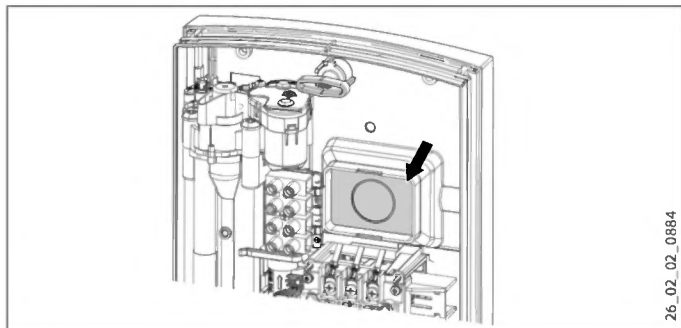
Не трябва да използвате спирателния вентил във входа за студена вода, за да дроселирате дебита.

Подготовка на задната стена



Материални щети

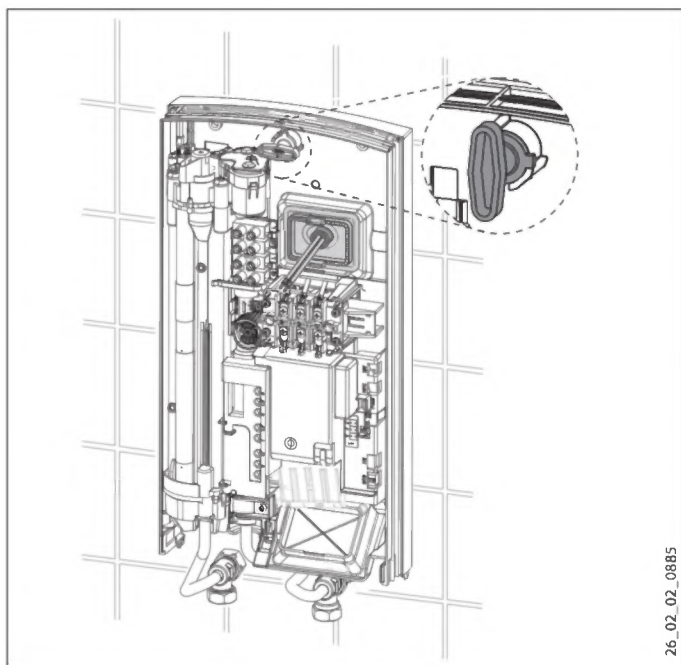
В случай че по невнимание отчупите неправилен отвор в задната стена, трябва да използвате нова задна стена.



26_02_02_0884

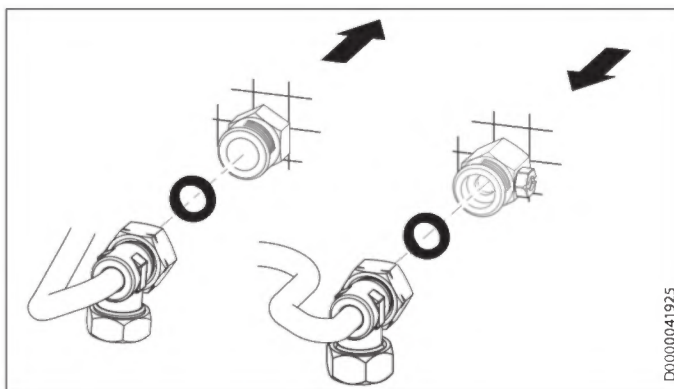
- ▶ Отчупете зададеното място за отвор за кабелната муфа в задната стена. При необходимост загладете острият ръбове с пила.

Монтиране на уреда



26_02_02_0885

- ▶ Поставете задната стена през шпилката и кабелната муфа. С помощта на клещи издърпайте фиксиращите куки на кабелната муфа в задната стена, така че двете фиксиращи куки да се фиксират с щракване.
- ▶ Отстранете транспортните защитни тапи от водните връзки.
- ▶ Притиснете задната стена неподвижно и фиксирайте закрепващия лост със завъртане надясно на 90°.



D0000041925

- ▶ Завийте свързващите водата тръби с плоските уплътнения към двойните нипели.



Материални щети

За функционирането на уреда трябва да е монтирана цедката.

- ▶ При смяна на уреда проверете дали филтърът е налице (виж глава „Техническо обслужване“).

Извършване на електрическото свързване



ПРЕДУПРЕЖДЕНИЕ токов удар

Извършете всички работи по електрическото свързване и инсталиране съгласно предписанията.



ПРЕДУПРЕЖДЕНИЕ токов удар

Свързването към захранващата мрежа е разрешено само като твърда връзка с подвижна кабелна муфа. Уредът трябва да може да се отдели от електропреносната мрежа от всички полюси с разделителен участък от най-малко 3 mm.



ПРЕДУПРЕЖДЕНИЕ токов удар

Внимавайте уредът да е свързан към защитния проводник.



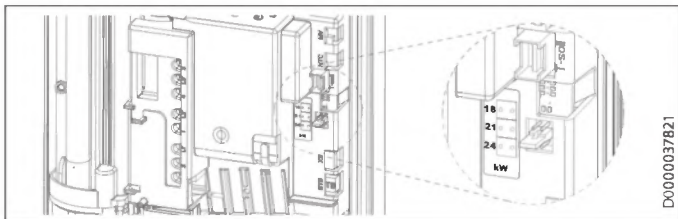
Материални щети

Съблюдавайте фабричната табелка. Посоченото напрежение трябва да съответства на мрежовото напрежение.

- ▶ Свържете свързващия кабел към клемата за свързване към мрежата (виж глава „Технически данни / Електрически схеми“).

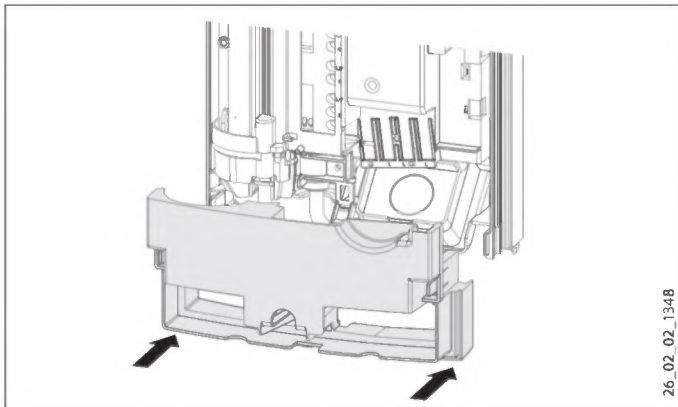
Превключване на кодиращия щекер

При доставката уредът е настроен за 21 kW. При пренастройка за друга мощност за присъединяване към мрежата трябва да предприемете следните стъпки:



- ▶ Превключете кодиращия щекер според избраната мощност за присъединяване към мрежата (избираема мощност за присъединяване към мрежата и защита с предпазители на уреда, виж глава „Технически данни / Таблица с данни“).
- ▶ На фабричната табелка отбележете с кръстче избраната мощност за присъединяване към мрежата. За тази цел използвайте химикал.

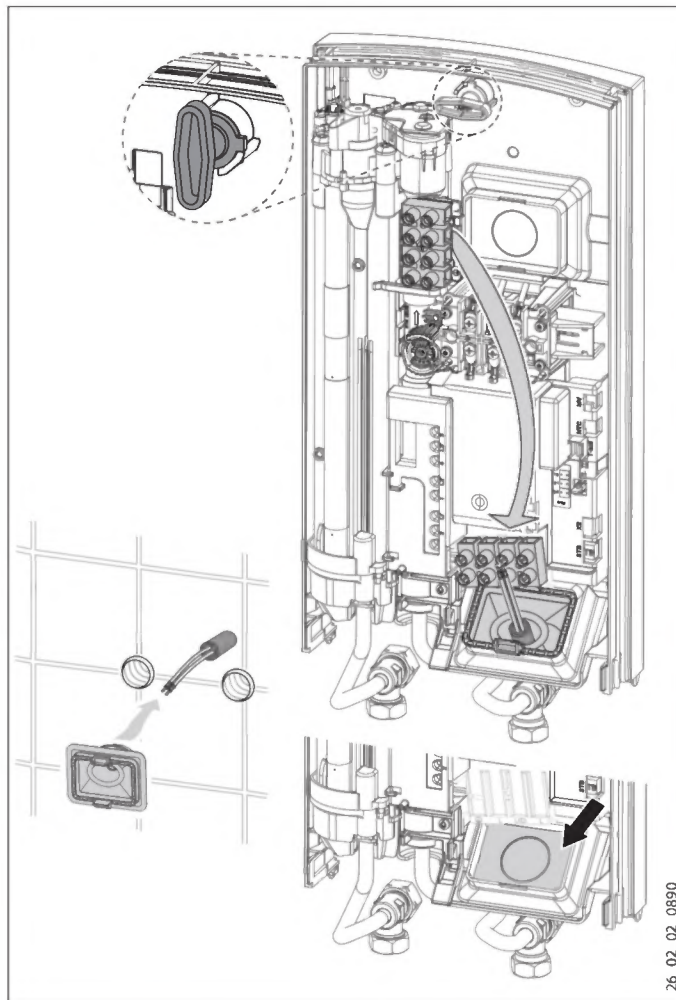
Монтаж на долната част на задната стена



- ▶ Монтирайте долната част на задната стена в задната стена и я фиксирайте.
- ▶ Нивелирайте монтирания уред, като освободите закрепващия лост, центровайте електрическата връзка и задната стена и затегнете отново закрепващия лост. Ако задната стена на уреда не приляга добре, можете да закрепите уреда в долната част с два допълнителни винта.

10.2 Алтернативи за монтаж

10.2.1 Електрическо свързване, скрита инсталация, долен монтаж



- ▶ Монтирайте кабелната муфа.



Материални щети

В случай че по невнимание отчупите неправилен отвор в задната стена, трябва да използвате нова задна стена.

- ▶ Отчупете зададеното място за отвор за кабелната муфа в задната стена. При необходимост загладете острите ръбове с пила.
- ▶ Преместете клемата за свързване към мрежата в уреда от горе долу.
- ▶ Поставете задната стена през шпилката и кабелната муфа. С помощта на клещи издърпайте фиксиращите куки на кабелната муфа в задната стена, така че двете фиксиращи куки да се фиксират с щракване.
- ▶ Притиснете задната стена неподвижно и фиксирайте закрепващия лост със завъртане надясно на 90°.

10.2.2 Електрическо свързване, открита инсталация



Указание

При този вид на свързване се променя степента на защита на уреда.

- ▶ Променете фирмената табелка. Зачеркнете „IP 25“ и отбележете с кръстче квадратчето „IP 24“. За тази цел използвайте химикал.



Материални щети

В случай че по невнимание отчупите неправилен отвор в задната стена, трябва да използвате нова задна стена.

- ▶ Изрежете или отчупете внимателно необходимия отвор в задната стена (за позициите виж глава „Технически данни / Размери и изводи за свързване“). При необходимост загладете острият ръбове с пила.
- ▶ Прекарайте свързващия кабел през кабелната муфа и го свържете към захранващата клема.

10.2.3 Свързване на разтоварващо реле

При комбинация с други електроуреди, напр. електроакмулиращи нагревателни уреди, поставете разтоварващо реле в електроразпределителното табло. Разтоварването се извършва при експлоатация на проточния водонагревател.



Материални щети

Свържете фазата, която включва разтоварващото реле, към обозначената клема за свързване към мрежата в уреда (виж глава „Технически данни / Електрически схеми“).

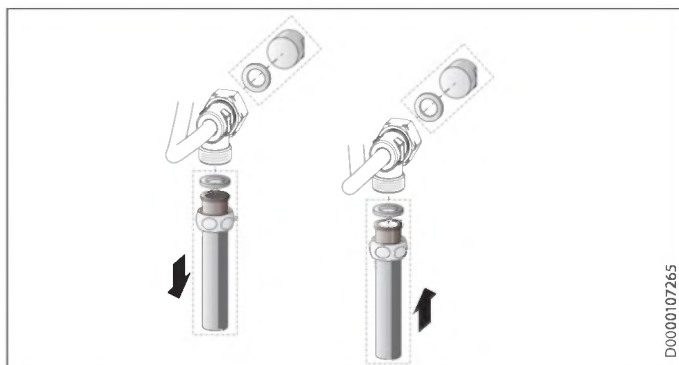
10.2.4 Свързване на водата, открита инсталация



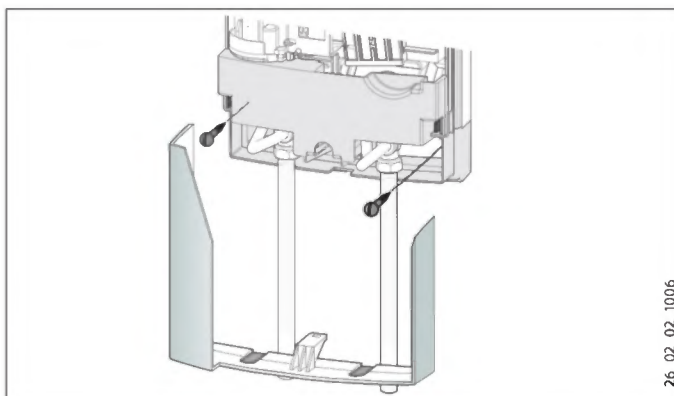
Указание

При този вид на свързване се променя степента на защита на уреда.

- ▶ Променете фирмената табелка. Зачеркнете „IP 25“ и отбележете с кръстче квадратчето „IP 24“. За тази цел използвайте химикал.



- ▶ Монтирайте водопроводните тапи с уплътнения, за да затворите връзката за скрита инсталация.
- ▶ Монтирайте подходяща арматура под налягане.



26_02_02_1006

- ▶ Закрепете задната стена в долната част с два допълнителни винта.
- ▶ Поставете долната част на задната стена под свързващите тръби на арматурата и я фиксирайте.
- ▶ Завинтете свързващите тръби към уреда.



Материални щети

В случай че по невнимание отчупите неправилен отвор в капака на уреда, трябва да използвате нов капак на уреда.

- ▶ Отчупете чисто отворите за преминаване в капака на уреда. При необходимост загладете острият ръбове с пила.

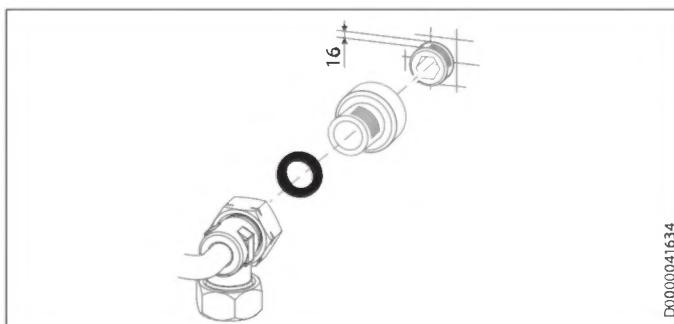
10.2.5 Свързване на водата, скрита инсталация при смяна на уреда

В случай че наличните двойни нипели на стария уред се показват само около 16 mm от стената, не можете да използвате доставените двойни нипели.



Указание

При това свързване спирането на захранването със студена вода е възможно само в сградната инсталация.



D0000041634

- ▶ Уплътнете и завийте приложените удължители за кран.
- ▶ Свържете уреда.

10.2.6 Работен режим с предварително затоплена вода

С монтиране на централна термостатна арматура се ограничава максималната входяща температура. За употреба в режим душ настройката на арматурата трябва да се извърши на макс. 55 °C.

10.3 Завършване на монтажа

- ▶ Отворете спирателния вентил в двойния нипел или хранящия тръбопровод за студена вода.

10.4 Монтаж на безжичен превключвател

С помощта на стенния държач можете да закрепите предавателя към стената.

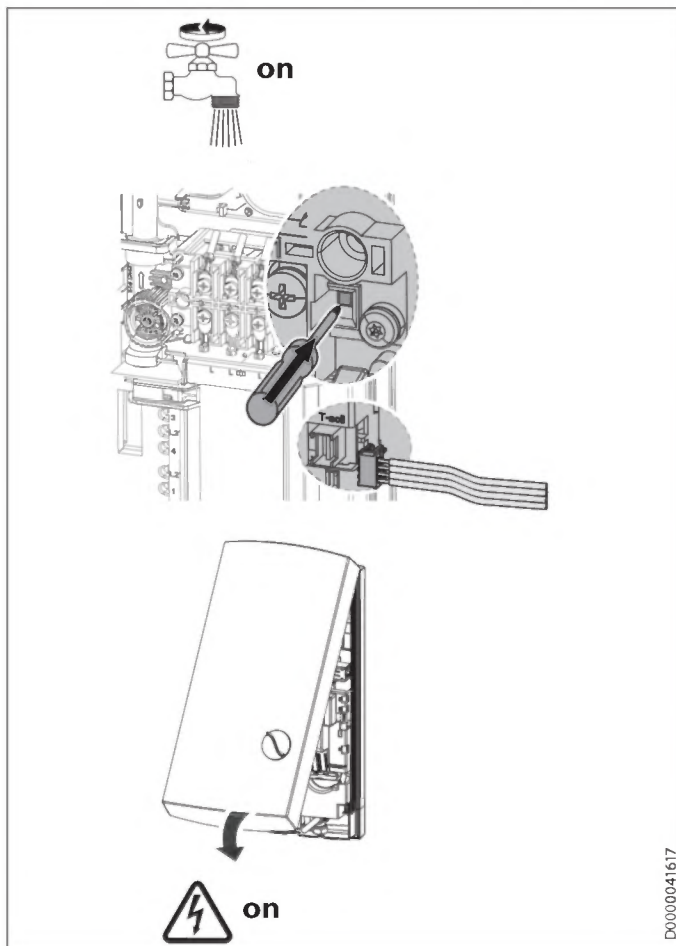
- ▶ Закрепете стенния държач към стената с приложената залепваща подложка или подходящ винт със скрита глава (Ø 3 mm или по-малък).

11. Пускане в експлоатация



ПРЕДУПРЕЖДЕНИЕ токов удар
Пускането в експлоатация трябва да се извърши само от специалист при спазване на правилата за безопасност.

11.1 Първоначално пускане в експлоатация



D0000041617

- ▶ Неколкократно отворете и затворете всички отточни кранове, докато тръбопроводът и уредът се обезвъздушат.
- ▶ Извършете проверка на уплътняването.
- ▶ Активирайте предпазния ограничител на налягането, като натиснете силно бутона за нулиране (уредът се доставя с деактивиран предпазен ограничител на налягането).
- ▶ Включете щекера на кабела на температурния регулатор в електронния блок.
- ▶ Монтирайте капака на уреда така, че да се фиксира с щракване. Проверете положението на капака на уреда.
- ▶ Включете мрежовото храняване.
- ▶ Проверете начина на работа на уреда.

Безжичен превключвател Mini-FFB

Безжичният превключвател е регистриран фабрично в уреда. В случай че при пускането в експлоатация не се извърши пренос на данни, извършете програмирането както следва:

- ▶ Превключете бутона ЕКО на осигуряващата комфорт функция „Безжичен превключвател (rc)“.
- ▶ Натиснете бутона за паметта 1 на уреда (фазата на програмиране се активира, стълбовидната индикация за напредъка на дисплея се активира).
- ▶ След това натиснете бутон на безжичния превключвател.

Защита от попарване / Ограничение на температурата

В режим Сервиз можете да настроите желано ограничение на температурата в диапазона 31 – 60 °C.

Предаване на уреда

- ▶ Обяснете на потребителя функционирането на уреда и го запознайте с употребата му.
- ▶ Обърнете внимание на потребителя за възможните опасности, особено за опасността от попарване.
- ▶ Предайте настоящото ръководство.

11.2 Повторно пускане в експлоатация

Обезвъздушете уреда и хранящия тръбопровод за студена вода (виж глава „Настройки“).

Виж глава „Първоначално пускане в експлоатация“.

12. Спиране от експлоатация

- ▶ Изключете уреда от мрежовото напрежение за всички полюси.
- ▶ Изпразнете уреда (виж глава „Техническо обслужване“).

13. Отстраняване на неизправности



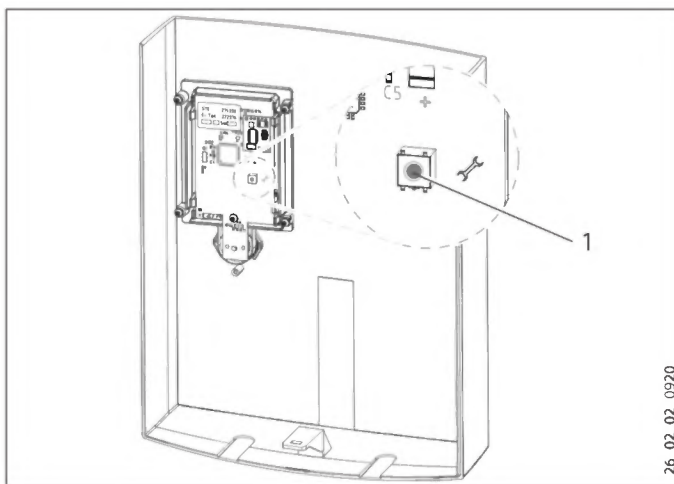
ПРЕДУПРЕЖДЕНИЕ токов удар
За да можете да проверите уреда, към него трябва да е подадено мрежово напрежение.

Повреда	Причина	Отстраняване
Дебитът е много малък.	Филтърът и/или регулаторът на струята са замърсени.	Почистете филтъра и/или регулатора на струята.
	Мотовентилът е повреден.	Проверете мотовентила. При необходимост го сменете.
Постоянно показание Error на блока за управление	Сензорът/Електрониката са повредени.	Анализирайте повредата в режим Сервиз (виж глава „Режим Сервиз“).
	Комуникацията между блока за управление и управлението е нарушена.	Проверете блока за управление и свързващия проводник.
Фоновото осветление в блока за управление е напълно изключено.	Няма мрежово напрежение.	Проверете предпазителите в сградната инсталация.
	Разкачен свързващ кабел към блока за управление	Включете свързващия кабел.
	Предпазният ограничител на налягането се е задействал.	Отстранете причината. Отворете следващия вентил за източване за 1 минута. По този начин се освобождава налягането от нагревателната система, тя се охлажда и предпазва от прегряване. Активирайте предпазния ограничител за налягането при работно налягане, за целта натиснете бутона за нулиране.
	Електрониката е повредена.	Проверете електрониката, при необходимост я сменете.
Загряването не се включва/Няма топла вода.	Нагревателната система е повредена.	Проверете нагревателната система, при необходимост я сменете.
	Дебитомерът е повреден или не е включен.	Проверете свързването. Проверете дебитомера в режим Сервиз.
	Предпазният ограничител на температурата се е задействал или е прекъснат.	Отстранете причината. Задействайте предпазния ограничител на температурата, при необходимост го сменете.
Показанието Error се появява само когато се източва вода.	Отпаднала е фаза.	Проверете предпазителите в сградната инсталация.
	Входящата температура > 45 °C.	Виж глава „Свързване на водата“, при необходимост ограничете входящата температура.
За кратко водата е студена.	Уелнес функцията е активна.	Деактивирайте уелнес функцията.
	Кратко смущение в дебита.	Уредът автоматично се включва отново в работен режим, когато е налице достатъчен дебит.
	Задейства се устройството за установяване на наличие на въздух (студена вода за около 1 min).	След известно забавяне уредът автоматично се включва отново в работен режим.

13.1 Режим Сервиз

Режимът Сервиз се активира/деактивира с бутона СЕРВИЗ на задната страна на панела за управление (трябва да е налице връзка към „Т-задад.“). С бутона ЕКО (виж глава „Настройки / Настройки в менюто ИНФО“) преминавате към следващата точка в менюто.

Съответното подменю се прелиства чрез въртене на ключа за регулиране на температурата.



1 Бутон СЕРВИЗ

13.1.1 Меню Грешки

Това меню се показва само когато е налице грешка.

Код	Значение
E1, ELEC	Електронният блок е повреден. Сменете електронния блок.
E 3, ntc	Проверете електрическата връзка към изходящия датчик. При необходимост го сменете.
E 4, mot	Проверете електрическата връзка към мотовентила. При необходимост го сменете.

13.1.2 Меню Контрол

Код	Значение
C 1, 36,5 °C	Показание за актуалната входяща температура. Ако датчикът за студена вода е повреден, се показва температура 1,0 °C.
C 2, 47,5 °C	Показание за актуалната изходяща температура. Ако изходящият датчик е повреден, се показва температура 65,0 °C.
C 3, 6,8 l/min	Показание за актуалния дебит.
C 4, 21,5 kW	Показание за актуалната консумирана мощност.

13.1.3 Меню Данни

Код	Значение
d 1, 8042	Сервизен код за сервизната служба
d 2, 2341	Време в дни, през които уредът е свързан към електрическата мрежа
d 3, 172 h	Продължителност на загряване в часове
d 4, 24 kW	Максимална мощност в kW: Тази мощност може да се различава от номиналната мощност, напр. при мрежово напрежение, различно от 400 V.

13.1.4 Защита от попарване / Ограничение на температурата - Меню

Код	Значение
OFF	Защита от попарване / Ограничение на температурата изключено.
On	Защита от попарване / Ограничение на температурата включено.
31 – 60 °C	При настройка On избираема максимална стойност на уреда

Фабрични настройки (виж глава „Технически данни“). След излизане от режима Сервиз не можете с никакво действие от панела за управление да промените настройката максимална температура.



ВНИМАНИЕ изгаряне

При работа с предварително загрята вода е възможно настроеното ограничение за температурата, респ. защитата от попарване, да не действа ефективно.

В такъв случай ограничете температурата с допълнително включена централна термостатна арматура.

14. Техническо обслужване



ПРЕДУПРЕЖДЕНИЕ токов удар

При всички работи изключвайте всички полюси на уреда от захранващата мрежа.

Изпразване на уреда

За работи по техническото обслужване можете да изпразните уреда.

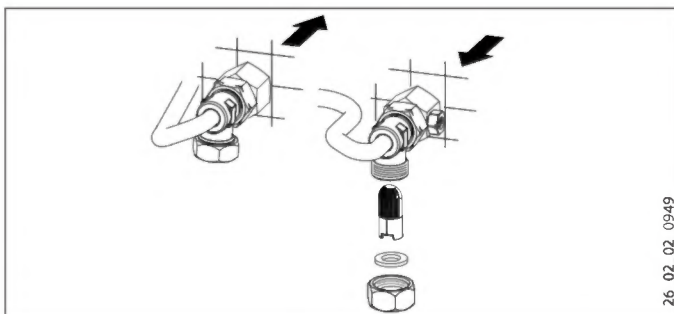


ПРЕДУПРЕЖДЕНИЕ изгаряне

При изпразването на уреда може да изтече гореща вода.

- ▶ Затворете спирателния вентил в двойния нипел или захранващия тръбопровод за студена вода.
- ▶ Отворете всички отточни кранове.
- ▶ Разединете водните съединения от уреда.
- ▶ Съхранявайте демонтирания уред на незамръзващо място, защото в уреда има остатъчна вода, която може да замръзне и да причини повреди.

Почистване на филтъра

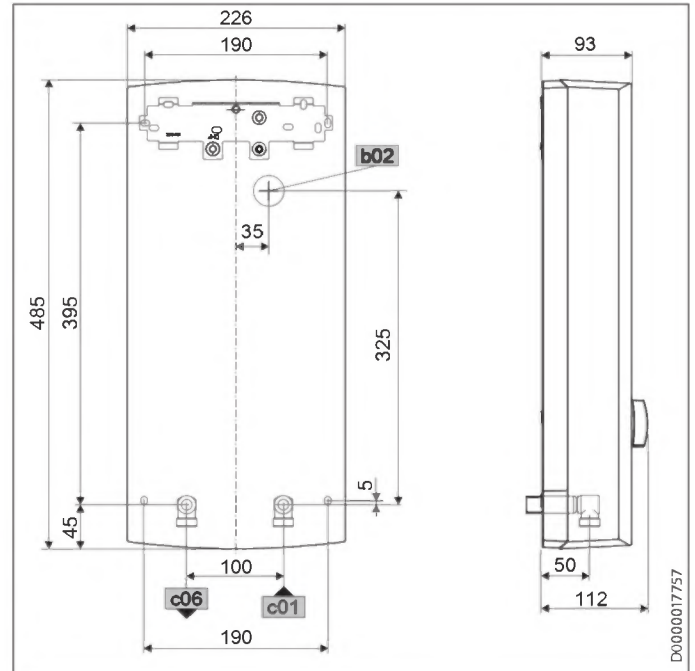


26_02_02_0949

При замърсяване почистете филтъра в резбовата връзка за студена вода. Затворете спирателния вентил в захранващия тръбопровод за студена вода, преди да демонтирате, почистите и монтирате отново филтъра.

15. Технически данни

15.1 Размери и изводи за свързване



D0000017757

b02 Прекарване на електрически проводници I

c01 Вход студена вода

Външна резба

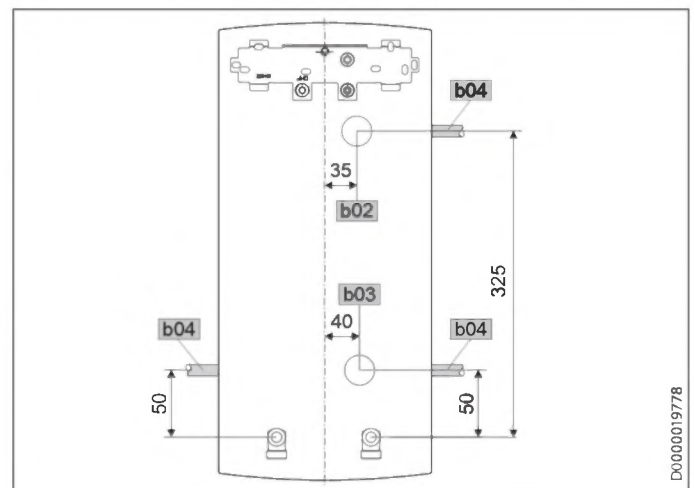
G 1/2 A

c06 Изход топла вода

Външна резба

G 1/2 A

Алтернативни възможности за свързване



D0000019778

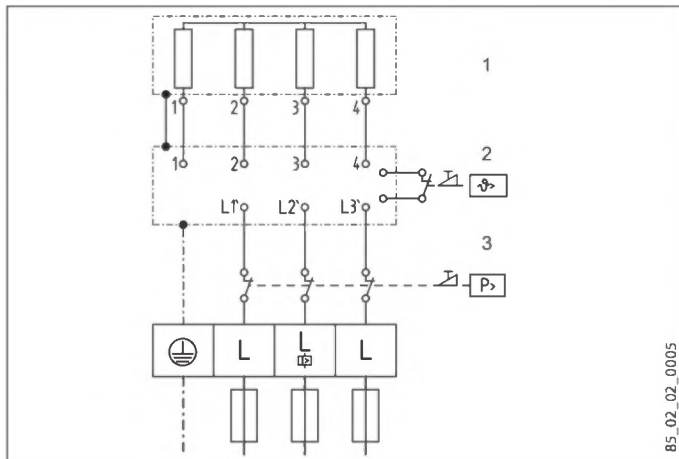
b02 Прекарване на електрически проводници I

b03 Прекарване на електрически проводници II

b04 Прекарване на електрически проводници III

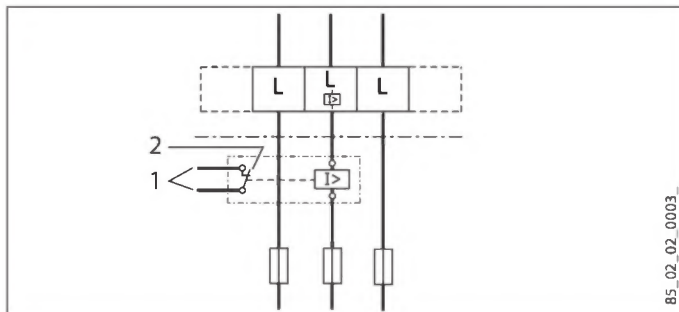
15.2 Електрически схеми

3/PE ~ 380 – 415 V



- 1 Нагревател
- 2 Предпазен температурен ограничител
- 3 Предпазен ограничител на налягането

Изходна схема с LR 1-A



- 1 Управляващ проводник към защитния контактор на 2-ия уред (например електрически акумулиращ нагревателен уред).
- 2 Управляващ контакт, отваря при включване на проточния водонагревател.

15.3 Заводски настройки

Уелнес		OFF
Автоматично регулиране на количеството вода		OFF / 80 l
ECO	ECO	38 °C / 8 l/min
Защита за деца		°C max OFF / 43.0 °C
Втори ред на дисплея		l/min
Светлина за ориентиране		OFF
Фоново осветление	синьо/ червено	100 %

15.4 Възможност за подаване на топла вода

Възможността за подаване на топла вода зависи от подаденото мрежово напрежение, инсталираната мощност на уреда и входящата температура на студената вода. Номиналното напрежение и номиналната мощност са посочени на фабричната табелка (виж глава „Отстраняване на проблеми“).

Инсталирана мощност в kW		Възможност за подаване на топла вода 38 °C в l/min.				
Номинално напрежение		Входяща температура на студената вода				
380 V	400 V	415 V	5 °C	10 °C	15 °C	20 °C
16,2			7,0	8,3	10,1	12,9
19			8,2	9,7	11,8	15,1
21,7			9,4	11,1	13,5	17,2
	18		7,8	9,2	11,2	14,3
	21		9,1	10,7	13,0	16,7
	24		10,4	12,2	14,9	19,0
		19,4	8,4	9,9	12,0	15,4
		22,6	9,8	11,5	14,0	17,9
		25,8	11,2	13,2	16,0	20,5

Инсталирана мощност в kW		Възможност за подаване на топла вода 50 °C в l/min.				
Номинално напрежение		Входяща температура на студената вода				
380 V	400 V	415 V	5 °C	10 °C	15 °C	20 °C
16,2			5,1	5,8	6,6	7,7
19			6,0	6,8	7,8	9,0
21,7			6,9	7,8	8,9	10,3
	18		5,7	6,4	7,3	8,6
	21		6,7	7,5	8,6	10,0
	24		7,6	8,6	9,8	11,4
		19,4	6,2	6,9	7,9	9,2
		22,6	7,2	8,1	9,2	10,8
		25,8	8,2	9,2	10,5	12,3

15.5 Работни диапазони / Таблица за произчисляване

Специфично електрическо съпротивление и специфична електропроводимост (виж глава „Таблица с данни“).

норма при 15 °C			20 °C			25 °C		
Съпро- тивле- ние $\rho \geq$	Електропро- водимост $\sigma \leq$	$\mu S/cm$	Съпро- тивле- ние $\rho \geq$	Електропро- водимост $\sigma \leq$	$\mu S/cm$	Съпро- тивле- ние $\rho \geq$	Електропро- тивле- водимост $\sigma \leq$	$\mu S/cm$
Ωcm	mS/m	$\mu S/cm$	Ωcm	mS/m	$\mu S/cm$	Ωcm	mS/m	$\mu S/cm$
900	111	1111	800	125	1250	735	136	1361
1000	100	1000	890	112	1124	815	123	1227

15.6 Загуби на налягане

Арматури

Загуби на налягане на арматурите при обемен поток 10 l/min	
Смесител за обслужване с една ръка, около	MPa 0,04 - 0,08
Термостатна арматура, ок.	MPa 0,03 - 0,05
Ръчен душ, ок.	MPa 0,03 - 0,15

Оразмеряване на тръбната мрежа

За изчисляване на оразмеряването на тръбната мрежа за уреда се препоръчва загуба на налягане от 0,1 MPa.

ИНСТАЛИРАНЕ

Технически данни

15.7 Условия на аварии

В случай на авария в инсталацията могат кратковременно да възникнат натоварвания от максимум 95 °C при налягане от 1,2 MPa.

15.8 Данни за енергопотреблението

Продуктова спецификация: Конвенционални водоподгреватели съгласно Регламент (ЕС) № 812/2013 | 814/2013

		PER 18/21/24	
		233990	
Производител		STIEBEL ELTRON	
Профил на натоварването		S	
Клас на енергийна ефективност		A	
Енергийна ефективност	%	39	
Годишен разход на електроенергия	kWh	478	
Фабрична настройка на температурата	°C	60	
Ниво на шума	dB(A)	15	
Специални указания за измерване на ефективността		Данни при P _{max} .	
Дневен разход на електроенергия	kWh	2,199	

15.9 Таблици с данни

		PER 18/21/24		
		233990		
Електрически данни				
Номинално напрежение	V	380	400	415
Номинална мощност	kW	16,2/19/21,7	18/21/24	19,4/22,6/25,8
Номинален ток	A	27,6/29,5/33,3	29/31/35	30,1/32,2/36,3
Защита с предпазители	A	32/32/35	32/32/35	32/32/40
Честота	Hz	50/60	50/60	50/-
Фази				3/PE
Макс. импеданс на мрежата при 50 Hz	Ω	0,284	0,270	0,260
Специфична електропроводимост $\sigma_{15} \leq$ (при студена вода ≤ 25 °C)	$\mu\text{S/cm}$	1111	1111	1000
Специфично съпротивление $\rho_{15} \geq$ (при студена вода ≤ 25 °C)	$\Omega \text{ cm}$	900	900	1000
Специфично съпротивление $\rho_{15} \geq$ (при студена вода ≤ 45 °C)	$\Omega \text{ cm}$	1200	1200	1300
Специфична електропроводимост $\sigma_{15} \leq$ (при студена вода ≤ 45 °C)	$\mu\text{S/cm}$	830	830	770
Връзки				
Свързване към водопроводната инсталация				G 1/2 A
Граници на работния диапазон				
Макс. допустимо налягане	MPa			1
Макс. температура на подаване на предварително затоплена вода	°C			45
Стойности				
Макс. допустима входяща температура	°C			60
Включване	l/min			>2,5
Загуба на налягане при обемен поток	MPa			0,08/0,1/0,13
Обемен поток за загуба на налягане	l/min			5,2/6,0/6,9
Подаване на топла вода	l/min			9,4/11,0/12,6
Δθ при подаване	K			26
Хидравлични данни				
Номинален обем	l			0,4
Изпълнения				
Избираема мощност за присъединяване				X
Настройка на температурата	°C			30-60
Изолиращ блок				Пластмаса
Нагревателна система отоплителен уред				Открит нагревател
Капак и задна стена				Пластмаса
Цвят				бял
Степен на защита (IP)				IP25
Размери				
Височина	mm			485
Широчина	mm			226
Дълбочина	mm			93
Тегла				
Тегло	kg			3,8

Технически данни



Указание

Уредът съответства на IEC 61000-3-12.

		Мини FFB
Размер (В/Ш/Д) без стенен държач	mm	50/50/17
Радиочестота	MHz	868,3
Радиус на действие в сградата включително етажна подова конструкция	m	около 25
Диапазон за настройка на температурата	°C	30-60
Степен на защита съгласно EN 60529	Душ Вана	IP X5 IP X7
Батерия тип		1 x CR 2032

Гаранция

За закупените извън Германия уреди не важат гаранционните условия на нашите немски дружества. По-конкретно, в страни, в които нашите продукти се продават от наше дъщерно дружество, ще бъде предоставена гаранция само от това дъщерно дружество. Такава гаранция се предоставя само ако дъщерното дружество е съставило свои собствени гаранционни условия. В допълнение към това не се предоставят друга гаранция.

За уреди, които са закупени в държави, в които няма наши дъщерни дружества продаващи нашите продукти, ние не предоставяме гаранция. Настоящото не касае евентуалните предоставяни от вносителя гаранции.

Околна среда и рециклиране

Подкрепете усилията за опазване на околната среда. След употреба, изхвърляйте материалите в съответствие с националните предписания.

СПЕЦИАЛЬНЫЕ УКАЗАНИЯ

ЭКСПЛУАТАЦИЯ

1. Общие указания	118
1.1 Указания по технике безопасности	118
1.2 Другие обозначения в данной документации	118
1.3 Единицы измерения	118
2. Техника безопасности	118
2.1 Использование по назначению	118
2.2 Общие указания по технике безопасности	119
2.3 Знак технического контроля	119
3. Описание устройства	119
4. Настройки	120
4.1 Настройки и индикация на приборе	120
4.2 Настройки в меню ИНФОРМАЦИЯ	121
4.3 Настройка с помощью пульта дистанционного управления	123
4.4 Дополнительные функции	123
4.5 Рекомендации по регулированию	123
5. Чистка, уход и техническое обслуживание	123
6. Устранение неисправностей	124

УСТАНОВКА

7. Техника безопасности	125
7.1 Общие указания по технике безопасности	125
7.2 Режим душа	125
7.3 Предписания, стандарты и положения	125
8. Описание устройства	125
8.1 Комплект поставки	125
9. Подготовительные мероприятия	126
9.1 Место монтажа	126
9.2 Водопроводные работы	126
10. Монтаж	126
10.1 Стандартный	126
10.2 Варианты монтажа	129
10.3 Завершение монтажа	131
10.4 Монтаж пульта дистанционного управления	131
11. Ввод в эксплуатацию	131
11.1 Первый ввод в эксплуатацию	131
11.2 Повторный ввод в эксплуатацию	132
12. Вывод из эксплуатации	132
13. Поиск и устранение неисправностей	132
13.1 Режим сервисного обслуживания	133
14. Техническое обслуживание	133
15. Технические характеристики	134
15.1 Размеры и подключения	134
15.2 Электрические схемы	134
15.3 Заводские настройки	135
15.4 Производительность по горячей воде	135
15.5 Рабочие диапазоны / Таблица пересчета данных	135
15.6 Потери давления	135
15.7 Возможные неисправности	135
15.8 Характеристики энергопотребления	135
15.9 Таблицы параметров	136

ГАРАНТИЯ

ЗАЩИТА ОКРУЖАЮЩЕЙ СРЕДЫ И УТИЛИЗАЦИЯ

СПЕЦИАЛЬНЫЕ
УКАЗАНИЯ

- Детям старше 3 лет, а также лицам с ограниченными физическими и умственными способностями, не имеющим опыта и не владеющим информацией о приборе, разрешено использовать прибор только под присмотром других лиц или после соответствующего инструктажа о правилах безопасного пользования и потенциальной опасности в случае несоблюдения этих правил. Не допускать шалостей детей с прибором. Дети могут выполнять чистку прибора и те виды технического обслуживания, которые обычно производятся пользователем, только под присмотром взрослых.
- Арматура может нагреваться до температуры 60 °С. При температуре воды на выходе выше 43 °С существует опасность обваривания.
- Прибор подходит для снабжения горячей водой душа (режим душа). Если прибор будет периодически или постоянно использоваться в режиме душа, специалист должен ограничить диапазон настройки температуры (задать ограничение 55 °С или ниже) в приборе. При использовании предварительно подогретой воды необходимо убедиться, что температура подачи не будет превышать 55 °С.
- Прибор должен отключаться от сети с размыканием всех контактов на всех полюсах и изолированием на расстоянии не менее 3 мм.
- Напряжение сети должно совпадать с указанным на табличке.
- Прибор необходимо подключить к проводу заземления.
- Прибор должен быть подключен к стационарной электрической проводке.

- Закрепить прибор, как описано в главе «Установка / Монтаж».
- Убедиться, что давление соответствует максимально допустимому (см. главу «Установка / Технические характеристики / Таблица параметров»).
- Удельное электрическое сопротивление воды не должно быть ниже указанного на заводской табличке (см. главу «Установка / Технические характеристики / Таблица параметров»).
- При опорожнении прибора следовать указаниям главы «Установка / Техническое обслуживание / Опорожнение прибора».

ЭКСПЛУАТАЦИЯ

1. Общие указания

Главы «Специальные указания» и «Эксплуатация» предназначены для пользователя и специалиста.

Глава «Установка» предназначена для специалиста.



Указание

Перед началом эксплуатации следует внимательно прочитать данное руководство и сохранить его. При необходимости передать настоящее руководство следующему пользователю.

1.1 Указания по технике безопасности

1.1.1 Структура указаний по технике безопасности



СИГНАЛЬНОЕ СЛОВО Вид опасности

Здесь приведены возможные последствия несоблюдения указания по технике безопасности.

- Здесь приведены мероприятия по предотвращению опасности.

1.1.2 Символы, вид опасности

Символ	Вид опасности
	Травма
	Поражение электрическим током
	Ожог (ожог, обваривание)

1.1.3 Сигнальные слова

СИГНАЛЬНОЕ СЛОВО	Значение
ОПАСНОСТЬ	Указания, несоблюдение которых приводит к серьезным травмам или к смертельному исходу.
ПРЕДУПРЕЖДЕНИЕ	Указания, несоблюдение которых может привести к серьезным травмам или к смертельному исходу.
ОСТОРОЖНО	Указания, несоблюдение которых может привести к травмам средней тяжести или к легким травмам.

1.2 Другие обозначения в данной документации



Указание

Общие указания обозначены приведенным рядом с ними символом.

- Следует внимательно прочитать тексты указаний.

Символ	Значение
	Материальный ущерб (повреждение оборудования, косвенный ущерб и ущерб окружающей среде)
	Утилизация устройства

- Этот символ указывает на необходимость выполнения определенных действий. Описание необходимых действий приведено шаг за шагом.

1.3 Единицы измерения



Указание

Если не указано иное, все размеры приведены в миллиметрах.

2. Техника безопасности

2.1 Использование по назначению

Прибор напорного типа предназначен для нагрева водопроводной воды или дополнительного подогрева воды, нагретой ранее. Прибор может обеспечивать одну или несколько точек отбора.

Прибор предназначен для бытового использования. Для его безопасного обслуживания пользователю не требуется проходить инструктаж. Возможно использование прибора не только в быту, но и, например, на предприятиях малого бизнеса при условии соблюдения тех же условий эксплуатации.

Любое иное или не указанное в настоящем руководстве использование данного устройства считается использованием не по назначению. Использование по назначению подразумевает соблюдение требований настоящего руководства, а также руководств к используемым принадлежностям.

2.2 Общие указания по технике безопасности



Указание

Пульт дистанционного управления температурой работает от литиевого элемента питания. Следует извлекать отработавшие элементы питания из пульта. В результате вытекания электролита из элемента питания возможен ущерб, за который мы не несем ответственности. Запрещается перезаряжать перезаряжаемые элементы питания. Не допускается использование перезаряжаемых элементов питания и аккумуляторов. Если прибор не используется в течение длительного времени, необходимо извлечь элементы питания (см. главу «Устранение неисправностей / Замена элементов питания в пульте дистанционного управления температурой»).



ОСТОРОЖНО ожог

Арматура может нагреваться до температуры 60 °С. При температуре воды на выходе выше 43 °С существует опасность обваривания.



ОСТОРОЖНО ожог

В режиме эксплуатации с использованием предварительно подогретой воды, например, из солнечной установки, температура приготовленной горячей воды может отклоняться от заданной температуры.



ПРЕДУПРЕЖДЕНИЕ травма

Детям старше 3 лет, а также лицам с ограниченными физическими и умственными способностями, не имеющим опыта и не владеющим информацией о приборе, разрешено использовать прибор только под присмотром других лиц или после соответствующего инструктажа о правилах безопасного пользования и потенциальной опасности в случае несоблюдения этих правил. Не допускать шалостей детей с прибором. Дети могут выполнять чистку прибора и те виды технического обслуживания, которые обычно производятся пользователем, только под присмотром взрослых.

Если прибором пользуются дети или лица с ограниченными физическими, сенсорными и умственными способностями, рекомендуется установить режим постоянного ограничения температуры. Выполнить данную настройку может специалист.



Материальный ущерб

Пользователь должен обеспечить защиту прибора и смесителя от замерзания.

2.3 Знак технического контроля

См. заводскую табличку на приборе.



Евразийское соответствие

Данный прибор соответствует требованиям безопасности технических регламентов Евразийского Экономического Союза ТР ТС 004/2011, ТР ТС 020/2011 и прошел соответствующие процедуры подтверждения соответствия. Сертификат соответствия № ЕАЭС RU С-DE.АЯ46.В.18483/21, срок действия с 12.03.2021 г. по 11.03.2026 г. Орган по сертификации «РОСТЕСТ-Москва» АО «Региональный орган по сертификации и тестированию».

3. Описание устройства

Прибор подогревает проходящую через него воду. С помощью ручки регулятора температуры можно плавно изменять температуру горячей воды на выходе. При определенном объеме потока система регулирования включает нужную мощность нагрева в зависимости от установленной температуры и температуры холодной воды.

При низкой температуре воды на входе и при установленной высокой температуре поток воды автоматически уменьшается управляемым запорным клапаном. В результате гарантируется стопроцентное поддержание нужной температуры воды. При использовании предварительно подогретой воды с температурой более 45 °С на дисплее появляется индикация ERROR.

Для быстрого вызова можно сохранить два разных значения температуры. При экономном режиме объем потока снижается до экономного и устанавливается заданная для экономного режима температура. В приборе также предусмотрены защита от детей, программа режима здоровья, автоматическое регулирование расхода воды, а также динамическая защита от получения ожога и возможность постоянного ограничения температуры. Фоновая подсветка дисплея прибора может служить и для ориентации в помещении.

Нагревательная система

Нагревательная система с открытым нагревательным элементом защищена герметичным пластиковым корпусом. Нагревательная система пригодна для мягкой и жесткой воды, так как она практически невосприимчива к образованию накипи. Нагревательная система обеспечивает быстрое и эффективное снабжение горячей водой.

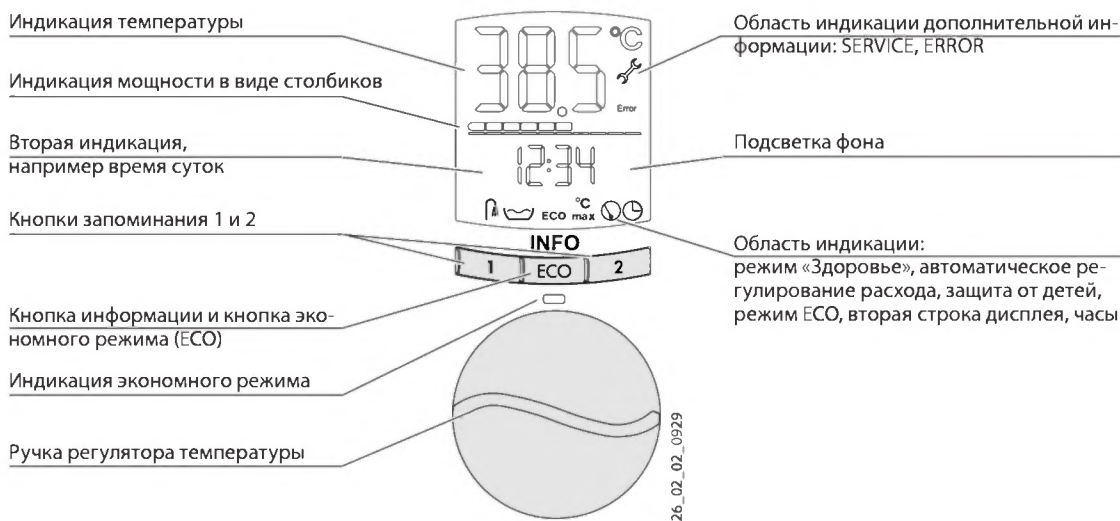


Указание

Прибор оснащен системой обнаружения воздуха, которая предотвращает повреждение системы нагрева. Если во время эксплуатации прибора в него попадает воздух, прибор отключает нагрев на одну минуту, защищая тем самым свою нагревательную систему.

4. Настройки

4.1 Настройки и индикация на приборе



Область индикации

	Режим «Здоровье»		Вторая строка
	Автоматический контроль расхода воды		Часы
ECO	Экономный режим		Подсветка
°C max	Защита от детей		

Область индикации дополнительной информации

► В случае появления указанных ниже символов следует обратиться к специалисту.

Error	Ошибка
	Сервис

4.1.1 Настройка температуры

С помощью поворотной ручки регулятора температуры можно плавно задавать нужную температуру. Заданная температура отображается на дисплее.

	Эксплуатация	Индикатор
	Выбор температуры в пределах 30-60 °C, бесступенчатая регулировка	Например: 43 °C
		OFF = нагрев выключен

4.1.2 Кнопки памяти

С помощью кнопок памяти можно быстро вызвать два заданных значения температуры. Температура задается пользователем.

Присвоение значений кнопкам памяти

	Выбрать температуру в пределах 30-60 °C, которую нужно сохранить	Например: 38 °C.
	Нажать и в течение 3 секунд удерживать кнопку 1 или 2	Например: 38 и 43 °C Индикатор однократно мигает, температура сохранена

Вызов значений с помощью кнопок памяти

	Нажать кнопку 1 или 2	Например: 38 и 43 °C
--	-----------------------	----------------------

4.1.3 Переход в режим ECO и выход из него

С помощью кнопки ECO включается или выключается экономный режим. При включении экономного режима под кнопкой загорается зеленый светодиод. Кроме того, отображается символ ECO.

При экономном режиме объем потока снижается до экономного и устанавливается заданная для экономного режима температура. Оба значения можно регулировать в меню ИНФОРМАЦИЯ.



Указание

Любое изменение температуры на приборе (с помощью ручки регулятора или кнопок памяти) приводит к выходу из режима ECO. Повторное включение экономного режима осуществляется по мере необходимости.

При выборе температуры с помощью пульта дистанционного управления экономный режим автоматически включается также после завершения отбора воды.

	Нажатие кнопки ECO: Выбор экономного режима	ECO	Светится зеленый светодиод.
	Нажатие кнопки ECO: Отмена экономного режима	ECO	Светодиод не светится

4.2 Настройки в меню ИНФОРМАЦИЯ

Кнопка ECO служит для перехода в меню ИНФОРМАЦИЯ, где можно индивидуально настраивать функции комфорта и (или) просматривать другие значения. Здесь можно настраивать температуру и расход для режима ECO, активировать защиту от детей, режим «Здоровье», автоматическое регулирование расхода. С помощью кнопки ECO можно также устанавливать яркость дисплея и включать подсветку для ориентации.

Для доступа к вариантам настройки следует нажать кнопку ECO и удерживать ее более трех секунд.

При каждом последующем нажатии кнопки ECO осуществляется переход к очередной функции.

После вызова нужной функции можно изменять ее настройки, поворачивая ручку регулятора температуры.

	Эксплуатация	Индикатор
Вход в меню		
	Нажать и 3 с удерживать кнопку ECO	ECO 38 °C

Все внесенные в меню ИНФОРМАЦИЯ изменения сразу же активируются.

Выход из меню		
	Нажать и 3 с удерживать кнопку ECO.	Выбранные параметры

После 40 секунд бездействия пользователя меню ИНФОРМАЦИЯ закрывается.

4.2.1 Режим ECO

Установка температуры для режима ECO

	Нажать и 3 с удерживать кнопку ECO	ECO 38 °C
	Установить температуру, диапазон: 30-60 °C	Например: 40 °C

Установка расхода для режима ECO

	Нажать и 3 с удерживать кнопку ECO	ECO 38 °C
	Кратковременно нажать кнопку ECO	ECO 8,0 л/мин.
	Задать расход 4-15 л/мин	ECO Например: 6,0 л/мин

4.2.2 Настройка яркости синей и красной фоновой подсветки

Дисплей на приборе оснащен подсветкой фона. При заданной температуре до 42,5 °C фоновая подсветка светится синим цветом, при заданной температуре от 43,0 °C цвет меняется на красный.

Фон дисплея светится в случае нажатия кнопок и поворота ручки регулятора температуры, а также в случае, если расход воды превышает требуемое для включения количество.

При отсутствии действий в течение 30 секунд фоновая подсветка отключается (при условии, что отключена ночная подсветка).

Если вода отбирается дольше 15 минут, яркость уменьшается (только если задано > 20 %).

Яркость красной и синей подсветки можно настраивать отдельно в пять ступеней.

	Нажать и 3 с удерживать кнопку ECO	ECO 38 °C
	Несколько раз кратковременно нажать кнопку ECO	синий красный
	Выбрать яркость для синего и красного цветов	100 % 20 %

4.2.3 Включение и выключение подсветки для ориентации в помещении

Подсветка фона предназначена для лучшей ориентации в темных помещениях. Для этого можно перевести подсветку в режим непрерывной работы. Ночная подсветка включается с интенсивностью, равной интенсивности фоновой подсветки.

	Нажать и 3 с удерживать кнопку ECO	ECO 38 °C
	Несколько раз кратковременно нажать кнопку ECO	OFF
	Выбрать значение OFF или ON	OFF: выкл. ON: вкл.

4.2.4 Включение, выключение и настройка защиты от детей

На приборе можно включить максимальную температуру.

	Нажать и 3 с удерживать кнопку ECO	ECO 38 °C
	Несколько раз кратковременно нажать кнопку ECO	°C OFF max
	Выбрать значение OFF или ON	OFF: выкл. ON: вкл.
	Кратковременно нажать кнопку ECO	°C 43 °C max
	Настройка температуры	°C Например: 36 °C max

4.2.5 Включение и выключение режима «Здоровье»

Для режима «Здоровье» можно выполнить такую настройку: температура горячей воды после трех минут ее отбора будет падать на 10 °С, а затем через 10 секунд вновь повышаться. Спустя еще 10 секунд температура снова будет падать на 10 °С, а затем через 10 секунд опять повышаться. Такое чередование температур осуществляется до завершения отбора горячей воды.

	Нажать и 3 с удерживать кнопку ECO	ECO 38 °С
	Несколько раз кратковременно нажать кнопку ECO	OFF
	Выбрать значение OFF или ON	OFF: выкл. ON: вкл.

4.2.6 Включение, выключение и настройка автоматического регулирования расхода

Автоматическое регулирование расхода можно настроить так, чтобы после отбора определенного количества воды расход уменьшался примерно до 4 л/мин. Таким способом можно регулировать расход воды и, соответственно, длительность приема душа. Включенное автоматическое регулирование расхода действует только для следующего отбора воды.

	Нажать и 3 с удерживать кнопку ECO.	ECO 38 °С
	Несколько раз кратковременно нажать кнопку ECO.	OFF
	Выбрать значение OFF или ON	OFF: выкл. ON: вкл.
	При выбранном значении ON кратковременно нажать кнопку ECO	80 л
	Установка объема воды	Например: 150 л 5-200 л

4.2.7 Выбор информации, отображаемой во второй строке дисплея

Можно выбрать, какая информация будет отображаться во второй строке дисплея.

- л/мин Объем потока
- кВт*ч Потребление энергии (показатель этого счетчика можно обнулять)
- м³ Объем воды (показатель этого счетчика можно обнулять)
- Часы Время (после перебоев электроснабжения время нужно установить заново)

	Нажать и 3 с удерживать кнопку ECO	ECO 38 °С
	Несколько раз кратковременно нажать кнопку ECO	
	Выбрать значение, отображаемое во второй строке	Выбранная отображаемая информация

Обнуление счетчика потребления энергии и объема воды

	Когда на дисплее появится 0 показатель соответствующего счетчика, одновременно нажать кнопки 1 и 2 в меню ИНФОРМАЦИЯ	
--	--	--

4.2.8 Установка времени

	Нажать и 3 с удерживать кнопку ECO	ECO 38 °С
	Несколько раз кратковременно нажать кнопку ECO	
	Выбрать время	Например, 12:15 Примечание: после перебоев электроснабжения время нужно установить заново

4.2.9 Пульт дистанционного управления: поиск, регистрация и удаление

Прибором можно управлять с помощью пульта дистанционного управления. Передатчик непроницаем для воды и может использоваться во время приема душа или купания. Можно использовать комбинации из четырех кнопок. С помощью пульта дистанционного управления можно управлять температурой прибора на расстоянии (например, от кухонной мойки).

Пульт дистанционного управления имеет четыре кнопки для выбора температуры (две кнопки для вызова фиксированных температур 38 и 55 °С; кнопки «плюс» и «минус» для изменения температуры с шагом 0,5 °С). При передаче сигналов на прибор на пульте дистанционного управления светится красный светодиод.

Когда прибор работает в режиме ECO, при нажатии любой кнопки на пульте управления экономный режим отключается до следующего отбора воды. Через две минуты после завершения отбора прибор возвращается в экономный режим.

Если прибор находится в стандартном режиме, то с помощью пульта дистанционного управления возможна установка постоянной температуры.

Поиск пультов дистанционного управления с прибора

	Нажать и 3 с удерживать кнопку ECO	ECO 38 °С
	Несколько раз кратковременно нажать кнопку ECO	rc 1—4 Количество зарегистрированных пультов дистанционного управления (rc: remote control)

Регистрация пульта дистанционного управления на приборе

	Нажать и 3 с удерживать кнопку ECO	ECO 38 °С
	Несколько раз кратковременно нажать кнопку ECO	rc 1
	Нажатие кнопки 1: активация процесса запоминания Нажать любую кнопку на пульте дистанционного управления.	Запустится линейный индикатор. Зеленый светодиод будет мигать. rc 2 Линейный индикатор погаснет. Пульт дистанционного управления распознан

Удаление зарегистрированного пульта дистанционного управления

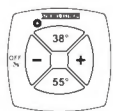
	Нажать и 3 с удерживать кнопку ECO	ECO 38 °C
	Несколько раз кратковременно нажать кнопку ECO	rs 2
	В режиме rs нажать кнопку 2	rs 0: Все зарегистрированные пульты дистанционного управления удалены

4.2.10 Восстановление заводской конфигурации

	Одновременно нажать и 2 с удерживать кнопки 1 и 2.	Подтверждением приема команды послужит мигание дисплея.
--	--	---

Функция защиты от обваривания и зарегистрированные пульты дистанционного управления не сбрасываются (установленные на заводе значения параметров см. в главе «Технические характеристики»).

4.3 Настройка с помощью пульта дистанционного управления



Нажать кнопку «38 °»	38 °C
Нажать кнопку «55 °»	55 °C
Нажать «+»	Однократное нажатие: заданное значение увеличивается на 0,5 °C.
Нажать «-»	Однократное нажатие: заданное значение уменьшается на 0,5 °C.

С помощью пульта дистанционного управления можно выключить нагревательную систему прибора. Для этого следует нажать и как минимум 3 с удерживать кнопку «минус». Для повторного включения достаточно нажать на любую кнопку.

4.4 Дополнительные функции

4.4.1 Динамическая защита от обваривания

Прибор оснащен динамической защитой от получения ожога горячей водой. Пользователь, первым выбравший температуру на приборе или пульте дистанционного управления, устанавливает эту температуру для последующего отбора горячей воды. Другие пользователи в течение следующих двух минут последующего отбора горячей воды или в течение следующих двух минут после завершения отбора горячей воды не смогут увеличить температуру выше 43 °C.

4.4.2 Защита от обваривания

Специалист может задать действующее на постоянной основе ограничение температуры (см. главу «Устранение неисправностей / Режим сервисного обслуживания»). Это позволяет предотвратить выход из прибора воды с опасной для людей температурой.

4.5 Рекомендации по регулированию

Экономия энергии

Меньше всего энергии требуется для следующих, рекомендованных нами, настроек:

- 38 °C для умывальника, душа, ванны,
- 55 °C для кухонной мойки

Термостатический смесительный клапан

При эксплуатации прибора с термостатическим смесителем мы рекомендуем установить на приборе максимальную температуру (повернуть ручку регулятора в положение «60 °C»). После этого нужная температура устанавливается на термостатическом смесителе.

После отключения подачи воды



Материальный ущерб

После отключения водоснабжения при повторном включении прибора следует выполнить указанные далее шаги. Это поможет избежать повреждения нагревательной системы с открытым нагревательным элементом.

- ▶ Обесточить прибор, отключив предохранители.
- ▶ Открыть вентиль смесителя на одну минуту, пока из прибора и линии подачи холодной воды не будет удален весь воздух.
- ▶ Возобновить подачу сетевого напряжения.

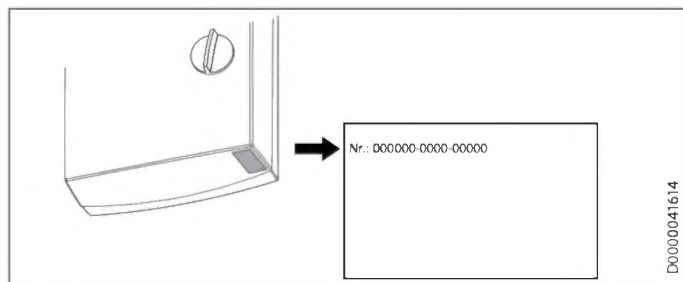
5. Чистка, уход и техническое обслуживание

- ▶ Не использовать абразивные или едкие чистящие средства. Для ухода за прибором и очистки корпуса достаточно влажной тканевой салфетки.
- ▶ Необходимо регулярно проверять смесители. Известковые отложения на изливе смесителя можно удалить с помощью имеющихся в продаже средств для удаления накипи.

6. Устранение неисправностей

Проблема	Причина	Способ устранения
Прибор не включается, несмотря на полностью открытый кран горячей воды.	Отсутствует напряжение.	Проверить предохранители домашней электросети.
	Загрязнение или известкование регулятора струи или душевой лейки.	Очистить регулятор струи или душевую лейку и / или удалить известковый налет.
Не осуществляется нагрев до температуры, заданной > 45 °C.	Водоснабжение отключено.	Удалить воздух из прибора и трубопровода подачи холодной воды (см. главу «Настройки»).
	Температура холодной воды на входе превышает 45 °C.	Уменьшить температуру холодной воды на подаче.
Очень слабый поток воды.	Включен экономный режим и поток в этом режиме установлен на очень маленькое значение.	Увеличьте значение потока в экономном режиме.
Не удается установить температуру выше 43 °C.	Включена динамическая защита от обваривания.	Отключается автоматически через две минуты после завершения отбора воды.

Если невозможно устранить эту неисправность самостоятельно, нужно пригласить специалиста. Чтобы специалист смог оперативно помочь, необходимо сообщить ему номер прибора с заводской таблички (000000-0000-00000).



Замена элемента питания пульта дистанционного управления

Проблема	Причина	Способ устранения
Светодиод на пульте дистанционного управления мигает во время и после передачи сигналов.	Разрядился элемент питания в пульте дистанционного управления.	Замените батарейку.



Материальный ущерб

▶ Отработавший элемент питания необходимо извлечь из пульта. Мы не несем ответственности за ущерб, наступивший вследствие вытекания элемента питания.

- ▶ Открыть корпус пульта дистанционного управления, вывернув два винта с задней стороны и отжав корпус.
- ▶ Заменить элемент питания, тип которого указан в главе «Технические характеристики / Таблица параметров».



Указание

Плюсовой полюс элемента питания должен быть обращен в противоположную от платы сторону.

- ▶ Закрывать корпус. При этом обратить внимание на положение пазов в крышке корпуса. Пазы определяют правильное положение крышки и обеспечивают герметичность корпуса.



Утилизация элемента питания

Элементы питания запрещено утилизировать с бытовыми отходами. Отработавшие элементы питания могут содержать вредные вещества, способные причинить вред окружающей среде и здоровью. Для утилизации отработавших элементов питания их необходимо сдавать в торговые организации или в пункты сбора вредных отходов.

УСТАНОВКА

7. Техника безопасности

Установка, ввод в эксплуатацию, а также техническое обслуживание и ремонт прибора должны производиться только квалифицированным специалистом.

7.1 Общие указания по технике безопасности

Безупречная работа прибора и эксплуатационная безопасность гарантируются только при использовании соответствующих оригинальных принадлежностей и оригинальных запчастей.

**Материальный ущерб**

Необходимо учитывать максимально допустимое значение температуры подачи. При более высоких температурах подачи возможно повреждение прибора. При установке центрального термостатического смесителя максимальную температуру подаваемой воды можно ограничить.

**ПРЕДУПРЕЖДЕНИЕ поражение электрическим током**

В настоящем приборе имеются конденсаторы, которые разряжаются после отключения от сети электропитания. Напряжение разряда конденсатора может в ряде случаев кратковременно достигать уровня > 60 В пост. тока.

7.2 Режим душа

**ОСТОРОЖНО ожог**

► При подготовке воды для душа внутреннее ограничение температуры необходимо установить на уровне 55 °С или ниже (см. главу «Описание прибора / Режим сервисного обслуживания / Меню защиты от обваривания и ограничения температуры»).

**ОСТОРОЖНО ожог**

При подаче в прибор предварительно нагретой воды нужно соблюдать следующее указание: Внутреннее ограничение температуры периодически может превышаться.

► Ограничить температуру следует с помощью предустановленного центрального термостатического смесителя.

7.3 Предписания, стандарты и положения

**Указание**

Необходимо соблюдать все национальные и региональные предписания и положения.

- Степень защиты IP 25 (защита от струй воды) обеспечивается только при надлежащей установке защитной втулки для кабеля.
- Удельное электрическое сопротивление воды не должно быть ниже указанного на заводской табличке! При наличии объединенной водопроводной сети следует учитывать минимальное электрическое сопротивление воды (см. главу «Технические характеристики / Рабочие диапазоны / Таблица пересчета данных»). Выяснить удельное электрическое сопротивление или электропроводность воды на предприятии водоснабжения.

8. Описание устройства

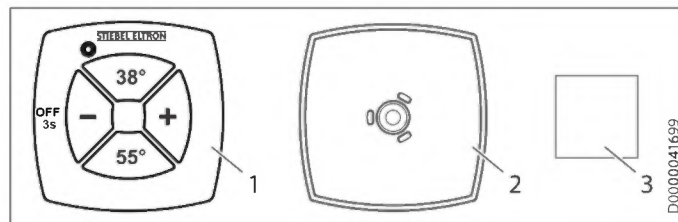
8.1 Комплект поставки

В комплект поставки прибора входят:

- Настенная монтажная планка
- Резьбовая шпилька для настенной монтажной планки
- Шаблон для монтажа
- 2 двойных ниппеля (для холодной воды, с запорным клапаном)
- Плоские уплотнения
- Кабельная втулка (подключение электропитания сверху / внизу)
- Шурупы / дюбели для настенного крепежа при открытом монтаже водопровода
- Пульт дистанционного управления Mini-FFB

Для замены прибора

- 2 резьбовых удлинителя

Пульт дистанционного управления

- 1 Передатчик с элементом питания
- 2 Настенная монтажная планка
- 3 Клейкая подушечка

9. Подготовительные мероприятия

9.1 Место монтажа



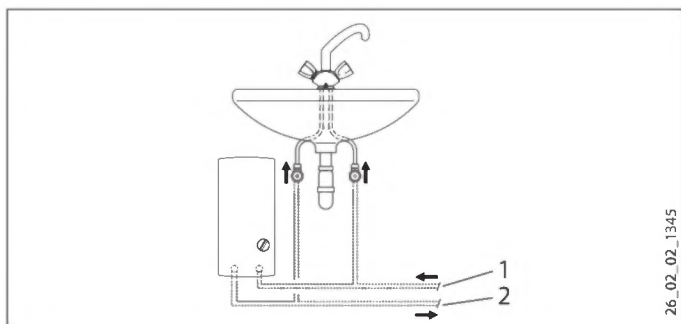
Материальный ущерб

Прибор разрешается устанавливать только в отапливаемом помещении.

- ▶ Устанавливать прибор следует вертикально, в непосредственной близости от точки отбора воды.

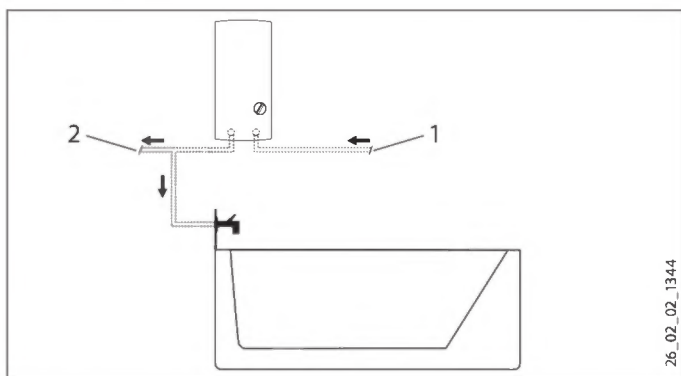
Прибор можно устанавливать под раковиной или над ней.

Монтаж под раковиной



- 1 Подвод холодной воды
- 2 Выпуск горячей воды

Монтаж над раковиной



- 1 Подвод холодной воды
- 2 Выпуск горячей воды



Указание

- ▶ Смонтировать прибор на стене. Стена должна обладать достаточной несущей способностью.

9.2 Водопроводные работы

- Установка предохранительного клапана не требуется.
- Установка предохранительных клапанов в трубопровод горячей воды недопустима.
- ▶ Тщательно промыть водопроводную систему.

Смесители

Использовать подходящие напорные смесители. Запрещено использовать безнапорные смесители.



Указание

Для уменьшения потока запрещено использовать запорный клапан на линии подачи холодной воды! Это приводит к блокированию прибора.

Разрешенные материалы для водопроводных труб

- Линия подачи холодной воды: труба из горячеоцинкованной стали, нержавеющей стали, меди или пластика
- Трубопровод горячей воды: труба из нержавеющей стали, меди или пластика



Материальный ущерб

При использовании пластмассовых труб нужно учитывать максимальную температуру и максимально допустимое давление (см. главу «Технические характеристики / таблица параметров»).

Гибкие соединительные шланги для подачи воды

- ▶ При подключении прибора с помощью гибких шлангов необходимо предусмотреть защиту от проворачивания трубных колен с байонетным соединением.
- ▶ Закрепить заднюю стенку, зафиксировав ее снизу двумя дополнительными винтами.

10. Монтаж

10.1 Стандартный

- Электроподключение сверху при скрытой проводке
- Подключение к водопроводу скрытой установки
- По умолчанию задана средняя присоединяемая мощность

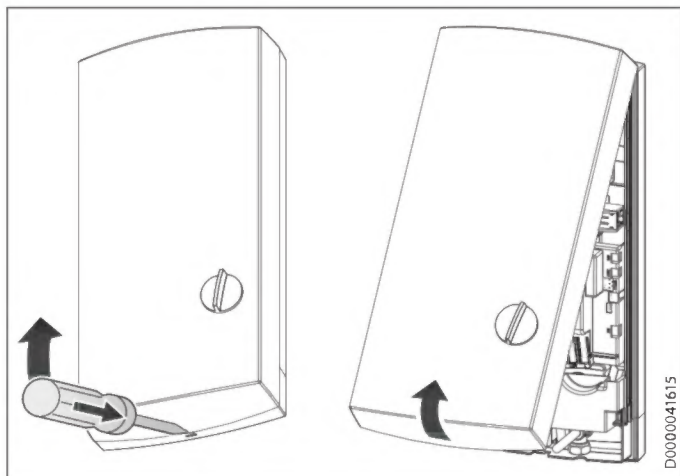
Другие способы монтажа см. главу «Варианты монтажа».

- Электроподключение снизу при скрытой проводке
- Электроподключение при открытой проводке
- Подключение реле сброса нагрузки
- Подключение к водопроводу открытого монтажа
- Подключение к водопроводу скрытого монтажа при замене прибора
- Работа с предварительно подогретой водой
- Монтаж пульта дистанционного управления

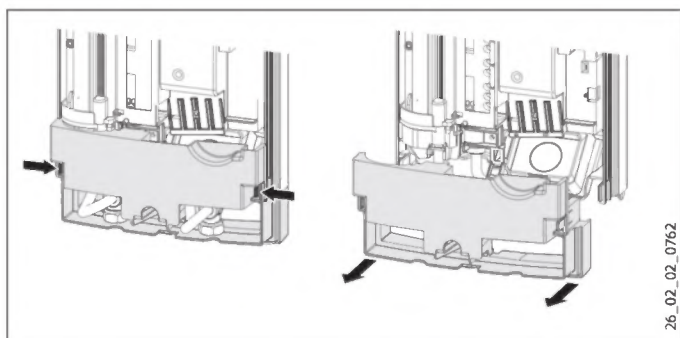
УСТАНОВКА

Монтаж

Открытие прибора

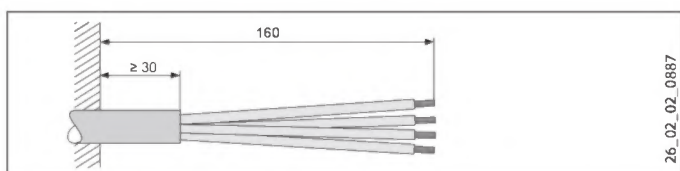


- ▶ Открыть прибор, отжав защелку фиксатора.

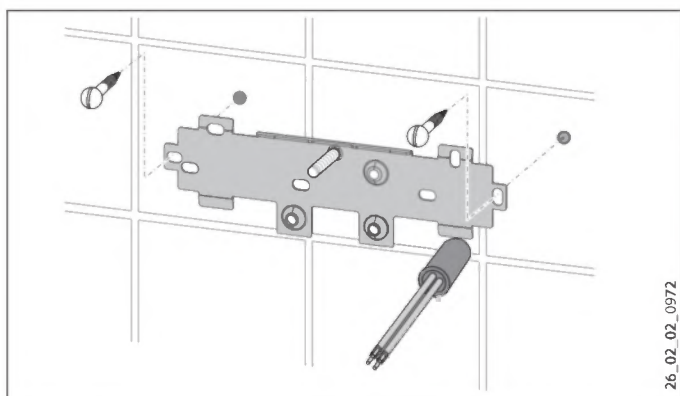


- ▶ Снять заднюю стенку, нажав на оба крючка-фиксатора и потянув нижнюю часть задней стенки вперед.

Подготовка кабеля питания



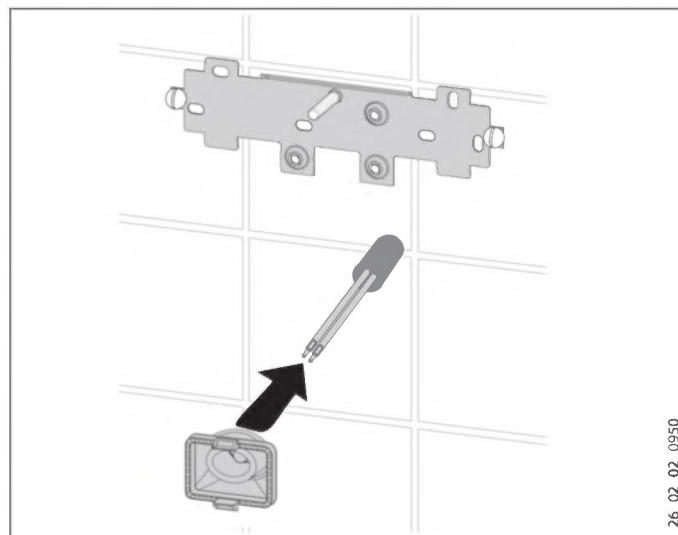
Установка настенной монтажной планки



- ▶ Разметить места сверления отверстий при помощи шаблона для монтажа. При подключении прибора к водопроводу открытого монтажа нужно дополнительно отметить крепежные отверстия в нижней части шаблона.

- ▶ Просверлить отверстия и закрепить настенную монтажную планку с помощью 2 винтов и 2 дюбелей (винты и дюбели не входят в комплект поставки).
- ▶ Установить прилагаемую резьбовую шпильку.
- ▶ Установить настенную монтажную планку.

Монтаж кабельной втулки



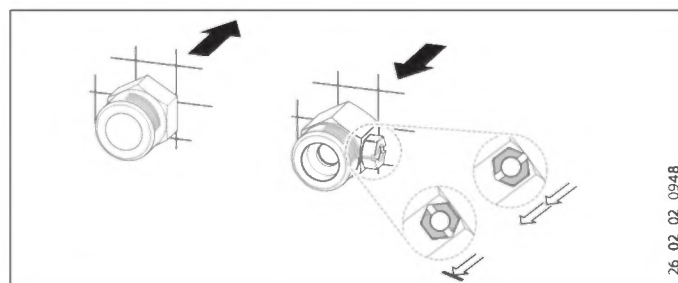
- ▶ Смонтировать кабельную втулку. Если поперечное сечение кабеля превышает 6 мм², отверстие в кабельной втулке необходимо расширить.

Подключение прибора к системе водоснабжения



Материальный ущерб

Все работы по подключению воды и установке прибора необходимо производить в соответствии с инструкцией.



- ▶ Поставить прокладку и ввинтить двойной ниппель.

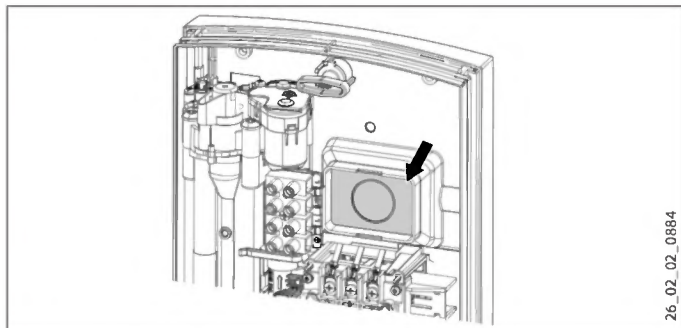


Материальный ущерб

Для уменьшения потока запрещено использовать запорный клапан на линии подачи холодной воды!

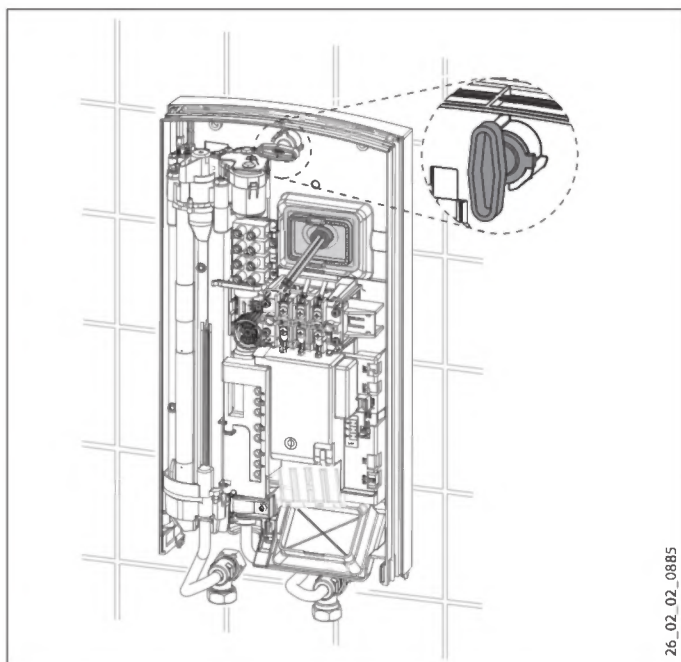
Подготовка задней стенки

- !** **Материальный ущерб**
Если по ошибке было выломано не то отверстие для кабельной втулки, необходимо использовать новую заднюю стенку.

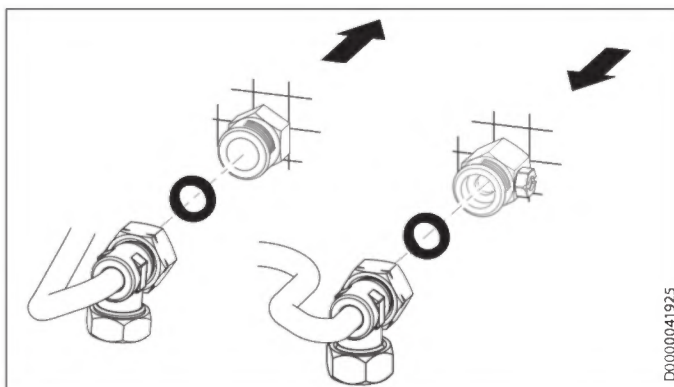


- Выломать в заданной точке на задней стенке отверстие для кабельной втулки. При наличии острых кромок их необходимо чисто обработать напильником.

Монтаж прибора



- Надеть заднюю стенку на шпильку и кабельную втулку. Подтянуть плоскогубцами кабельную втулку к фиксатору на задней стенке так, чтобы оба фиксатора защелкнулись со слышимым щелчком.
- Удалить защитные заглушки из патрубков для подключения воды.
- Плотно прижать заднюю стенку и зафиксировать с помощью крепежного воротка, повернув его вправо на 90°.



- Прикрутить трубы с плоскими уплотнителями к двойным ниппелям.

- !** **Материальный ущерб**
Для работы прибора необходима установка сетчатого фильтра.
- При замене прибора проверить наличие сетчатого фильтра (см. главу «Техническое обслуживание»).

Подключение к сети электропитания

- ⚡** **ПРЕДУПРЕЖДЕНИЕ** поражение электрическим током
Все работы по электрическому подключению и установке необходимо производить в соответствии с инструкцией.

- ⚡** **ПРЕДУПРЕЖДЕНИЕ** поражение электрическим током
Подключение к электросети допустимо только в неразъемном исполнении и при наличии съемной кабельной втулки. Прибор должен отключаться от сети с размыканием всех контактов на всех полюсах и изолированием на расстоянии не менее 3 мм.

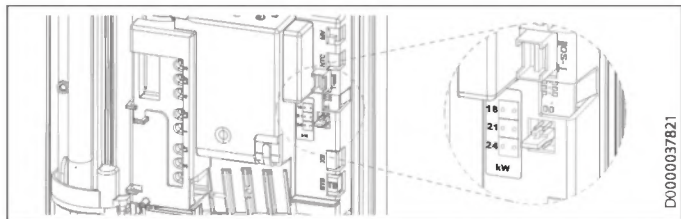
- ⚡** **ПРЕДУПРЕЖДЕНИЕ** поражение электрическим током
Проверить подключение прибора к защитному проводу.

- !** **Материальный ущерб**
Следует соблюдать данные на заводской табличке. Напряжение сети должно совпадать с указанным на табличке.

- Подключить кабель электропитания к соединительной клемме (см. главу «Технические характеристики / Электрические схемы»).

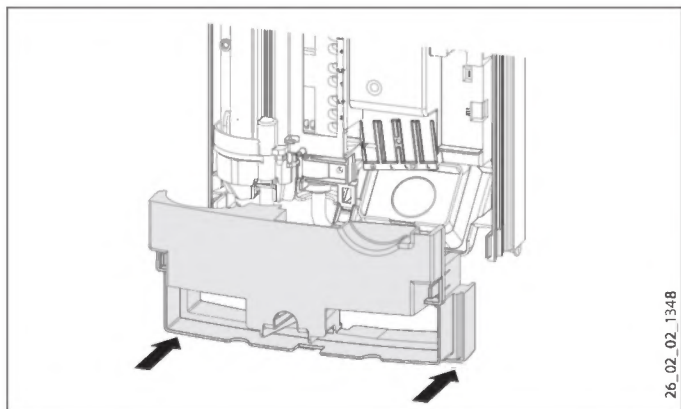
Переключение штекера кодировки

На момент поставки штекер кодировки установлен в положение 21 кВт. Для переключения на другую потребляемую мощность необходимо выполнить следующие действия:



- ▶ Переместить штекер кодировки в положение, соответствующее выбранной мощности (сведения о выборе мощности и предохранителях прибора см. в главе «Технические характеристики / Таблица параметров»).
- ▶ Выбранную мощность отметить на заводской табличке крестиком. Для этого использовать шариковую ручку.

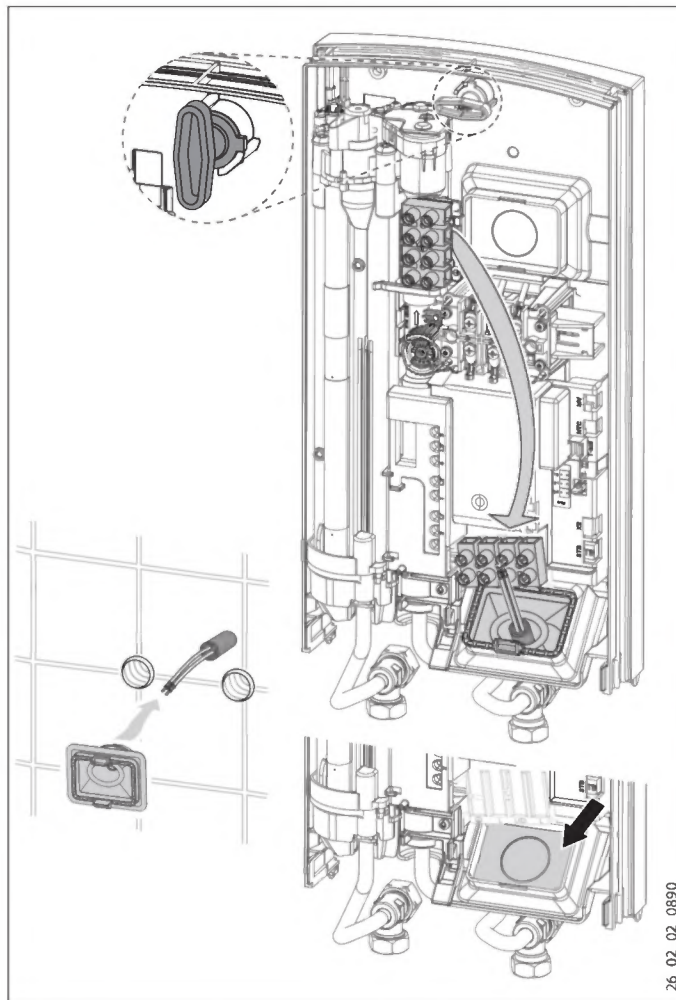
Монтаж нижней части задней стенки



- ▶ Установить нижнюю часть задней стенки на заднюю стенку и защелкнуть ее.
- ▶ Выровнять установленный прибор, ослабив крепежный вороток, поправить электрический кабель и заднюю стенку, после чего вновь затянуть крепежный вороток. Если задняя стенка не прилегает к стене, то нижнюю часть прибора можно закрепить двумя дополнительными винтами.

10.2 Варианты монтажа

10.2.1 Электроподключение снизу при скрытой проводке



- ▶ Смонтировать кабельную втулку.



Материальный ущерб

Если по ошибке было выломано не то отверстие для кабельной втулки, необходимо использовать новую заднюю стенку.

- ▶ Выломать в заданной точке на задней стенке отверстие для кабельной втулки. При наличии острых кромок их необходимо чисто обработать напильником.
- ▶ Переместить клемму подключения к электросети с верхней части прибора вниз.
- ▶ Надеть заднюю стенку на шпильку и кабельную втулку. Подтянуть плоскогубцами кабельную втулку к фиксатору на задней стенке так, чтобы оба фиксатора защелкнулись со слышимым щелчком.
- ▶ Плотнo прижать заднюю стенку и зафиксировать с помощью крепежного воротка, повернув его вправо на 90°.

10.2.2 Электроподключение при открытой проводке



Указание

При таком способе подключения изменится степень защиты прибора.

- ▶ Изменить данные на заводской табличке. Зачеркнуть маркировку «IP 25» и пометить крестиком ячейку «IP 24». Для этого использовать шариковую ручку.



Материальный ущерб

Если по ошибке было выломано не то отверстие для кабельной втулки, необходимо использовать новую заднюю стенку.

- ▶ На задней стенке прибора чисто выполнить необходимые проходные отверстия (их расположение см. главу «Технические характеристики / Размеры и соединения»). При наличии острых кромок их необходимо чисто обработать напильником.
- ▶ Пропустить кабель электропитания через кабельную втулку и подключить его к соединительной клемме сети.

10.2.3 Подключение реле сброса нагрузки

Реле сброса нагрузки в электrorаспределительном устройстве следует использовать совместно с другими электроприборами, например, с электрическими накопительными водонагревателями. Сброс нагрузки осуществляется при работе проточного водонагревателя.



Материальный ущерб

Подключить фазу, на которую установлено реле сброса нагрузки, к обозначенной соответствующим образом соединительной клемме прибора (см. главу «Технические характеристики / Электрические схемы»).

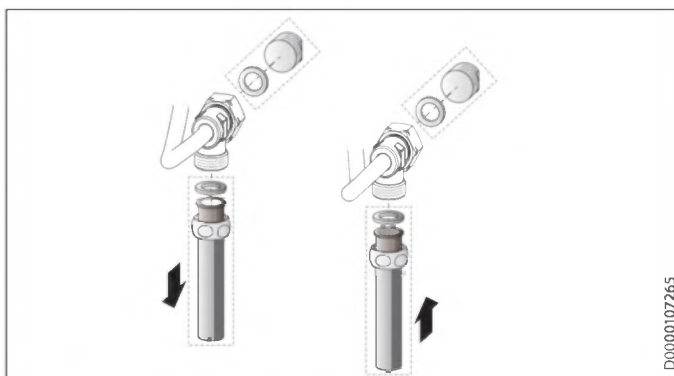
10.2.4 Подключение к водопроводу открытого монтажа



Указание

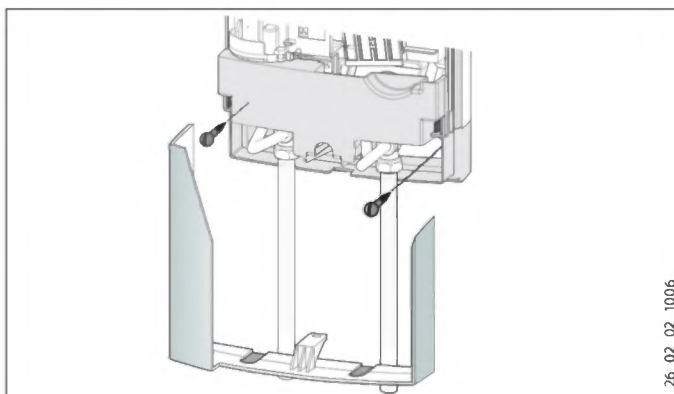
При таком способе подключения изменится степень защиты прибора.

- ▶ Изменить данные на заводской табличке. Зачеркнуть маркировку «IP 25» и пометить крестиком ячейку «IP 24». Для этого использовать шариковую ручку.



D0000107265

- ▶ На трубопровод скрытого монтажа установить заглушки с уплотнениями.
- ▶ Выполнить монтаж соответствующего напорного смесителя.



26_02_02_1006

- ▶ Закрепить заднюю стенку, зафиксировав ее снизу двумя дополнительными винтами.
- ▶ Установить нижнюю часть задней стенки под соединительные трубы арматуры и защелкнуть нижнюю часть задней стенки.
- ▶ Соединить трубы с прибором.



Материальный ущерб

Если по ошибке было сделано не то отверстие в крышке прибора, необходимо использовать новую крышку прибора.

- ▶ Аккуратно выломать проходные отверстия в крышке прибора. При наличии острых кромок их необходимо чисто обработать напильником.

УСТАНОВКА

Ввод в эксплуатацию

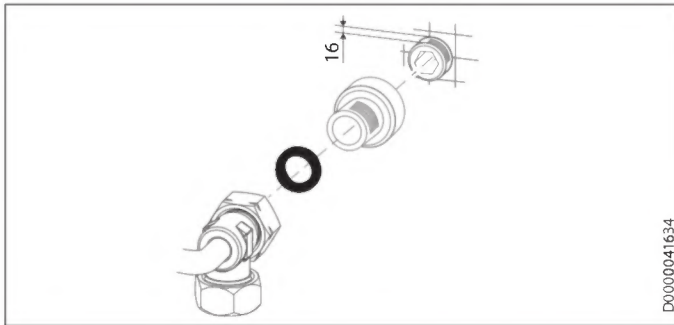
10.2.5 Подключение к водопроводу скрытого монтажа при замене прибора

Если имеющиеся двойные ниппели старого прибора выступают из стены всего примерно на 16 мм, использовать входящие в комплект поставки двойные ниппели нельзя.



Указание

При таком подключении перекрыть подачу холодной воды можно только на уровне домовой водопроводной сети.



- ▶ Обеспечить уплотнение и вернуть входящие в комплект поставки резьбовые удлинители.
- ▶ Подключить прибор.

10.2.6 Работа с предварительно подогретой водой

При установке центрального термостатического смесителя максимальная температура подаваемой воды ограничивается. Для использования в режиме душа необходимо установить на смесителе ограничение температуры не выше 55 °C.

10.3 Завершение монтажа

- ▶ Открыть запорный вентиль в двойном ниппеле или в трубопроводе подачи холодной воды.

10.4 Монтаж пульта дистанционного управления

Пульт дистанционного управления можно закрепить на стене при помощи настенной монтажной планки.

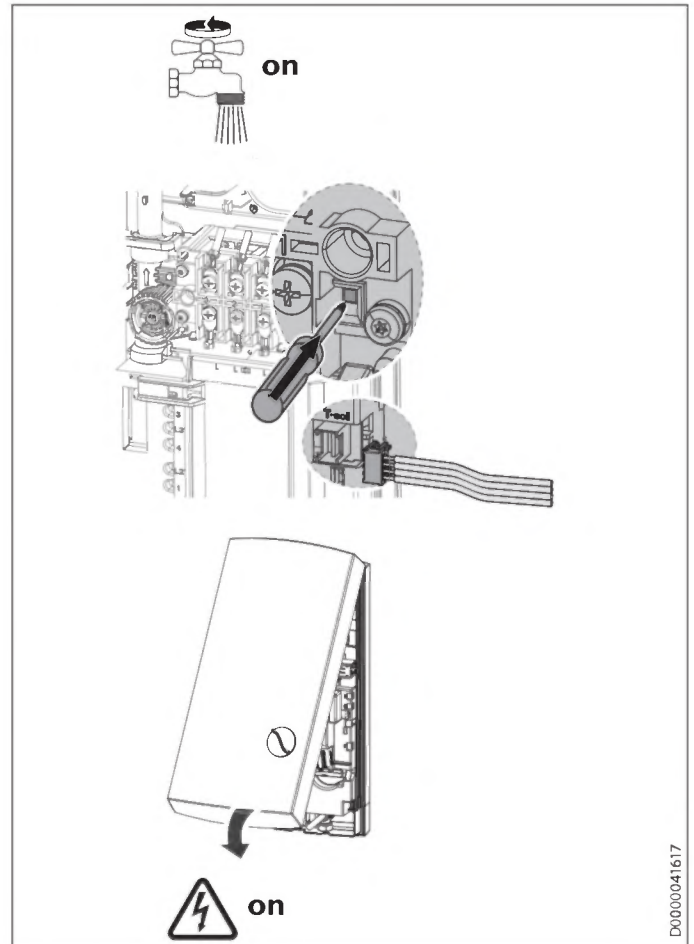
- ▶ Настенная монтажная планка крепится к стене с помощью входящей в комплект поставки клейкой подушечки или подходящего винта с потайной головкой (диаметром не более 3 мм).

11. Ввод в эксплуатацию



ПРЕДУПРЕЖДЕНИЕ поражение электрическим током
Ввод прибора в эксплуатацию может осуществляться только специалистом при условии соблюдения правил техники безопасности.

11.1 Первый ввод в эксплуатацию



- ▶ Многократно открывать и закрывать все подключенные раздаточные краны до тех пор, пока из водопроводной сети и прибора не выйдет весь воздух.
- ▶ Выполнить проверку герметичности.
- ▶ Активировать предохранительный ограничитель давления, сильно нажав кнопку сброса (на момент поставки прибора функция предохранительного ограничителя давления деактивирована).
- ▶ Подключить штекер регулятора температуры к блоку электроники.
- ▶ Установить крышку прибора и зафиксировать до слышимого щелчка. Проверить положение крышки прибора.
- ▶ Подать сетевое напряжение.
- ▶ Проверить работу прибора.

Пульт дистанционного управления Mini-FFB

Пульт дистанционного управления уже зарегистрирован на приборе производителем. Если при вводе в эксплуатацию передача сигналов не осуществляется, процесс запоминания прибора выполнить следующим образом:

- ▶ Включить функцию комфорта «Пульт дистанционного управления» (rc) с помощью кнопки ECO.
- ▶ Нажать кнопку памяти 1 на приборе (запускается процесс запоминания, на дисплее появляется линейный индикатор).
- ▶ После этого нажать любую клавишу на пульте дистанционного управления.

Защита от обваривания / ограничение температуры

Задать нужное ограничение температуры можно в режиме сервисного обслуживания в диапазоне 31-60 °C.

Передача устройства

- ▶ Объяснить пользователю принцип работы устройства и ознакомить его с правилами использования устройства.
- ▶ Указать пользователю на возможные опасности, особенно на опасность обваривания.
- ▶ Передать данное руководство.

11.2 Повторный ввод в эксплуатацию

Удалить воздух из прибора и трубопровода подачи холодной воды (см. главу «Настройки»).

См. главу «Первый ввод в эксплуатацию».

12. Вывод из эксплуатации

- ▶ Полностью обесточить прибор с размыканием контактов на всех полюсах.
- ▶ Опорожнить прибор, см. главу «Техническое обслуживание».

13. Поиск и устранение неисправностей



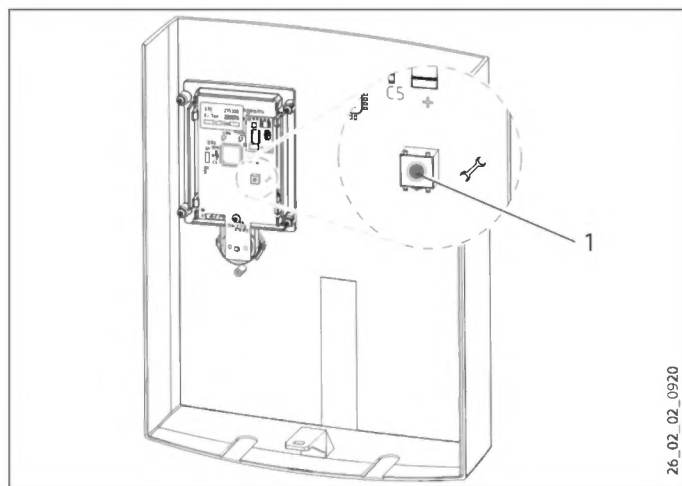
ПРЕДУПРЕЖДЕНИЕ поражение электрическим током
Для проверки прибора он должен находиться под напряжением.

Неисправность	Причина	Способ устранения
Очень слабый поток воды.	Сетчатый фильтр и (или) регулятор струи засорен. Неисправен клапан с электроприводом.	Очистить сетчатый фильтр и (или) регулятор струи. Проверить клапан с электроприводом. При необходимости заменить его.
С дисплея панели управления не исчезает сообщение об ошибке (ERROR)	Неисправность датчика или электронного модуля. Нарушение связи между панелью управления и блоком управления.	Продолжить анализ причин неисправности в режиме сервисного обслуживания (см. главу «Режим сервисного обслуживания»).
Фоновая подсветка панели управления полностью выключена.	Нет напряжения в сети	Проверить предохранители домашней электросети.
	Отсоединился соединительный кабель панели управления	Подключить соединительный кабель.
Сработал предохранительный ограничитель давления.	Сработал предохранительный ограничитель давления.	Устранить причину срабатывания. На одну минуту открыть подключенный после прибора раздаточный кран. Это даст возможность сбросить давление и температуру в нагревательной системе и защитить ее от перегрева. Активировать предохранительный ограничитель давления при наличии давления воды в приборе, для этого нажать кнопку сброса.
	Неисправен блок электроники.	Проверить блок электроники, при необходимости заменить его.
Нагрев не включается (нет горячей воды).	Неисправна нагревательная система.	Проверить нагревательную систему, при необходимости заменить ее.
	Система распознавания потока неисправна или не подключена.	Проверить подключение. Выполнить измерение потока в режиме сервисного обслуживания.
	Сработало предохранительное тепловое реле или обрыв его линии.	Устранить причину срабатывания. Активировать предохранительный ограничитель температуры, при необходимости заменить его.
Индикация ошибки (ERROR) появляется только во время отбора воды.	Отключение одной фазы.	Проверить предохранители домашней электросети.
	Температура подачи > 45 °C.	См. главу «Подключение к водопроводу»; при необходимости задать ограничение температуры подачи.
Кратковременно идет холодная вода.	Активирован режим «Здоровье».	Выключить режим «Здоровье».
	Кратковременное резкое снижение потока.	Прибор автоматически восстановит работу при появлении достаточного потока.
	Сработала система обнаружения воздуха (в течение примерно одной минуты течет холодная вода).	Прибор автоматически восстановит работу через некоторое время.

13.1 Режим сервисного обслуживания

Режим сервисного обслуживания включается и выключается нажатием кнопки SERVICE на задней стороне панели управления (необходима связь с источником заданного значения температуры). С помощью кнопки ESO (см. главу «Настройки / Настройки в меню ИНФОРМАЦИЯ») выполнить переход к следующему пункту меню.

Смена страниц в соответствующем подменю осуществляется поворотом регулятора температуры.



1 Кнопка SERVICE

13.1.1 Меню «Ошибка» (Error)

Данное меню отображается при наличии ошибки.

Код	Значение
E1, ELEC	Электронный модуль вышел из строя. Заменить электронный модуль.
E 3, ntc	Проверить электрическое соединение с датчиком на выходе. При необходимости заменить датчик.
E 4, mot	Проверить электрическое соединение клапана с электроприводом. При необходимости заменить его.

13.1.2 Меню «Контроль» (Control)

Код	Значение
C 1, 36,5 °C	Индикация фактической температуры подачи. При неисправности датчика холодной воды отображается температура 1,0 °C.
C 2, 47,5 °C	Индикация фактической температуры на выходе. При неисправности датчика на выходе отображается температура 65,0 °C.
C 3, 6,8 л/мин	Индикация фактического объема потока.
C 4, 21,5 кВт	Индикация фактической потребляемой мощности.

13.1.3 Меню «Данные»

Код	Значение
d 1, 8042	Служебный код для специалистов сервисной службы
d 2, 2341	Длительность периода, в течение которого прибор был подключен к электросети (в днях).
d 3, 172 h	Длительность нагрева (в часах).
d 4, 24 kW	Максимальная мощность в кВт. Эта мощность может отличаться от номинальной, например, если сетевое напряжение не равно 400 В.

13.1.4 Меню защиты от обваривания и ограничения температуры

Код	Значение
OFF	Защита от обваривания и ограничение температуры выключены.
Op	Защита от обваривания и ограничение температуры включены.
31-60 °C	Максимальная температура, которую можно выбрать на приборе при выбранном значении ON

Заводские значения параметров см. в главе «Технические характеристики».

После выхода из режима сервисного обслуживания изменить заданную максимальную температуру с панели управления невозможно.



ОСТОРОЖНО ожог

В режиме эксплуатации с использованием предварительно подогретой воды система ограничения температуры и защиты от обваривания может оказаться неэффективной. В этом случае ограничение задается на предустановленном центральном термостатическом смесителе.

14. Техническое обслуживание



ПРЕДУПРЕЖДЕНИЕ поражение электрическим током

При любых работах необходимо полное отключение прибора от сети.

Опорожнение прибора

Для проведения работ по техническому обслуживанию воду из прибора можно слить.

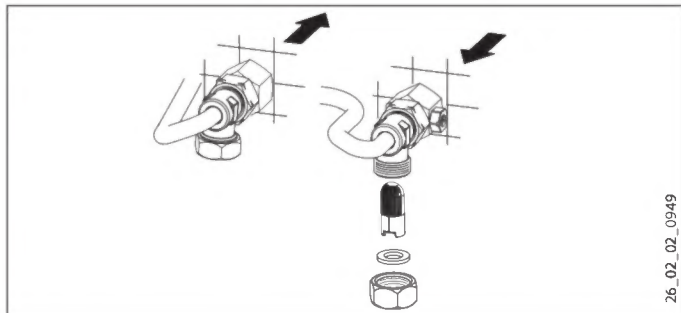


ПРЕДУПРЕЖДЕНИЕ ожог

При опорожнении прибора может вытекать горячая вода.

- ▶ Закрывать запорный вентиль в двойном ниппеле или в трубопроводе подачи холодной воды.
- ▶ Открыть все раздаточные вентили.
- ▶ Отсоединить трубопроводы подачи воды от прибора.
- ▶ Хранить демонтированный прибор в отапливаемом помещении, поскольку в приборе всегда находятся остатки воды, которые могут замерзнуть и повредить его.

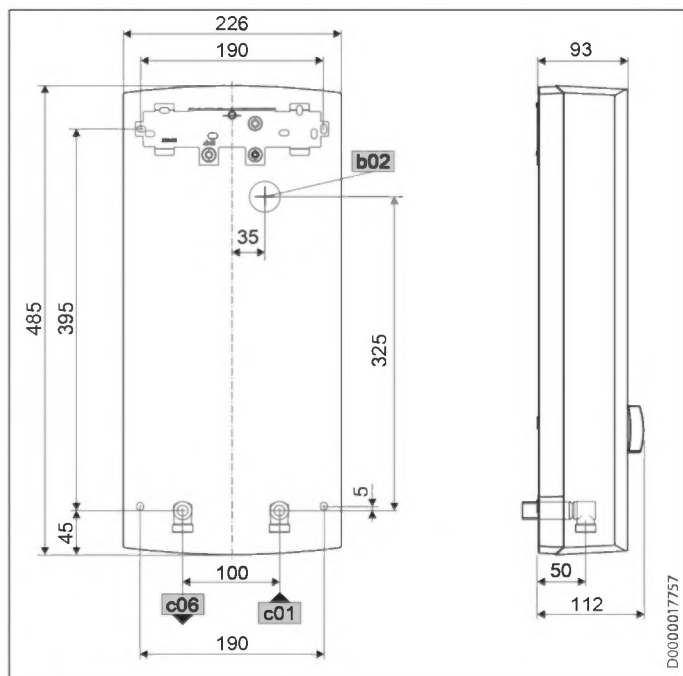
Чистка сетчатого фильтра



В случае загрязнения следует очистить сетчатый фильтр в резьбовом соединении подачи холодной воды. Закрыть запорный вентиль в трубопроводе подачи холодной воды, демонтировать сетчатый фильтр, очистить его и установить снова.

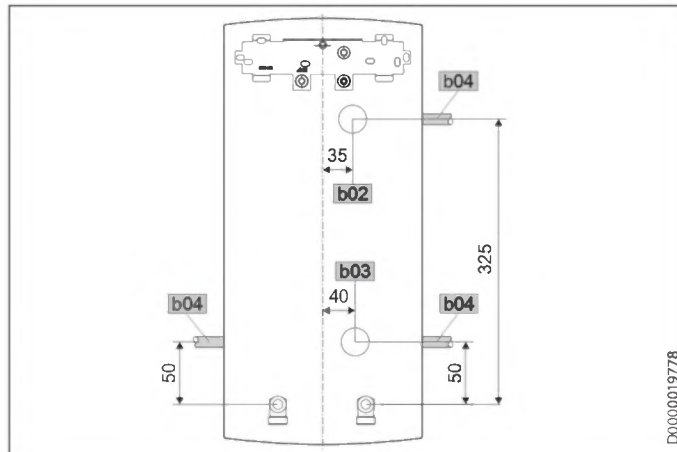
15. Технические характеристики

15.1 Размеры и подключения



b02	Ввод кабеля электропитания I		
c01	Подвод холодной воды	Наружная резьба	G 1/2 A
c06	Выпуск горячей воды	Наружная резьба	G 1/2 A

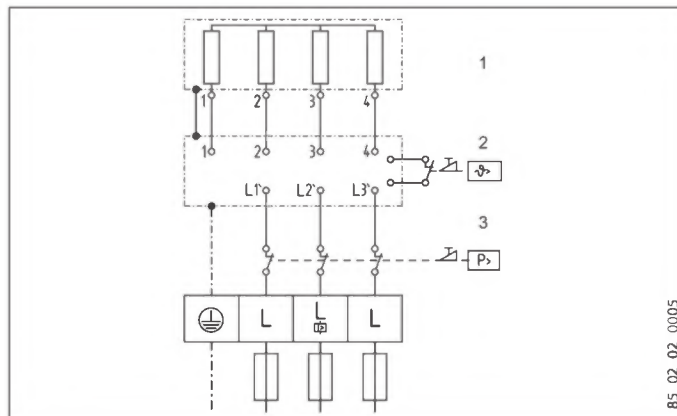
Варианты подключения



b02	Ввод кабеля электропитания I
b03	Ввод кабеля электропитания II
b04	Ввод кабеля электропитания III

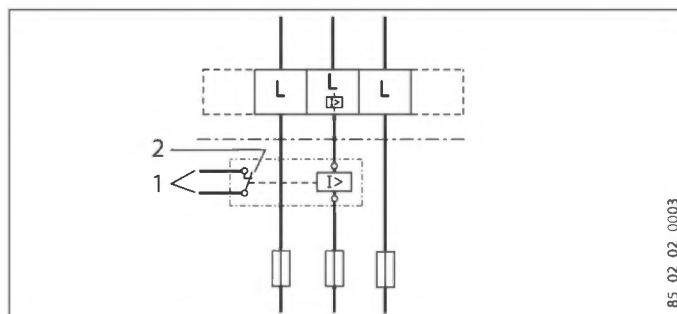
15.2 Электрические схемы

3/PE ~ 380-415 В



- 1 Нагрев
- 2 Предохранительный ограничитель температуры
- 3 Предохранительный ограничитель давления

Приоритетная схема с LR 1-A



- 1 Линия цепи управления к контактору 2-го прибора (например, электрическому накопительному водонагревателю).
- 2 Управляющий контакт размыкается при включении проточного водонагревателя.

15.3 Заводские настройки

Режим «Здоровье»		OFF
Автоматический контроль расхода воды		OFF / 80 л
ECO	ECO	38 °C / 8 л/мин
Защита от детей	$^{\circ}\text{C}_{\text{max}}$	OFF / 43.0 °C
Вторая строка дисплея		л/мин
Подсветка		OFF
Подсветка фона	Синий / красный цвет	100 %

15.4 Производительность по горячей воде

Производительность по горячей воде зависит от напряжения в сети, потребляемой мощности прибора и температуры холодной воды. Сведения о номинальном напряжении и номинальной мощности указаны на заводской табличке (см. главу «Устранение неисправностей»).

Потребляемая мощность, кВт			Производительность по горячей воде (38 °C), л/мин.			
Номинальное напряжение			Температура холодной воды на входе			
380 В	400 В	415 В	5 °C	10 °C	15 °C	20 °C
16,2			7,0	8,3	10,1	12,9
19			8,2	9,7	11,8	15,1
21,7			9,4	11,1	13,5	17,2
	18		7,8	9,2	11,2	14,3
	21		9,1	10,7	13,0	16,7
	24		10,4	12,2	14,9	19,0
		19,4	8,4	9,9	12,0	15,4
		22,6	9,8	11,5	14,0	17,9
		25,8	11,2	13,2	16,0	20,5

Потребляемая мощность, кВт			Производительность по горячей воде (50 °C), л/мин.			
Номинальное напряжение			Температура холодной воды на входе			
380 В	400 В	415 В	5 °C	10 °C	15 °C	20 °C
16,2			5,1	5,8	6,6	7,7
19			6,0	6,8	7,8	9,0
21,7			6,9	7,8	8,9	10,3
	18		5,7	6,4	7,3	8,6
	21		6,7	7,5	8,6	10,0
	24		7,6	8,6	9,8	11,4
		19,4	6,2	6,9	7,9	9,2
		22,6	7,2	8,1	9,2	10,8
		25,8	8,2	9,2	10,5	12,3

15.5 Рабочие диапазоны / Таблица пересчета данных

Удельное электрическое сопротивление и удельная электропроводность (см. главу «Таблица параметров»).

Стандартные данные при 15 °C			20 °C			25 °C		
Сопротивление $\rho \geq$	Электропроводность $\sigma \leq$	Единица	Сопротивление $\rho \geq$	Электропроводность $\sigma \leq$	Единица	Сопротивление $\rho \geq$	Электропроводность $\sigma \leq$	Единица
Ом/см	мСм/м	мкСм/см	Ом/см	мСм/м	мкСм/см	Ом/см	мСм/м	мкСм/см
900	111	1111	800	125	1250	735	136	1361
1000	100	1000	890	112	1124	815	123	1227

15.6 Потери давления

Смесители

Потеря давления на смесителях при объемном расходе 10 л/мин		
Однорычажный смеситель, прикл.	МПа	0,04 - 0,08
Термостатический смеситель, прикл.	МПа	0,03 - 0,05
Ручной душ, прикл.	МПа	0,03 - 0,15

Расчет параметров трубопроводной сети

При расчете параметров трубопроводной сети для прибора рекомендуется задать потерю давления 0,1 МПа.

15.7 Возможные неисправности

При неисправности в трубопроводной системе могут возникать кратковременные пиковые нагрузки с повышением температуры до 95 °C и давления до 1,2 МПа.

15.8 Характеристики энергопотребления

Технические характеристики изделия: Стандартный водонагреватель (в соответствии с регламентом ЕС № 812/2013 | 814/2013)

		PER 18/21/24
		233990
Производитель		STIEBEL ELTRON
Профиль нагрузки		S
Класс энергоэффективности		A
Энергетический КПД	%	39
Годовое потребление электроэнергии	кВт*ч	478
Заданная на заводе температура	°C	60
Уровень звуковой мощности	дБ(A)	15
Особые указания по измерению эффективности		Данные при Pmax
Суточное потребление электроэнергии	кВт*ч	2,199

15.9 Таблицы параметров

		PER 18/21/24		
		233990		
Электрические характеристики				
Номинальное напряжение	В	380	400	415
Номинальная мощность	кВт	16,2/19/21,7	18/21/24	19,4/22,6/25,8
Номинальный ток	А	27,6/29,5/33,3	29/31/35	30,1/32,2/36,3
Предохранитель	А	32/32/35	32/32/35	32/32/40
Частота	Гц	50/60	50/60	50/-
Фазы				3/PE
Макс. полное сопротивление сети при 50 Гц	Ом	0,284	0,270	0,260
Удельная электропроводность $\sigma_{15} \leq$ (при $\vartheta_{хол.} \leq 25$ °С)	мкСм/см	1111	1111	1000
Удельное сопротивление $\rho_{15} \geq$ (при $\vartheta_{хол.} \leq 25$ °С)	Ом см	900	900	1000
Удельное сопротивление $\rho_{15} \geq$ (при $\vartheta_{хол.} \leq 45$ °С)	Ом см	1200	1200	1300
Удельная электропроводность $\sigma_{15} \leq$ (при $\vartheta_{хол.} \leq 45$ °С)	мкСм/см	830	830	770
Соединения				
Подключение к водопроводу				G 1/2 A
Пределы рабочего диапазона				
Макс. допустимое давление	МПа			1
Макс. значение температуры подачи для догрева	°С			45
Параметры				
Макс. допустимая температура подачи	°С			60
Вкл	л/мин			> 2,5
Потеря давления при объемном расходе	МПа			0,08/0,1/0,13
Объемный расход при потере давления	л/мин			5,2/6,0/6,9
Мощность по горячей воде	л/мин			9,4/11,0/12,6
$\Delta\vartheta$ при подаче	К			26
Гидравлические характеристики				
Номинальная емкость	л			0,4
Модификации				
Выбор мощности подключения				X
Регулировка температуры	°С			30-60
Изолирующий блок				Пластмасса
Генератор тепла системы отопления				Открытый нагревательный элемент
Крышка и задняя стенка				Пластмасса
Цвет				белый
Степень защиты (IP)				IP25
Размеры				
Высота	мм			485
Ширина	мм			226
Глубина	мм			93
Вес				
Вес	кг			3,8

**Указание**

Прибор соответствует требованиям стандарта IEC 61000-3-12.

		Mini-FFB
Размеры (В/Ш/Г) без настенной монтажной планки	мм	50/50/17
Радиочастота	МГц	868,3
Радиус действия в здании, включая междуэтажное перекрытие	м	ок. 25
Диапазон регулирования температур	°С	30-60
Степень защиты согласно EN 60529	Душ Ванна	IP X5 IP X7
Тип батарейки		1 x CR 2032

Серийный номер на шильдике прибора содержит дату изготовления прибора.

Серийный номер имеет следующую структуру: 6-значный артикул прибора - 4-значная дата производства- 6-значный порядковый номер.

4-значная дата производства расшифровывается так:

- Первые две цифры плюс 25 - это год изготовления прибора (2 цифры), то есть 94+25 -> для 2019, 93+25 -> для 2018 и так далее;
- Последние две цифры минус 25 -это календарная неделя изготовления прибора.

Например, 4-значная дата производства 9440 соответствует 15 неделе в 2019 году.

Изготовитель:

«Штибель Эльтрон ГмбХ & Ко. КГ»

Адрес: Др. -Штибель-Штрассе 33,

37603, Хольцминден, Германия

Тел. 05531 702-0 | Факс 05531 702-480

info@stiebel-eltron.de

www.stiebel-eltron.de

Сделано в Германии

Импортер в РФ:

ООО «Штибель Эльтрон»

Адрес: ул. Уржумская, д.4, стр. 2

129343, г. Москва, Россия

Тел. +7 495 125 0 125 | Факс: +7 495 775 38 87

info@stiebel-eltron.ru

www.stiebel-eltron.ru

Гарантия

Приборы, приобретенные за пределами Германии, не подпадают под условия гарантии немецких компаний. К тому же в странах, где продажу нашей продукции осуществляет одна из наших дочерних компаний, гарантия предоставляется исключительно этой дочерней компанией. Такая гарантия предоставляется только в случае, если дочерней компанией изданы собственные условия гарантии. За пределами этих условий никакая гарантия не предоставляется.

На приборы, приобретенные в странах, где ни одна из наших дочерних компаний не осуществляет продажу нашей продукции, никакие гарантии не распространяются. Это не затрагивает гарантий, которые могут предоставляться импортером.

Защита окружающей среды и утилизация

Внесите свой вклад в охрану окружающей среды. Утилизацию использованных материалов следует производить в соответствии с национальными нормами.

ДЛЯ ЗАМЕТОК

Deutschland

STIEBEL ELTRON GmbH & Co. KG
Dr.-Stiebel-Straße 33 | 37603 Holzminden
Tel. 05531 702-0 | Fax 05531 702-480
info@stiebel-eltron.de
www.stiebel-eltron.de

Verkauf

Tel. 05531 702-110 | Fax 05531 702-95108 | info-center@stiebel-eltron.de

Kundendienst

Tel. 05531 702-111 | Fax 05531 702-95890 | kundendienst@stiebel-eltron.de

Ersatzteilverkauf

www.stiebel-eltron.de/ersatzteile | ersatzteile@stiebel-eltron.de

Australia

STIEBEL ELTRON Australia Pty. Ltd.
294 Salmon Street | Port Melbourne VIC 3207
Tel. 03 9645-1833 | Fax 03 9644-5091
info@stiebel-eltron.com.au
www.stiebel-eltron.com.au

Austria

STIEBEL ELTRON Ges.m.b.H.
Gewerbegebiet Neubau-Nord
Margaritenstraße 4 A | 4063 Hörsching
Tel. 07221 74600-0 | Fax 07221 74600-42
info@stiebel-eltron.at
www.stiebel-eltron.at

Belgium

STIEBEL ELTRON bvba/sprl
't Hofveld 6 - D1 | 1702 Groot-Bijgaarden
Tel. 02 42322-22 | Fax 02 42322-12
info@stiebel-eltron.be
www.stiebel-eltron.be

China

STIEBEL ELTRON (Tianjin) Electric Appliance
Co., Ltd.
Plant C3, XEDA International Industry City
Xi Qing Economic Development Area
300385 Tianjin
Tel. 022 8396 2077 | Fax 022 8396 2075
info@stiebel-eltron.cn
www.stiebel-eltron.cn

Czech Republic

STIEBEL ELTRON spol. s r.o.
Dopraváků 749/3 | 184 00 Praha 8
Tel. 251116-111 | Fax 235512-122
info@stiebel-eltron.cz
www.stiebel-eltron.cz

Finland

STIEBEL ELTRON OY
Kapinakuja 1 | 04600 Mäntsälä
Tel. 020 720-9988
info@stiebel-eltron.fi
www.stiebel-eltron.fi

France

STIEBEL ELTRON SAS
7-9, rue des Selliers
B.P 85107 | 57073 Metz-Cédex 3
Tel. 0387 7438-88 | Fax 0387 7468-26
info@stiebel-eltron.fr
www.stiebel-eltron.fr

Hungary

STIEBEL ELTRON Kft.
Gyár u. 2 | 2040 Budaörs
Tel. 01 250-6055 | Fax 01 368-8097
info@stiebel-eltron.hu
www.stiebel-eltron.hu

Japan

NIHON STIEBEL Co. Ltd.
Kowa Kawasaki Nishiguchi Building 8F
66-2 Horikawa-Cho
Saiwai-Ku | 212-0013 Kawasaki
Tel. 044 540-3200 | Fax 044 540-3210
info@nihonstiebel.co.jp
www.nihonstiebel.co.jp

Netherlands

STIEBEL ELTRON Nederland B.V.
Daviottenweg 36 | 5222 BH 's-Hertogenbosch
Tel. 073 623-0000 | Fax 073 623-1141
info@stiebel-eltron.nl
www.stiebel-eltron.nl

New Zealand

Stiebel Eltron NZ Limited
61 Barrys Point Road | Auckland 0622
Tel. +64 9486 2221
info@stiebel-eltron.co.nz
www.stiebel-eltron.co.nz

Poland

STIEBEL ELTRON Polska Sp. z O.O.
ul. Działkowa 2 | 02-234 Warszawa
Tel. 022 60920-30 | Fax 022 60920-29
biuro@stiebel-eltron.pl
www.stiebel-eltron.pl

Russia

STIEBEL ELTRON LLC RUSSIA
Urzhumskaya street 4,
building 2 | 129343 Moscow
Tel. +7 495 125 0 125
info@stiebel-eltron.ru
www.stiebel-eltron.ru

Slovakia

STIEBEL ELTRON Slovakia, s.r.o.
Hlavná 1 | 058 01 Poprad
Tel. 052 7127-125 | Fax 052 7127-148
info@stiebel-eltron.sk
www.stiebel-eltron.sk

South Africa

STIEBEL ELTRON Southern Africa (PTY) Ltd
30 Archimedes Road
Wendywood
Johannesburg, 2090
Tel. +27 10 001 85 47
info@stiebel-eltron.co.za
www.stiebel-eltron.co.za

Switzerland

STIEBEL ELTRON AG
Industrie West
Gass 8 | 5242 Lupfig
Tel. 056 4640-500 | Fax 056 4640-501
info@stiebel-eltron.ch
www.stiebel-eltron.ch

Thailand

STIEBEL ELTRON Asia Ltd.
469 Moo 2 Tambol Klong-Jik
Amphur Bangpa-In | 13160 Ayutthaya
Tel. 035 220088 | Fax 035 221185-88
th-info@stiebel-eltron.com
www.stiebel-eltron.co.th

United Kingdom and Ireland

STIEBEL ELTRON UK Ltd.
Unit 12 Stadium Court
Stadium Road | CH62 3RP Bromborough
Tel. 0151 346-2300 | Fax 0151 334-2913
info@stiebel-eltron.co.uk
www.stiebel-eltron.co.uk

United States of America

STIEBEL ELTRON, Inc.
17 West Street | 01088 West Hatfield MA
Tel. 0413 247-3380 | Fax 0413 247-3369
info@stiebel-eltron-usa.com
www.stiebel-eltron-usa.com

STIEBEL ELTRON



Irrtum und technische Änderungen vorbehalten! | Subject to errors and technical changes! | Sous réserve d'erreurs et de modifications techniques! | Onder voorbehoud van vergissingen en technische wijzigingen! | Salvo error o modificación técnica! | Excepto erro ou alteração técnica | Zastrzeżone zmiany techniczne i ewentualne błędy | Omyly a technické změny jsou vyhrazeny! | A muszaki változtatások és tévedések jogát fenntartjuk! | Отсутствие ошибок не гарантируется. Возможны технические изменения. | Chyby a technické zmeny sú vyhradené! | Stand 9835